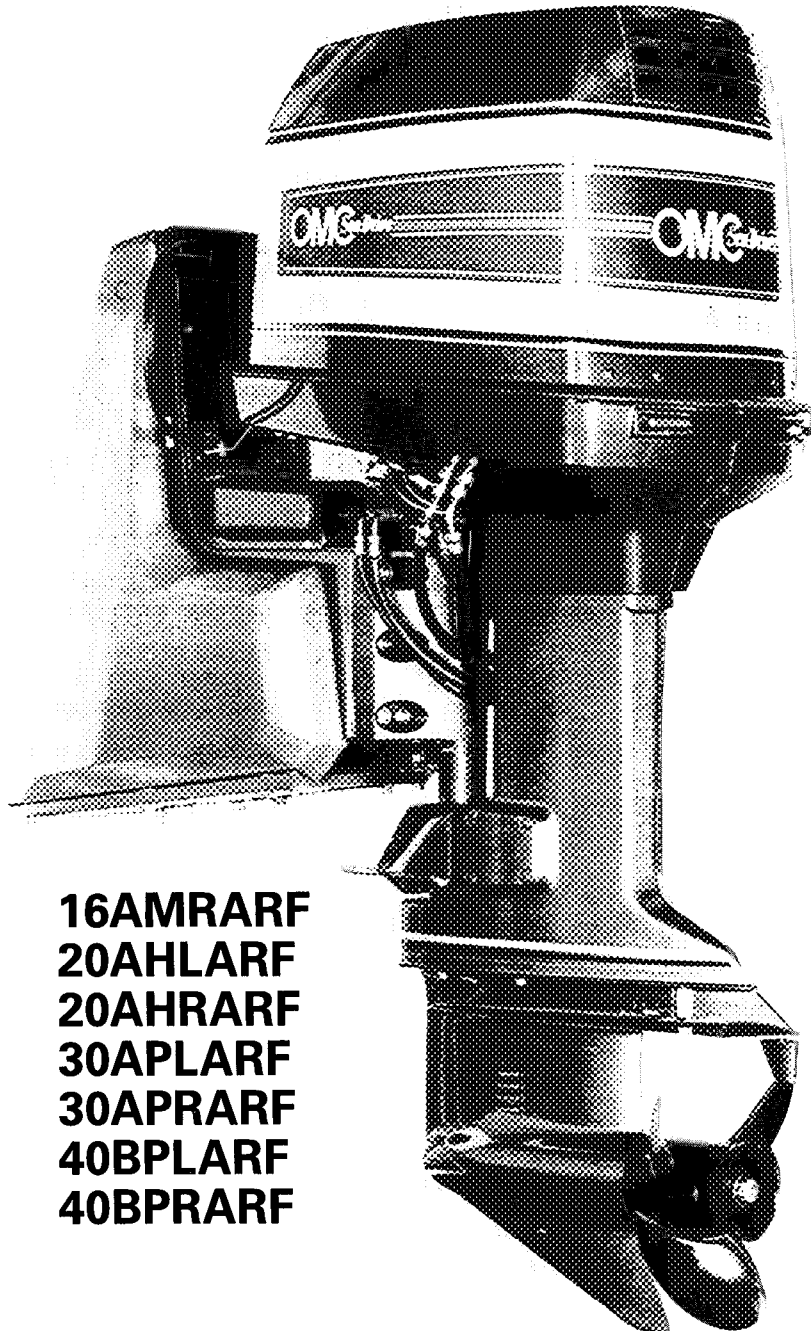


OMC *Sea Drive*[®]

PARTS CATALOG OPTIONAL EQUIPMENT



**16AMRARF
20AHLARF
20AHRARF
30APLARF
30APRARF
40BPLARF
40BPRARF**

FINAL EDITION



SAFETY WARNING

Note

WHEN REPLACEMENT PARTS ARE REQUIRED, USE GENUINE OMC PARTS OR PARTS WITH EQUIVALENT CHARACTERISTICS INCLUDING TYPE, STRENGTH, AND MATERIAL. FAILURE TO DO SO MAY RESULT IN PRODUCT MALFUNCTION AND POSSIBLE INJURY TO THE OPERATOR AND/OR PASSENGERS.

OUTBOARD MARINE CORPORATION, MANUFACTURER OF OMC SEA DRIVE® MARINE POWER SYSTEM, RESERVES THE RIGHT TO MAKE CHANGES AT ANY TIME, WITHOUT NOTICE, IN SPECIFICATIONS AND MODELS AND ALSO TO DISCONTINUE MODELS. THE RIGHT IS ALSO RESERVED TO CHANGE ANY SPECIFICATIONS OR PARTS AT ANY TIME WITHOUT INCURRING ANY OBLIGATION TO EQUIP SAME ON MODELS MANUFACTURED PRIOR TO DATE OF SUCH CHANGE.

WHILE THE INFORMATION CONTAINED IN THIS PARTS CATALOG IS BASED ON THE LATEST PRODUCT INFORMATION AVAILABLE AT THE TIME OF PUBLICATION, THE CONTINUING ACCURACY OF THIS PARTS CATALOG CANNOT BE GUARANTEED.

ALL ILLUSTRATIONS USED IN THIS PARTS CATALOG MAY NOT DEPICT ACTUAL MODELS OR EQUIPMENT AND ARE INTENDED AS REPRESENTATIVE VIEWS FOR REFERENCE ONLY.

Note

THIS PARTS CATALOG SHOULD NOT BE USED IN LIEU OF A SERVICE MANUAL. ORDER YOUR SERVICE MANUAL OR OWNER'S MANUAL FROM YOUR NEAREST MARKETING DIVISION, SEE REAR COVER.

SUPPLY MODEL AND SERIAL NUMBER OF ENGINE FROM NAMEPLATE ATTACHED TO THE LOWER ENGINE COVER WHEN REQUESTING A SERVICE MANUAL OR OWNER'S MANUAL.

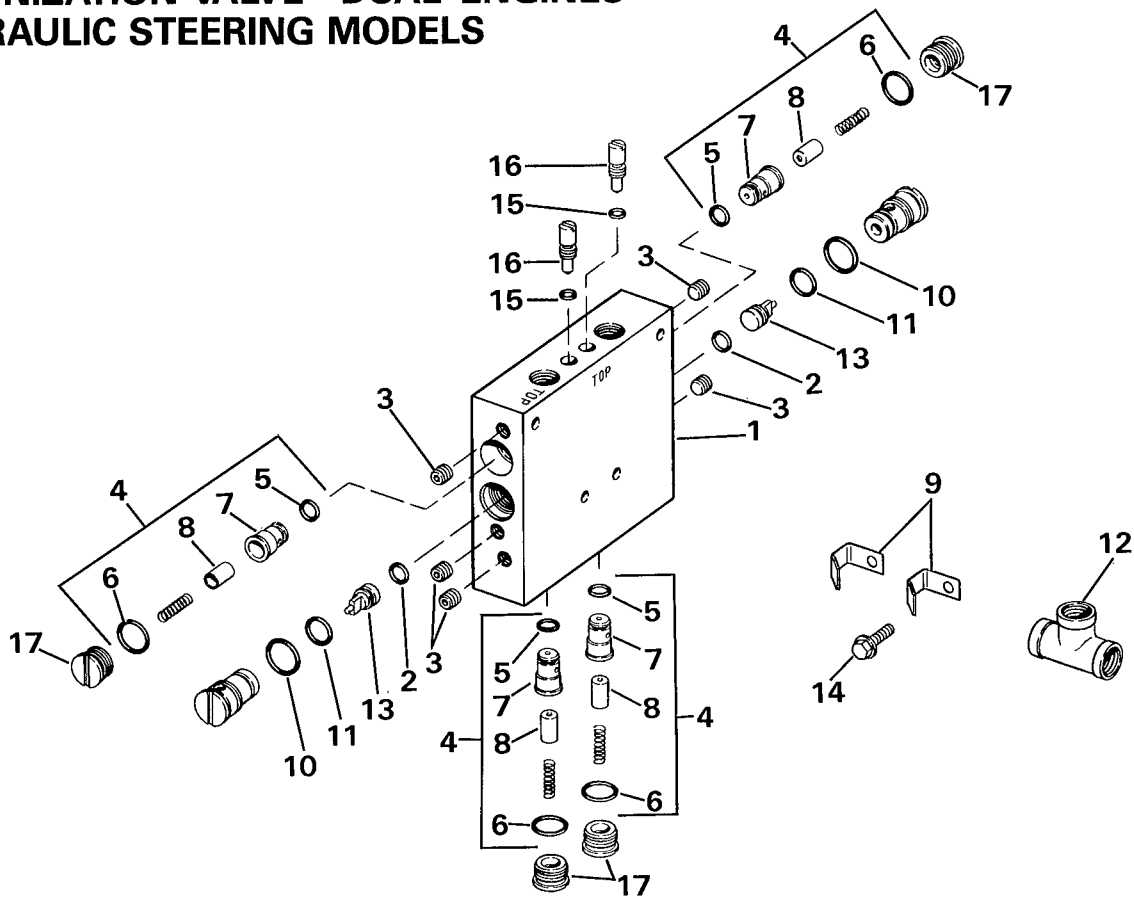
TABLE OF CONTENTS

	PAGE
SYNCHRONIZATION VALVE - DUAL ENGINES.....	4
DUAL CABLE STEERING KIT.....	4
THRU TRANSOM KIT.....	5
WIRING KIT - SINGLE LEVER CONTROLS WITHOUT EMERGENCY IGNITION CUTOFF SWITCH.....	5
SELECTRIM™ CABLE ASSEMBLY.....	6
CABLE ASSEMBLY - BATTERY TO JUNCTION BOX.....	6
EXTENSION CABLE - INSTRUMENTS.....	6
EXTENSION CABLE - TRIM.....	6
SECOND STATION CABLE KIT - SELECTRIM/TILT.....	6
SECOND STATION CABLE KIT - INSTRUMENTS.....	7
TRIM/TILT SWITCH & BEZEL KIT - DUAL ENGINE.....	7
TRIM/TILT SWITCH CONVERSION KITS.....	7
QUARTACH® TACHOMETER - FLUSH MOUNT - DIGITAL - PLUG-IN.....	8
QUARTACH TACHOMETER - FLUSH MOUNT - DIGITAL - NON PLUG-IN.....	8
PLUG-IN CONNECTOR KIT.....	9
TACHOMETER KIT - FLUSH MOUNT - ANALOG - NON PLUG-IN....	9
SPEEDOMETER KIT - FLUSH MOUNT.....	10
WATER PRESSURE GAUGE KIT..	11
TRIM/TILT GAUGE KITS.....	11
WATER TEMPERATURE GAUGE KIT.....	12
OIL LEVEL GAUGE & SENDING UNIT.....	12
FUEL GAUGE KIT	13
VOLTMETER KIT	13
HOUR METER KIT..	13
PRIMER PUMP KIT	14
ELECTRIC PRIMER PUMP ASSEMBLY.....	14
PRIMER BULB KIT.....	15
FUEL FILTER.....	15
REMOTE OIL FILL KIT	15
VRO® OIL TANK KITS - 1.8 & 3.0 GALLON.....	16
VRO DUAL OIL TANK PICKUP KIT..	17
OMC SNAP-IN® CABLES.....	17
REMOTE CONTROLS.	18, 19

E S NO	PAINT	SPRAY	1 QT CAN
1655	PRIMER	172757	376015
1730	CHARCOAL	395127	N/A
1748	BLACK	330446	330445
1766	SILVER GRAY	282988	N/A

INDENTED PART NAMES INDICATE THAT THESE PARTS ARE INCLUDED IN PRECEDING ASSEMBLY
 SPECIFY MODEL AND SERIAL NUMBER OF ENGINE WHEN ORDERING PARTS
 ORDER ALL PARTS FROM YOUR LOCAL AUTHORIZED DEALER
 PART NUMBERS NEW FOR THIS MODEL YEAR CAN BE IDENTIFIED
 BY THE BOX SYMBOL ■ IN NAME OF PART COLUMN

SYNCHRONIZATION VALVE - DUAL ENGINES - ALL HYDRAULIC STEERING MODELS



893279

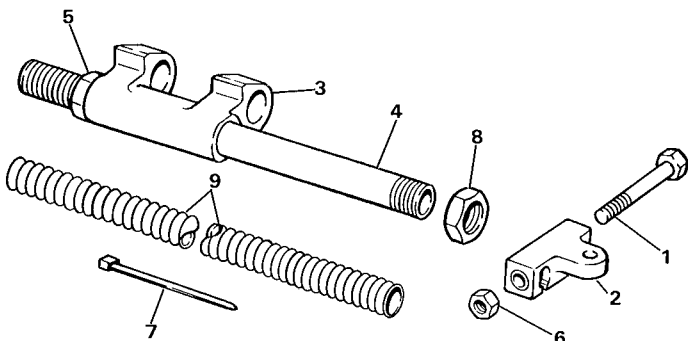
ACS00042
10-31-88

C D Opt

Ref.	P/N	Name of Part	Qty.
1	983430	SYNCHRONIZATION VALVE ASSY.	1
2	202893	. O-RING	2
3	321164	. PLUG	5
4	984163	. VALVE ASSY...	4
5	202893	.. O-RING	1
6	326649	.. O-RING	1
7	911620	.. SEAT	1
8	983786	.. VALVE CORE & SEAL ASSY	1
9	911313	. STOP	2

Ref.	P/N	Name of Part	Qty.
10	319344	. O-RING	2
11	611835	. O-RING <i>715352 1/4</i>	2
12	910877	. TEE, Steering lines	1
13	910873	. PISTON, Flow control	2
14	911321	. SCREW, Spacer	1
15	305739	. O-RING	2
16	911254	. NEEDLE VALVE	2
17	910866	. RETAINER	4

DUAL CABLE STEERING KIT - PARALLEL ENTRY - 1.6 LITRE MECHANICAL STEERING



ACS00043
10-31-88

C D Opt

Ref.	P/N	Name of Part	Qty.
1	123346	SCREW	1
2	123607	CONNECTOR	1
*	983417	TUBE & BRACKET ASSY.	1
3	911242	. MOUNTING BRACKET	1
4	911175	. TUBE, Steering..	1
5	911183	. NUT	1
6	315077	LOCKNUT	1
7	317893	TIE STRAP	2
8	983678	NUT & WIPER ASSY...	1
9	912784	JACKET, Steering cable.	1

843044

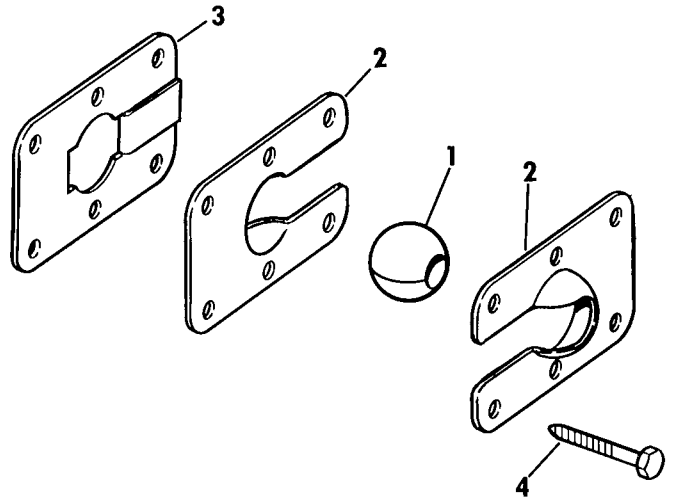
* Not Shown

THRU TRANSOM KIT - 1.6 LITRE MECHANICAL STEERING

ACS00044
10-31-88

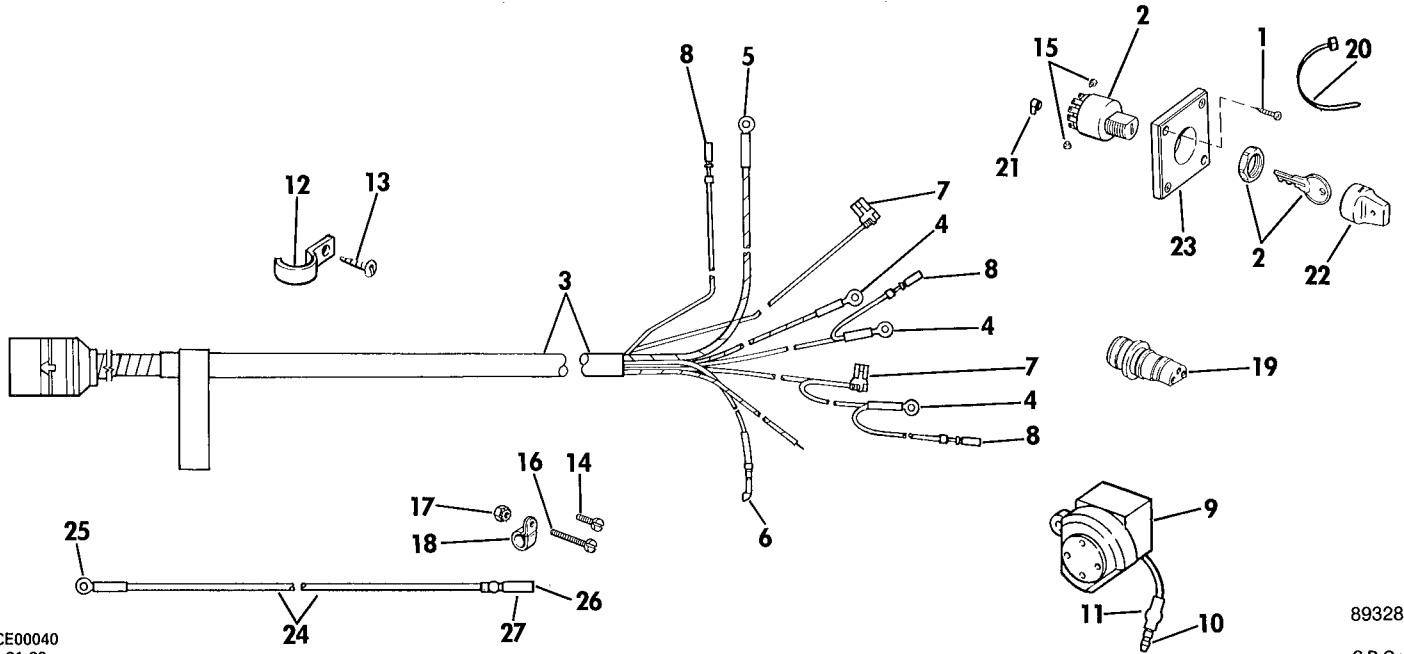
C D Opt

Ref.	P/N	Name of Part	Qty.
1	911177	SEAL, Steering cable	1
2	911178	PLATE, Steering cable	2
3	911180	SEAL, Plate	1
4	910987	SCREW	6



834016

WIRING KIT - SINGLE LEVER CONTROLS WITHOUT EMERGENCY IGNITION CUTOFF SWITCH - ALL MODELS



ACE00040
10-31-88

893280

C D Opt

Ref.	P/N	Name of Part	Qty.
*	174840	WIRING KIT, Single engine, 20 ft.	1
*	174839	WIRING KIT, Single engine, 28 ft.	1
1	125308	. SCREW, Bezel mounting	2
2	393301	. SWITCH & KEY ①	1
3	173826	. INSTRUMENT CABLE ASSEMBLY, 20 ft. ②	1
3	174139	. INSTRUMENT CABLE ASSEMBLY, 28 ft. ③	1
4	510780	.. TERMINAL, Ring	3
5	204038	.. TERMINAL, Ring	1
6	308808	.. TERMINAL, Knife	1
7	309437	.. TERMINAL, Flag.	2
8	581656	.. TERMINAL, Socket.	3
9	583931	.. HORN ASSEMBLY	1
10	512947	.. TERMINAL, Bullet	1
11	513185	.. SLEEVE, Bullet terminal	1

Ref.	P/N	Name of Part	Qty.
12	304494	. CLAMP, Cable to boat	4
13	305009	. SCREW, Cable clamp to boat	4
14	306286	. SCREW, Clamp to dash & horn	2
15	306559	. SCREW, Ign. switch term.	6
16	307190	. SCREW, Clamp to dash	1
17	308335	. NUT, Screw, clamps	2
18	316669	. CLAMP, Loop, cable to dash	2
19	511990	. CONNECTOR, 3-pin	1
20	317893	. TIE STRAP, Push knob	1
21	123975	. COVER, Switch terminal.	1
22	332179	. PUSH KNOB	1
23	125312	. BEZEL, Ignition	1
24	174885	. LEAD ASSY, Horn to ign switch.	1
25	510780	.. TERMINAL, Ring	1
26	512876	.. TERMINAL, Socket	1
27	513186	.. SLEEVE, Receptacle	1

* Not Shown

① See Service Bulletin for Key Ordering Information

② Included in Wiring Kit P/N 174840 Only

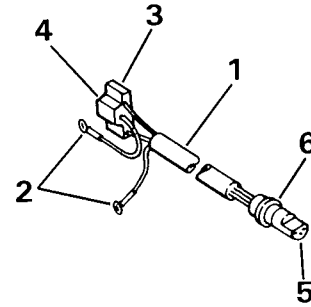
③ Included in Wiring Kit P/N 174839 Only

SELECTRIM CABLE - ALL MODELS

ACE00041
11-01-88

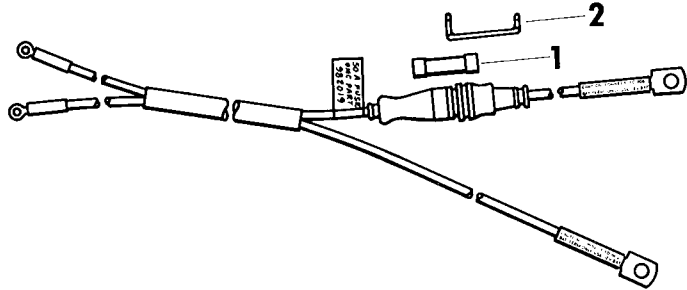
C D Opt

Ref.	P/N	Name of Part	Qty.
1	174348	CABLE ASSEMBLY, 20 ft.	1
2	204036	. TERMINAL, Ring	2
3	309474	. CONNECTOR	1
4	309433	. TERMINAL	3
5	581656	. TERMINAL, Socket	3
6	512747	. CONNECTOR	1



873119

CABLE ASSEMBLY - BATTERY TO JUNCTION BOX - ALL MODELS



834090

ACE00042
11-01-88

C D Opt

Ref.	P/N	Name of Part	Qty.
*	983601	CABLE ASSEMBLY KIT	1
1	982019	. FUSE	1
2	910330	. RETAINER	1

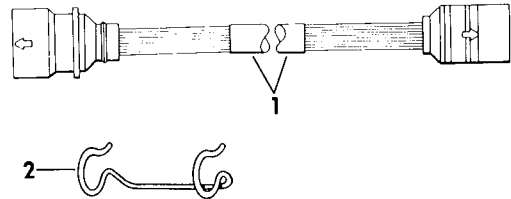
* Not Shown

EXTENSION CABLE - INSTRUMENTS - ALL MODELS

ACE00043
11-01-88

C D Opt

Ref.	P/N	Name of Part	Qty.
1	173771	CABLE ASSEMBLY, 10 ft	1
2	315182	. CLAMP	1

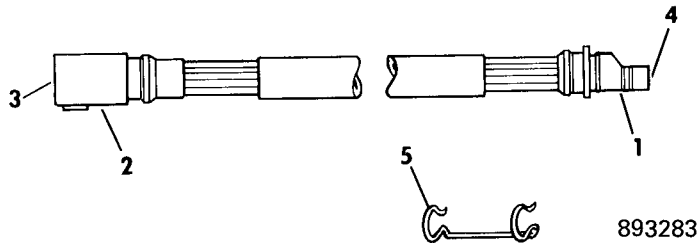


33819

EXTENSION CABLE - TRIM - ALL MODELS

ACE00044
11-01-88

C D Opt



893283

Ref.	P/N	Name of Part	Qty.
*	984310	CABLE ASSEMBLY, 10 ft.	1
1	512747	. CONNECTOR	1
2	512748	. CONNECTOR	1
3	511469	. TERMINAL, Pin	3
4	581656	. TERMINAL, Socket	3
5	512742	. RETAINER	1

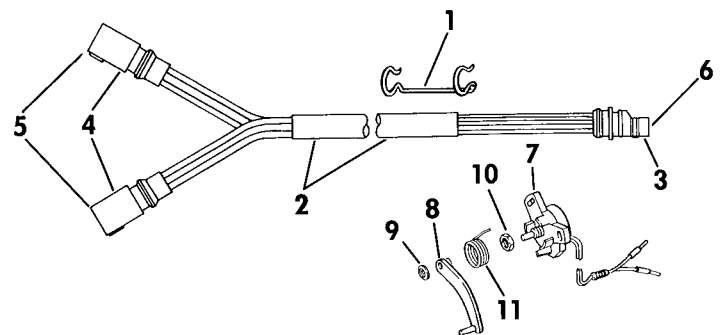
* Not Shown

SECOND STATION CABLE KIT - SELECTRIM/TILT - ALL MODELS

ACE00045
11-01-88

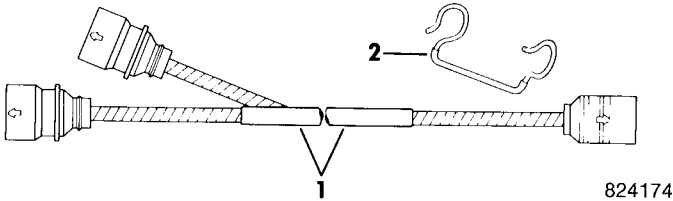
C D Opt

Ref.	P/N	Name of Part	Qty.
1	512742	RETAINER	2
2	984284	CONNECTOR ASSEMBLY.	1
3	512747	. CONNECTOR	1
4	512748	. CONNECTOR	2
5	511469	. TERMINAL, Pin	6
6	581656	. TERMINAL, Socket	3
7	985079	SENDING UNIT	1
8	912602	. ARM	1
9	511527	. RETAINER	1
10	320689	. NUT	1
11	910790	. SPRING	1



863026

SECOND STATION CABLE KIT - INSTRUMENTS



ACE00046
11-01-88

C D Opt

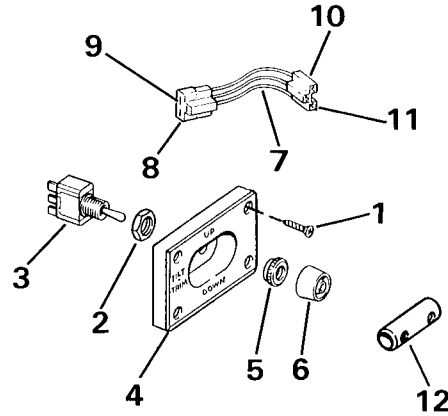
Ref.	P/N	Name of Part	Qty.
1	983017	CABLE ASSEMBLY	1
2	315182	. CLAMP	2

TRIM/TILT SWITCH & BEZEL KIT - DUAL ENGINE

ACM00002
11-01-88

Accy ,C D Opt

Ref.	P/N	Name of Part	Qty.
*	174642	TRIM/TILT CONVERSION KIT - DUAL ENGINE	1
1	125308	. SCREW, Bezel	4
2	900185	. NUT	2
3	976443	. SWITCH, Power tilt	2
4	125311	. BEZEL, Trim switch	1
5	310782	. NUT, Switch	2
6	310781	. COVER, Switch.	2
7	389726	. TILT/TRIM CABLE KIT.	2
8	313113	. . CONNECTOR	1
9	825886	. . TERMINAL	3
10	311742	. . CONNECTOR	1
11	511656	. . TERMINAL	3
12	125106	. HANDLE	1



881308

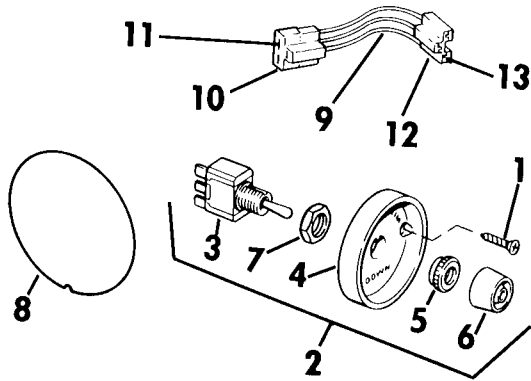
* Not Shown

TRIM/TILT SWITCH CONVERSION KIT

ACM00003
11-01-88

Accy ,C D Opt

Ref.	P/N	Name of Part	Qty.
*	174290	TRIM/TILT CONVERSION KIT	1
1	122481	. SCREW, Bezel	2
2	172899	. TRIM SWITCH ASSEMBLY	1
3	976443	. . SWITCH, Power tilt	1
4	122849	. . BEZEL, Trim switch	1
5	310782	. . NUT, Switch	1
6	310781	. . COVER, Switch	1
7	900185	. . NUT	1
8	327490	. APPLIQUE	1
9	389726	. TILT/TRIM CABLE KIT	1
10	313113	. . CONNECTOR	1
11	825886	. . TERMINAL	3
12	311742	. . CONNECTOR	1
13	511656	. . TERMINAL	3



822077

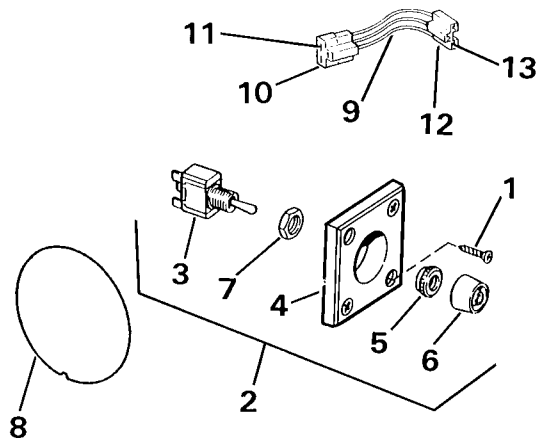
* Not Shown

TRIM/TILT SWITCH CONVERSION KIT

ACM00004
11-01-88

Accy ,C D Opt

Ref.	P/N	Name of Part	Qty.
*	174752	TRIM/TILT CONVERSION KIT	1
1	125308	. SCREW, Bezel	2
2	174652	. TILT/TRIM SWITCH ASSY.	1
3	976443	. . SWITCH, Power tilt	1
4	125314	. . BEZEL, Trim switch	1
5	310782	. . NUT, Switch	1
6	310781	. . COVER, Switch.	1
7	900185	. . NUT	1
8	327490	. APPLIQUE	1
9	389726	. TILT/TRIM CABLE KIT.	1
10	313113	. . CONNECTOR	1
11	825886	. . TERMINAL	3
12	311742	. . CONNECTOR	1
13	511656	. . TERMINAL	3

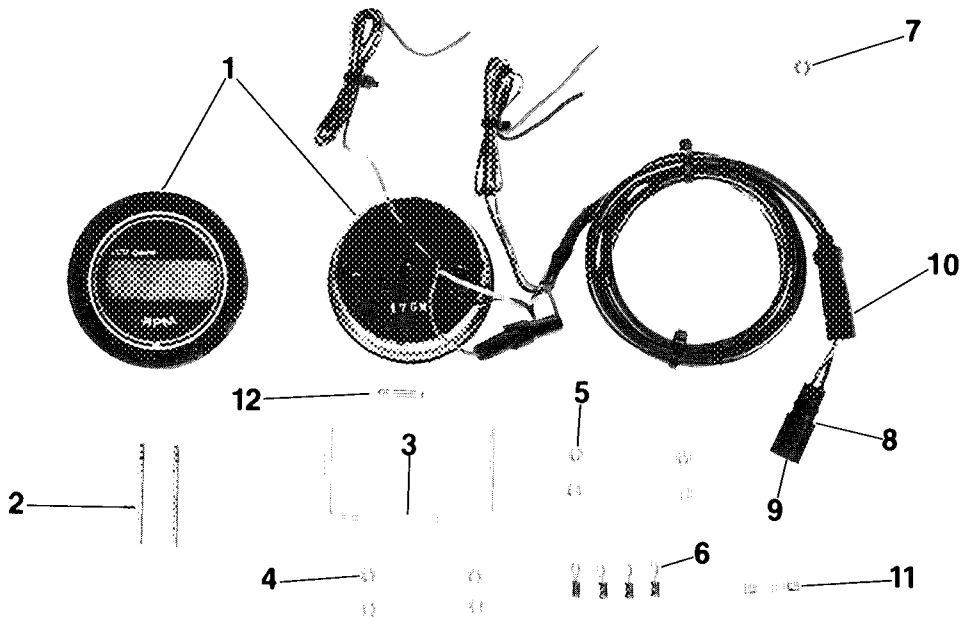


881307

* Not Shown

TECH SERIES ①

QUARTACH® TACHOMETER - FLUSH MOUNT - DIGITAL - PLUG-IN



ACI00046
10-31-88

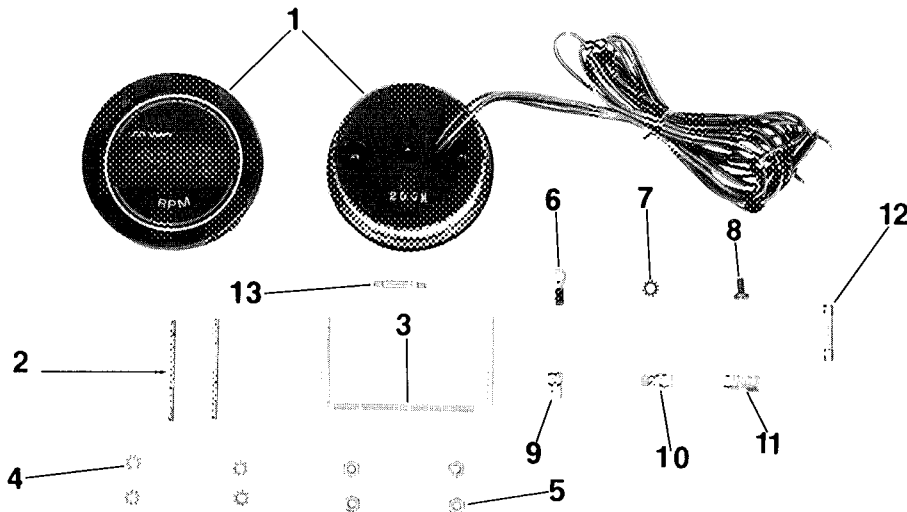
13935

C D Opt

Ref.	P/N	Name of Part	Qty.
1	174625	QUARTACH® TACHOMETER.	1
2	123641	. STUD, Instrument mounting	2
3	123642	. BRACKET, Instrument mounting	1
4	306991	. LOCKWASHER	4
5	133079	. NUT	4
6	124343	. TERMINAL, Ring	4

Ref.	P/N	Name of Part	Qty.
7	303916	. LOCKWASHER, Ground terminal	1
8	511465	. CONNECTOR	1
9	511469	. TERMINAL, Pin	3
10	124280	. BOOT	1
11	123852	. FUSE	1
12	174132	. REPLACEMENT BULB	1

QUARTACH® TACHOMETER - FLUSH MOUNT - DIGITAL - NON-PLUG-IN



ACI00047
10-31-88

13938

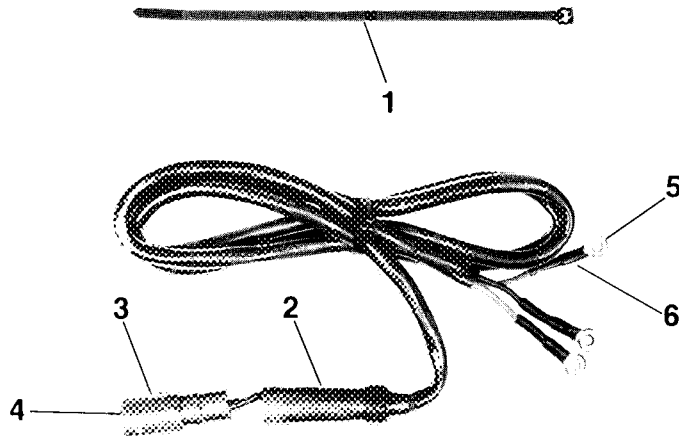
C D Opt

Ref.	P/N	Name of Part	Qty.
1	174738	QUARTACH® TACHOMETER	1
2	123641	. STUD, Instrument mounting	2
3	123642	. BRACKET, Instrument mounting	1
4	306991	. LOCKWASHER	4
5	133079	. NUT	4
6	124343	. TERMINAL, Ring, ground lead	1
7	303916	. LOCKWASHER, Ground terminal	1

Ref.	P/N	Name of Part	Qty.
8	302812	. SCREW, Ground terminal	1
9	309437	. TERMINAL, Flag	1
10	121689	. TERMINAL, Adaptor.	1
11	319984	. ADAPTOR	1
12	123852	. FUSE	1
13	174132	. REPLACEMENT BULB	1

① Distinguished by a red ring on dial face or bezel

PLUG IN CONNECTOR KIT



ACI00003
09-10-88

13937

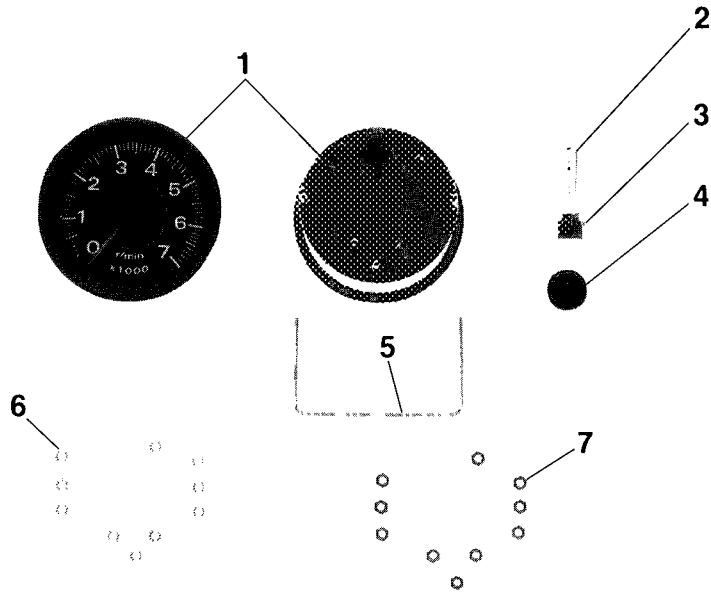
Accy ,C D Opt

Ref.	P/N	Name of Part	Qty.
*	174732	PLUG-IN CONNECTOR KIT.	1
1	320107	. TIE STRAP	1
2	124280	. BOOT.	1
3	511465	. CONNECTOR	1

Ref.	P/N	Name of Part	Qty.
4	511469	. TERMINAL, Pin	3
5	510780	. TERMINAL, Ring	3
6	510781	. SLEEVE, Terminal.	3

* Not Shown

TACHOMETER KIT - FLUSH MOUNT - ANALOG - NON PLUG-IN



ACI00048
10-31-88

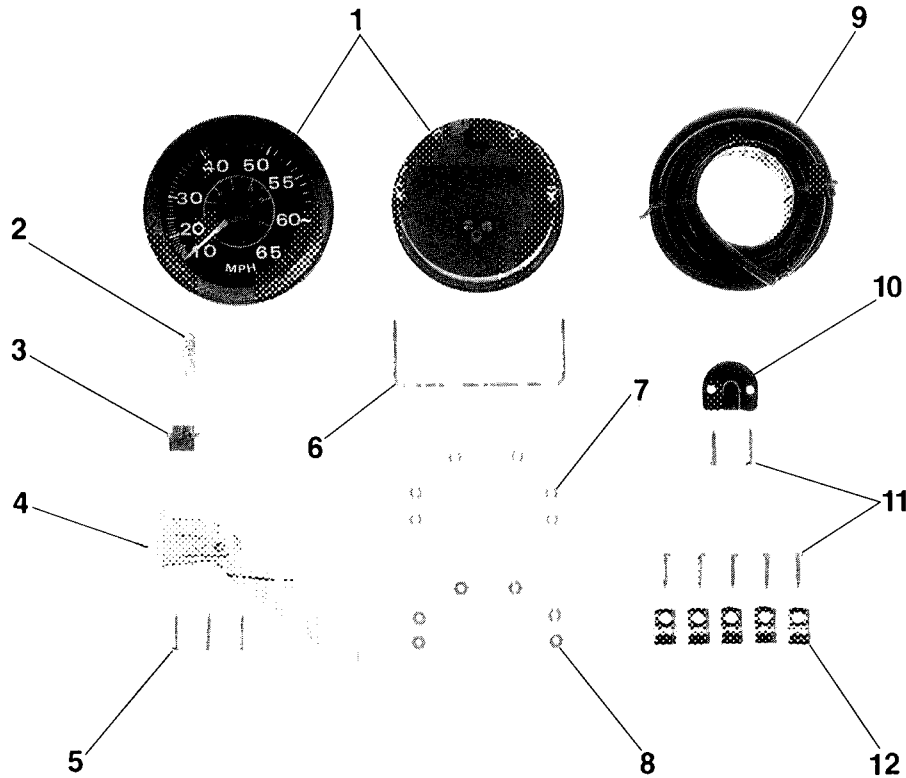
13751

C D Opt

Ref.	P/N	Name of Part	Qty.
1	174985	TACHOMETER ASSY , Black bezel, 7000 RPM, 5, 6 & 10 pulse/rev... ■	1
2	125432	. BULB	1
3	122553	. BULB SOCKET.....	1

Ref.	P/N	Name of Part	Qty.
4	122916	. COVER	1
5	125257	. BRACKET, Instrument mounting ..	1
6	125411	. LOCKWASHER	10
7	125410	. NUT.	10

SPEEDOMETER KIT - FLUSH MOUNT



DR2325

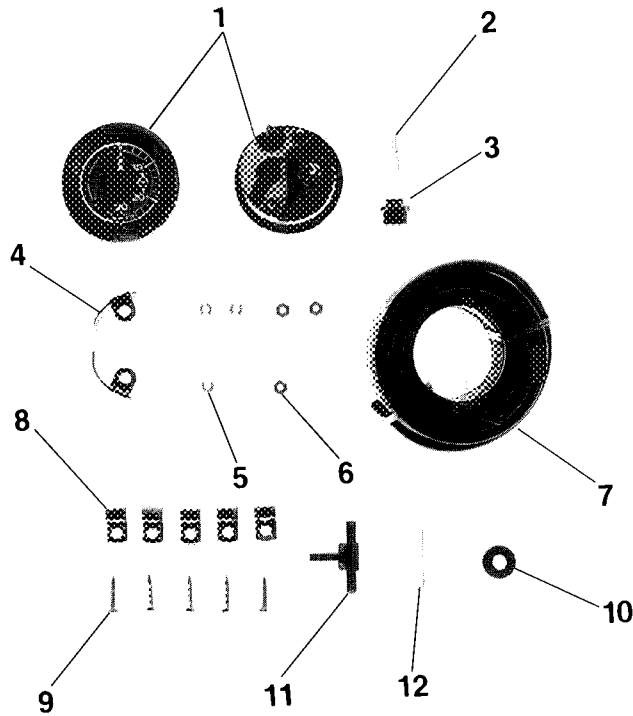
ACI00049
10-31-88

C D Opt

Ref.	P/N	Name of Part	Qty.
1	174593	SPEEDOMETER KIT, Black bezel, 65 MPH/KPH	1
2	125432	. BULB	1
3	122553	. BULB SOCKET	1
4	173623	. PITOT TUBE ASSEMBLY	1
5	122822	. . SCREW, Pitot tube mounting	3
6	125219	. BRACKET, Instrument mounting	1
7	125411	. LOCKWASHER	6

Ref.	P/N	Name of Part	Qty.
8	125410	. NUT	6
9	121829	. HOSE, Speedometer	1
10	121828	. GUARD, Speedometer hose, thru transom	1
11	310115	. SCREW, Hose clamps & guard mounting	7
12	120001	. CLAMP, Hose	5

WATER PRESSURE GAUGE KIT



ACI00050
10-31-88

C D Opt

Ref.	P/N	Name of Part	Qty.
1	174678	WATER PRESSURE GAUGE KIT, 0-30 psi	1
2	125432	. BULB	1
3	122553	. BULB SOCKET	1
4	125409	. BRACKET	1
5	125411	. LOCKWASHER	3
6	125410	. NUT	3
7	121829	. HOSE, Water pressure gauge . .	1
8	120001	. CLAMP, Hose	5
9	310115	. SCREW, Hose clamp	5
10	307417	. GROMMET	1
11	123553	. CONNECTOR, Tee	1
12	123692	. CONNECTOR, Hose, water press . . .	1

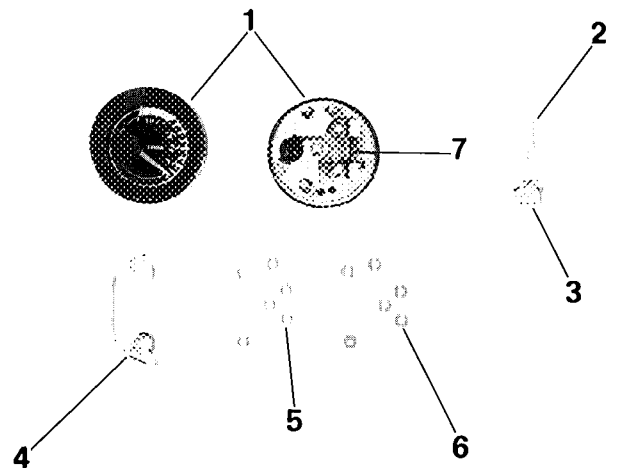
DR2326

TRIM/TILT GAUGE KIT

ACI00051
10-31-88

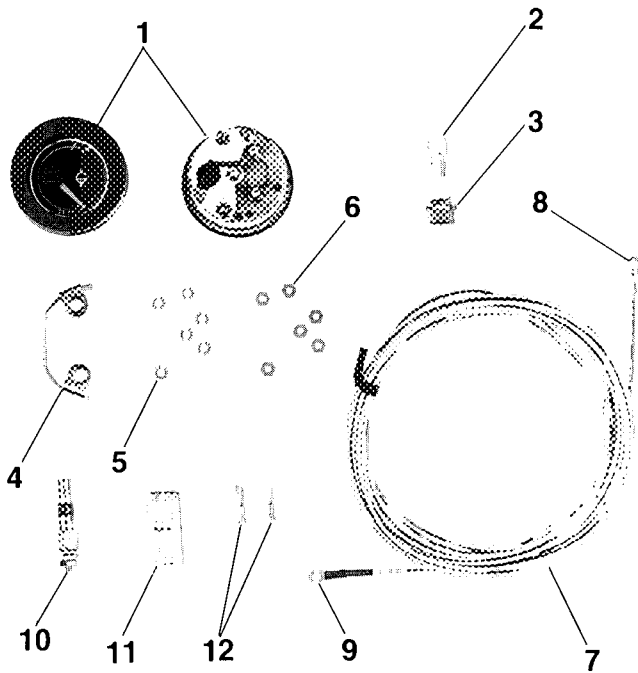
C D Opt

Ref.	P/N	Name of Part	Qty.
1	174748	TRIM/TILT GAUGE KIT	1
2	125432	. BULB	1
3	122553	. BULB SOCKET	1
4	125409	. BRACKET, Instrument mounting . .	1
5	125411	. LOCKWASHER	6
6	125410	. NUT	6
7	125541	. RESISTOR, 88 Ohms	1



DR2804

WATER TEMPERATURE GAUGE KIT



ACI00052
10-31-88

C D Opt

Ref.	P/N	Name of Part	Qty.
1	174682	WATER TEMP. GAUGE KIT..	1
2	125432	. BULB	1
3	122553	. BULB SOCKET	1
4	125409	. BRACKET, Instrument mounting .	1
5	125411	. LOCKWASHER	6
6	125410	. NUT	6
7	174676	. LEAD ASSEMBLY	1
8	204036	. . TERMINAL, Ring	1
9	510904	. . TERMINAL, Ring	1
10	174675	. SENDING UNIT ASSEMBLY	1
11	122787	. BRACKET, Sending unit mtg	1
12	308808	. TERMINAL, Knife	2

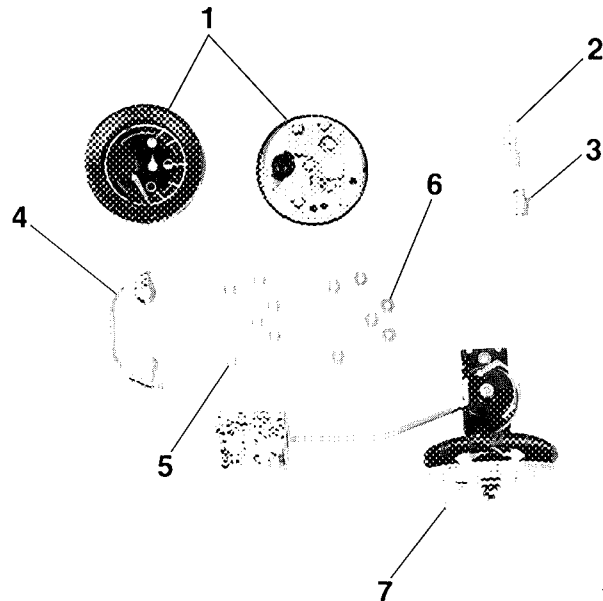
13791

OIL LEVEL GAUGE & SENDING UNIT - ALL VRO® OIL TANKS

ACI00010
11-01-88

Accy ,C D Opt

Ref.	P/N	Name of Part	Qty.
1	174684	OIL LEVEL GAUGE KIT	1
2	125432	. BULB	1
3	122553	. BULB SOCKET	1
4	125409	. BRACKET, Instrument mounting .	1
5	125411	. LOCKWASHER	6
6	125410	. NUT	6
7	173948	. SENDER ASSEMBLY	1

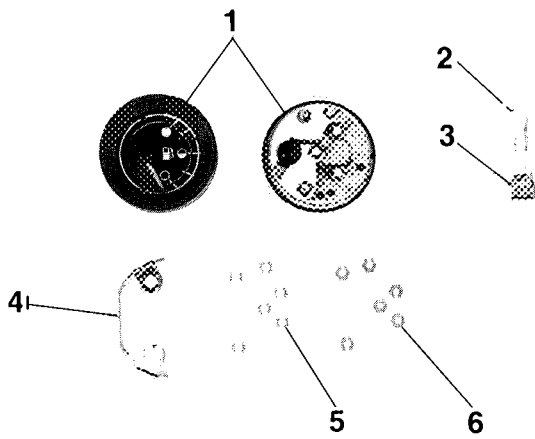


13793

FUEL GAUGE KIT

ACI00053
10-31-88

C D Opt



Ref.	P/N	Name of Part	Qty.
1	174686	FUEL GAUGE KIT	1
2	125432	. BULB	1
3	122553	. BULB SOCKET	1
4	125409	. BRACKET, Instrument mounting . .	1
5	125411	. LOCKWASHER	6
6	125410	. NUT	6

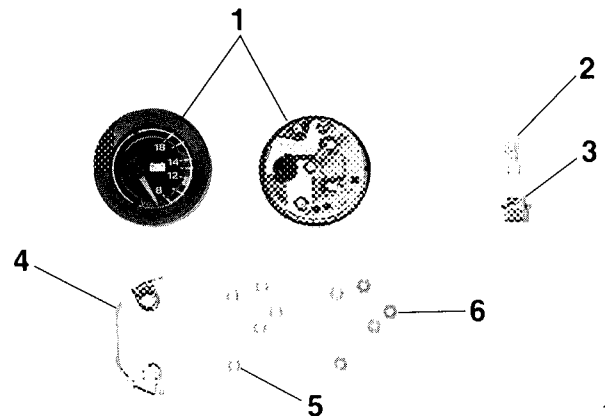
13795

VOLTMETER KIT

ACI00054
10-31-88

C D Opt

Ref.	P/N	Name of Part	Qty.
1	174687	VOLTMETER KIT	1
2	125432	. BULB	1
3	122553	. BULB SOCKET	1
4	125409	. BRACKET, Instrument mounting . .	1
5	125411	. LOCKWASHER	5
6	125410	. NUT	5

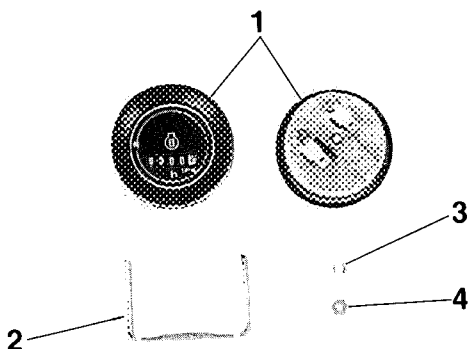


13796

HOUR METER KIT

ACI00055
10-31-88

C D Opt



Ref.	P/N	Name of Part	Qty.
1	174688	HOUR METER KIT	1
2	125412	. BRACKET, Instrument mounting . .	1
3	303701	. LOCKWASHER, Instrument mtg	1
4	328712	. NUT, Instrument mounting	1

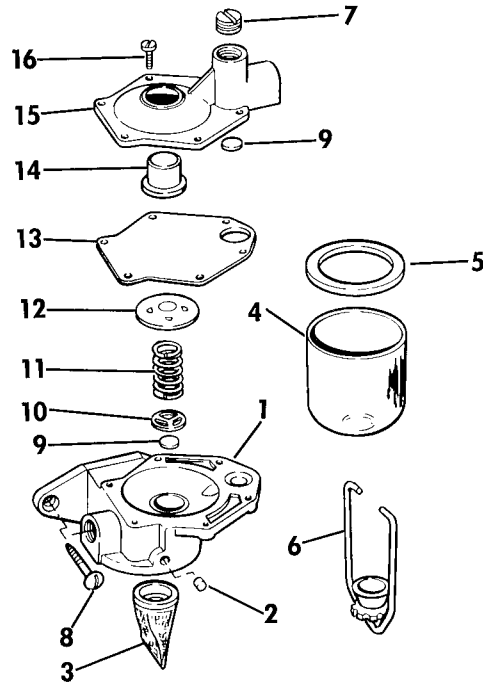
13775

PRIMER PUMP KIT - 1.6 LITRE MODELS ONLY

ACF00043
11-01-88

C D Opt

Ref.	P/N	Name of Part	Qty.
1	984867	PRIMER PUMP KIT ASSY	1
2	305243	. PLUG, Core	1
3	305185	. FILTER, Fuel	1
4	330810	. BOWL, Filter	1
5	333449	. GASKET	1
6	389686	. THUMB NUT & YOKE ASSY	1
7	324076	. PLUG, Pipe.	1
8	303675	. SCREW, Wood	2
9	303614	. VALVE, Disc	2
10	303420	. RETAINER, Valve	1
11	301803	. SPRING	1
12	305714	. SUPPORT	1
13	333451	. DIAPHRAGM	1
14	305713	. BUTTON, Push	1
15	305717	. HOUSING	1
16	306431	. SCREW	6

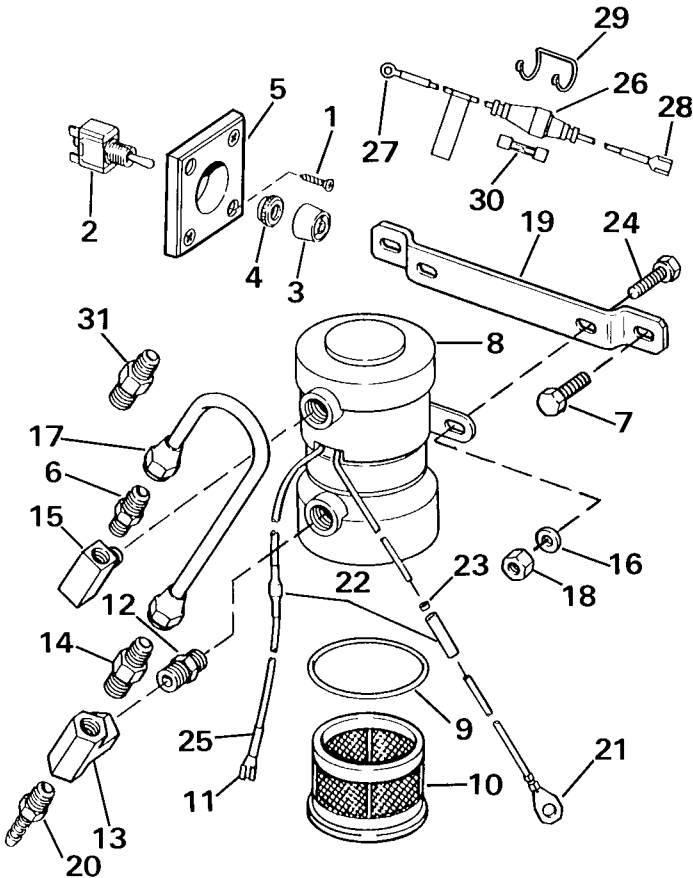


834013

ELECTRIC PRIMER PUMP ASSY. - ALL MODELS

ACF00044
11-01-88

C D Opt



Ref.	P/N	Name of Part	Qty.
*	174651	ELECTRIC PRIMER PUMP ASSY	1
1	125308	. SCREW, Bezel	2
2	393125	. SWITCH, Primer.	1
3	310781	. COVER, Switch	1
4	310782	. NUT, Switch	1
5	125318	. BEZEL, Primer switch	1
6	329586	. FLANGE, Connection	1
7	124073	. LAG SCREW	2
8	398390	. FUEL PUMP ASSY	1
8	398391	. FUEL PUMP	1
9	333417	. O-RING	1
10	333416	. FILTER, Pump	1
11	511828	. TERMINAL	1
12	329587	. FITTING, Reducer	1
13	329589	. TEE, Large	1
14	394302	. CHECK VALVE	1
15	329588	. TEE, Small	1
16	328702	. WASHER	2
17	394303	. FUEL LINE ASSY.	1
18	328740	. NUT	2
19	330548	. BRACKET, Mounting	1
20	330552	. FITTING, Inlet	1
21	204053	. TERMINAL, Ring	1
22	320597	. TUBING	2
23	510952	. SPLICE	2
24	304027	. SCREW	2
25	510781	. TUBE	1
26	582955	. LEAD ASSY	1
27	310502	. TERMINAL, Ring	1
28	511828	. TERMINAL	1
29	321077	. RETAINER	1
30	512129	. FUSE, 5 amp	1
31	330457	. CONNECTOR	1

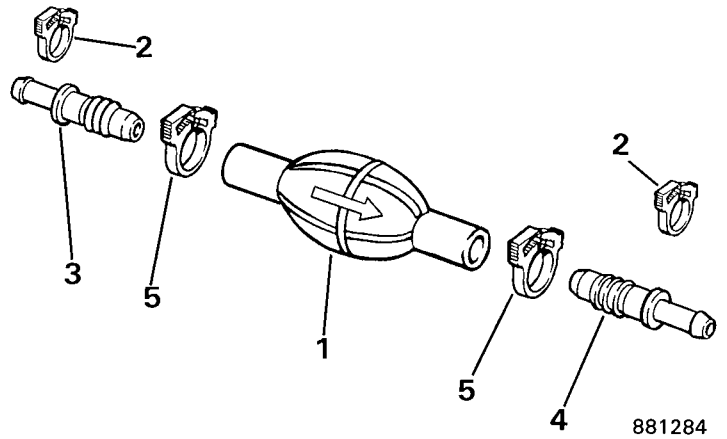
881286 * Not Shown

PRIMER BULB KIT - 3/8 IN. I.D. HOSE

ACF00018
11-01-88

Accy ,C D Opt

Ref.	P/N	Name of Part	Qty.
1	174512	PRIMER BULB ASSY..	1
2	329654	. HOSE CLAMP	2
3	398455	. NIPPLE & VALVE ASSY , Inlet	1
4	398456	. NIPPLE & VALVE ASSY , Outlet	1
5	553166	. HOSE CLAMP	2

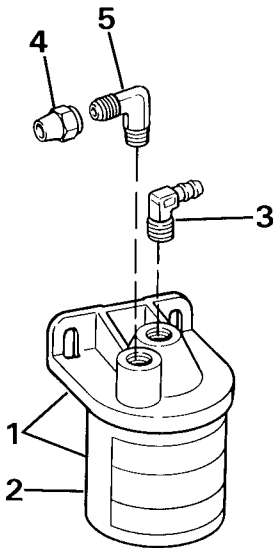


FUEL FILTER

ACF00027
11-01-88

Accy ,C D Opt

Ref.	P/N	Name of Part	Qty.
1	174176	OMC FUEL FILTER ASSY. . .	1
2	174144	. ELEMENT	1
*	174177	ELBOW KIT	2
3	909985	. ELBOW	1
*	174178	ELBOW KIT	1
4	303608	. FLARE NUT	1
5	124511	. ELBOW, 90°	1



851234

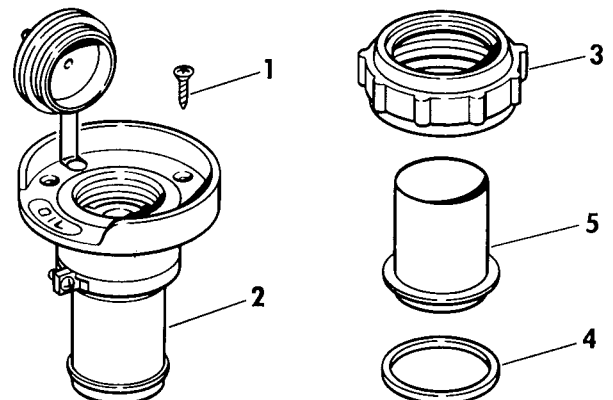
REMOTE OIL FILL KIT - 1.8 & 3.0 GALLON TANK

ACM00045
11-01-88

C D Opt

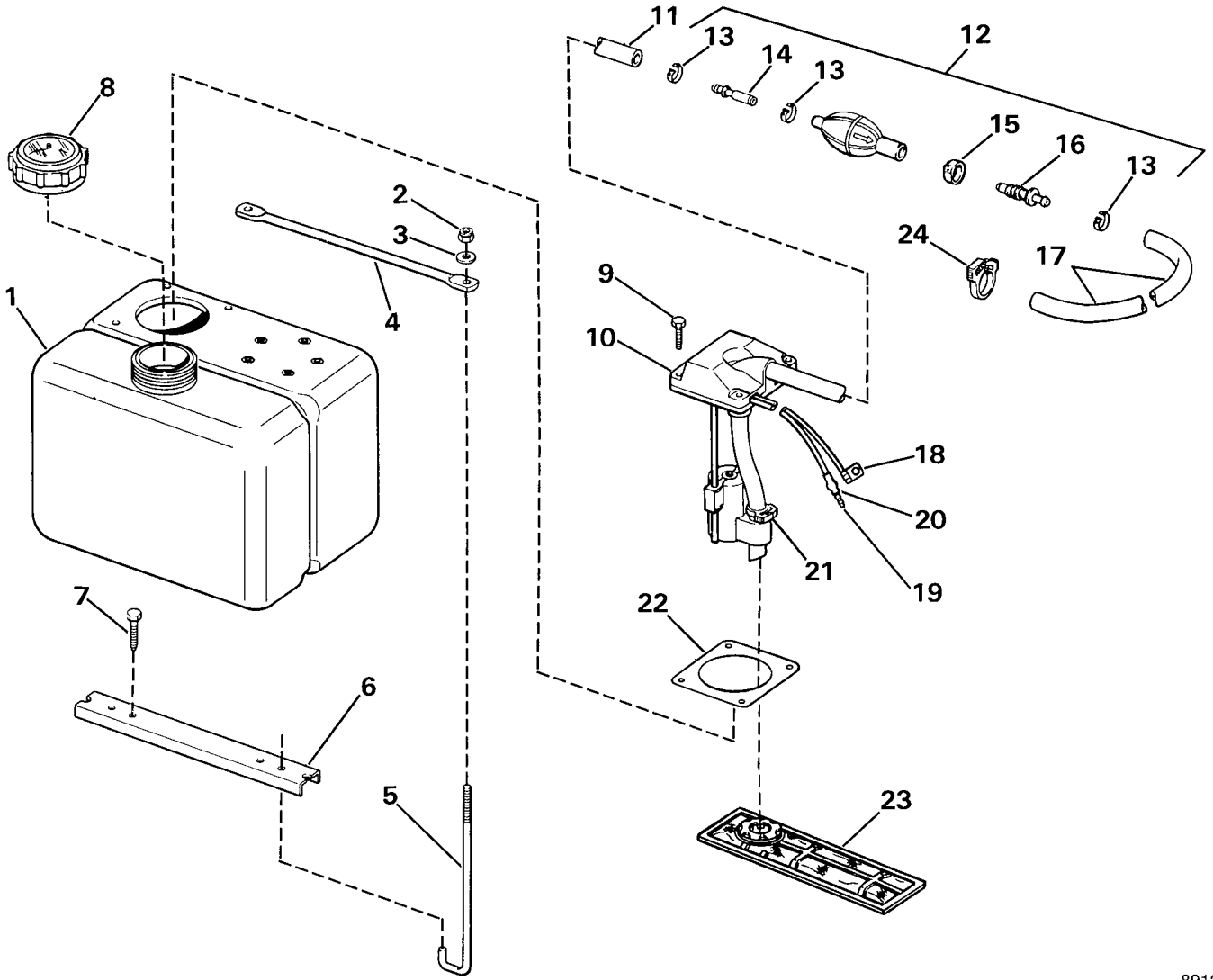
Ref.	P/N	Name of Part	Qty.
*	174133	REMOTE OIL FILL KIT	1
1	123678	. SCREW, Mounting	3
2	174138	. VENT & DECK PLATE	1
3	124390	. CAP, Oil fill	1
4	124388	. GASKET.....	1
5	124389	. TUBE	1
*	123956	FILL HOSE, 25 ft. roll	AR
*	123955	VENT HOSE	AR

* Not Shown



832159

VRO® OIL TANK KIT - 1.8 & 3.0 GALLON



891208

ACM00038
11-04-88

Accy ,C D Opt

Ref.	P/N	Name of Part	Qty.
*	174637	OIL TANK KIT, (1.8 gallon)	1
*	174638	OIL TANK KIT, (3.0 gallon)	1
1	174164	. OIL TANK ASSY, (1.8 gallon)	1
1	174248	. OIL TANK ASSY, (3.0 gallon)	1
2	121470	. LOCKNUT, Hook bolt to cross bar	2
3	121497	. WASHER	2
4	124290	. CROSS BAR, (1.8 gallon)	1
4	124694	. CROSS BAR, (3.0 gallon)	1
5	124291	. HOOK BOLT, (1.8 gallon)	2
5	124691	. HOOK BOLT, (3.0 gallon)	2
6	124292	. BRACKET, Mtg., (1.8 gallon)	1
6	124693	. BRACKET, Mtg., (3.0 gallon)	1
7	124073	. LAG SCREW	2
8	173851	. CAP ASSEMBLY	1
9	124485	. SCREW, Pickup assy to tank	4
10	174659	. OIL PICKUP ASSY, (1.8 gallon)	1
10	174639	. OIL PICKUP ASSY, (3.0 gallon)	1

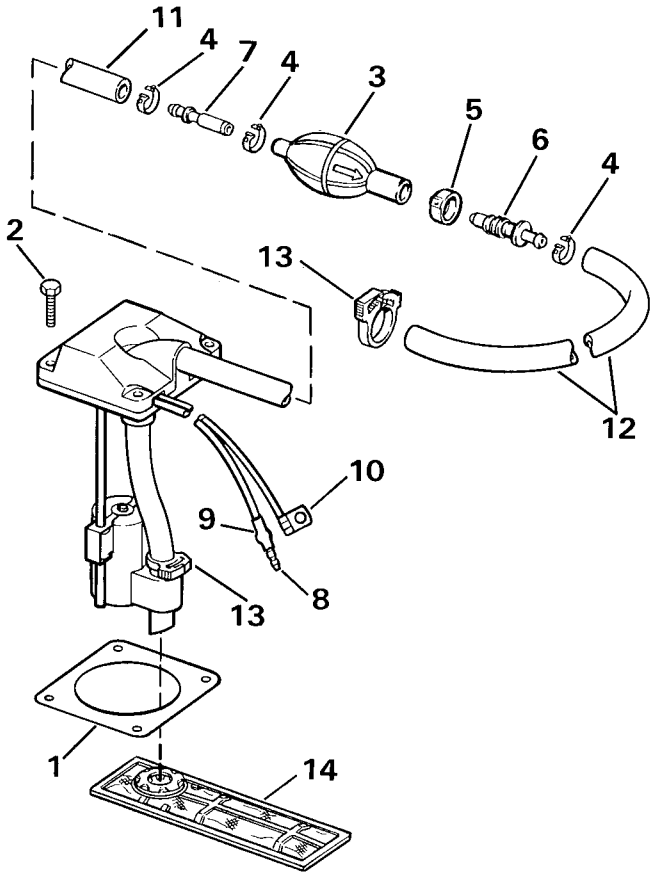
Ref.	P/N	Name of Part	Qty.
11	124472	. . HOSE, Short, 12 in (304mm)	1
12	174157	. . PRIMER BULB ASSY	1
13	303596	. . . CLAMP, Band, small	3
14	396461	. . . VALVE, Inlet	1
15	553166	. . . CLAMP, Band, large	1
16	396462	. . . VALVE, Outlet	1
17	124471	. . HOSE, Long 180 in (4,6m)	1
18	512131	. . TERMINAL, Ring	1
19	125295	. . TERMINAL, Bullet	1
20	125294	. . SLEEVE, Bullet terminal	1
*	510780	. . TERMINAL, Ring, small	1
*	510818	. . TERMINAL, Ring, large	1
21	322654	. . CLAMP, Snap	1
22	123906	. . GASKET	1
23	174377	. . FILTER ASSEMBLY, Oil	1
24	322654	. CLAMP, Snap	1

* Not Shown

VRO® DUAL OIL TANK PICKUP KIT

ACM00046
11-01-88

C D Opt

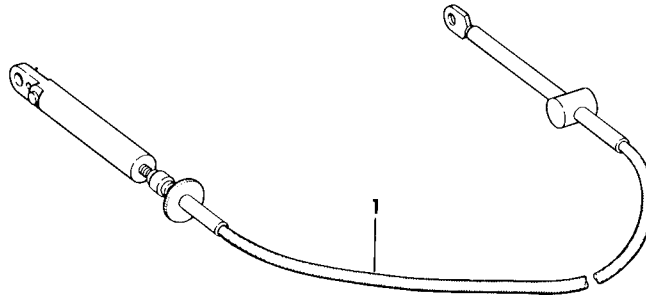


Ref.	P/N	Name of Part	Qty.
*	174639	DUAL OIL TANK PUMP KIT ①	1
1	123906	. GASKET, Pickup.	1
2	124485	. SCREW, Pickup to tank	4
3	174157	. BULB, Primer.	1
4	303596	. . CLAMP, Hose, small	3
5	553166	. . CLAMP, Hose, large	1
6	396462	. . VALVE, Outlet.	1
7	396461	. . VALVE, Inlet.	1
8	125295	. TERMINAL, Bullet	1
9	125294	. SLEEVE	1
10	200179	. TERMINAL, Ring	1
11	124472	. HOSE, Short, 12 in (305mm)	1
12	124471	. HOSE, Long 180 in (4,6mm)	1
13	322654	. HOSE, Clamp.	2
14	174377	. FILTER	1

* Not Shown
① 30 Gallon Tank Only

881310

OMC Snap-In® Cables



ACR00045
11-01-88

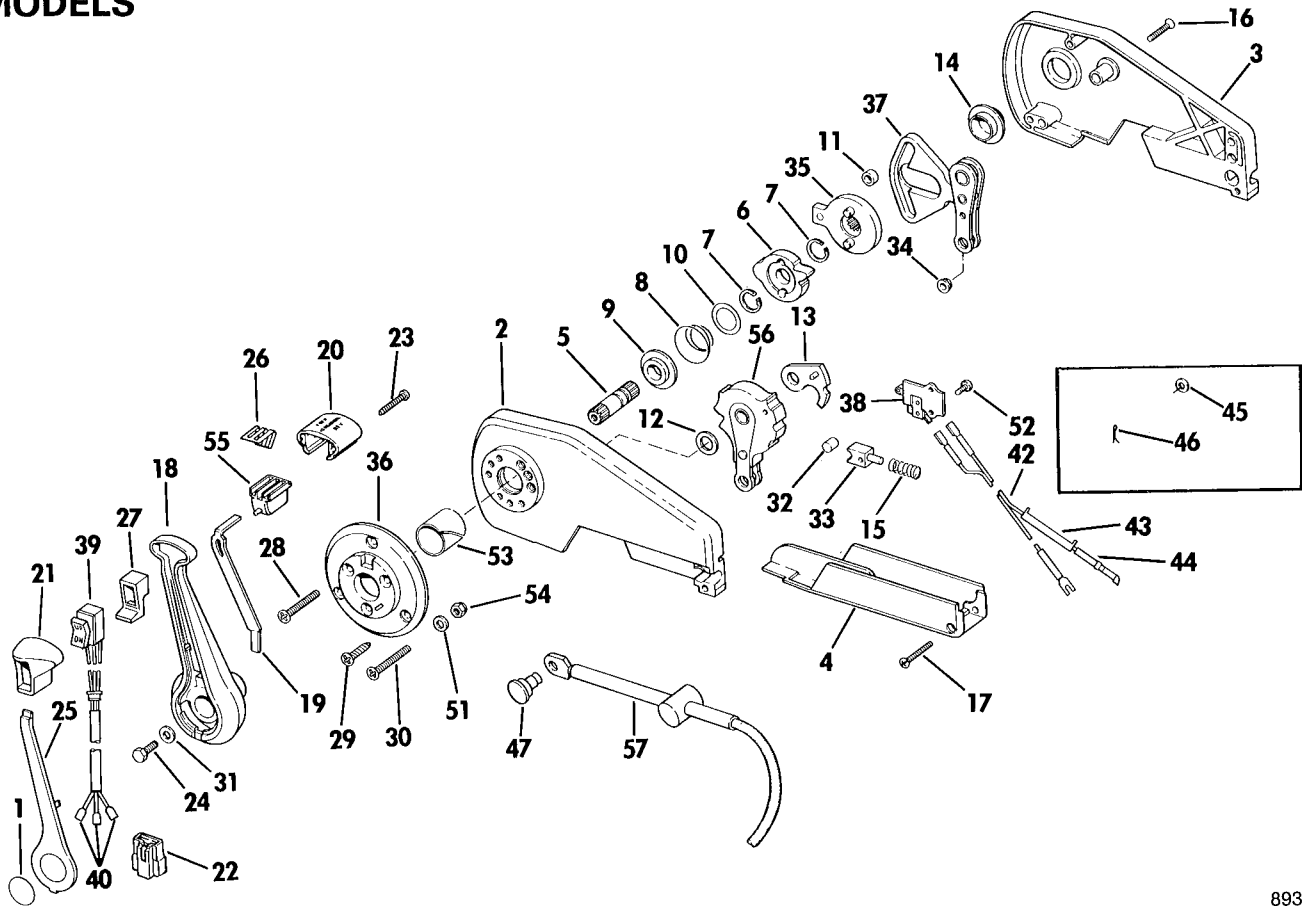
94050

C D Opt

Ref.	P/N	Name of Part	Qty.
1	173110	CABLE ASSEMBLY, 10 ft	1
1	173111	CABLE ASSEMBLY, 11 ft	1
1	173112	CABLE ASSEMBLY, 12 ft.	1
1	173113	CABLE ASSEMBLY, 13 ft.	1
1	173114	CABLE ASSEMBLY, 14 ft.	1
1	173115	CABLE ASSEMBLY, 15 ft.	1
1	173116	CABLE ASSEMBLY, 16 ft.	1
1	173117	CABLE ASSEMBLY, 17 ft	1
1	173118	CABLE ASSEMBLY, 18 ft.	1
1	173119	CABLE ASSEMBLY, 19 ft	1
1	173120	CABLE ASSEMBLY, 20 ft	1
1	173122	CABLE ASSEMBLY, 22 ft	1
1	173124	CABLE ASSEMBLY, 24 ft	1

Ref.	P/N	Name of Part	Qty.
1	173126	CABLE ASSEMBLY, 26 ft	1
1	173128	CABLE ASSEMBLY, 28 ft	1
1	173130	CABLE ASSEMBLY, 30 ft	1
1	173132	CABLE ASSEMBLY, 32 ft.	1
1	173134	CABLE ASSEMBLY, 34 ft	1
1	173136	CABLE ASSEMBLY, 36 ft	1
1	173138	CABLE ASSEMBLY, 38 ft	1
1	173140	CABLE ASSEMBLY, 40 ft	1
1	173142	CABLE ASSEMBLY, 42 ft	1
1	173144	CABLE ASSEMBLY, 44 ft	1
1	173146	CABLE ASSEMBLY, 46 ft.	1
1	173148	CABLE ASSEMBLY, 48 ft	1
1	173150	CABLE ASSEMBLY, 50 ft.	1

REMOTE CONTROL ASSEMBLY - CONCEALED SIDE MOUNT ALL MODELS



ACR00046
04-12-89

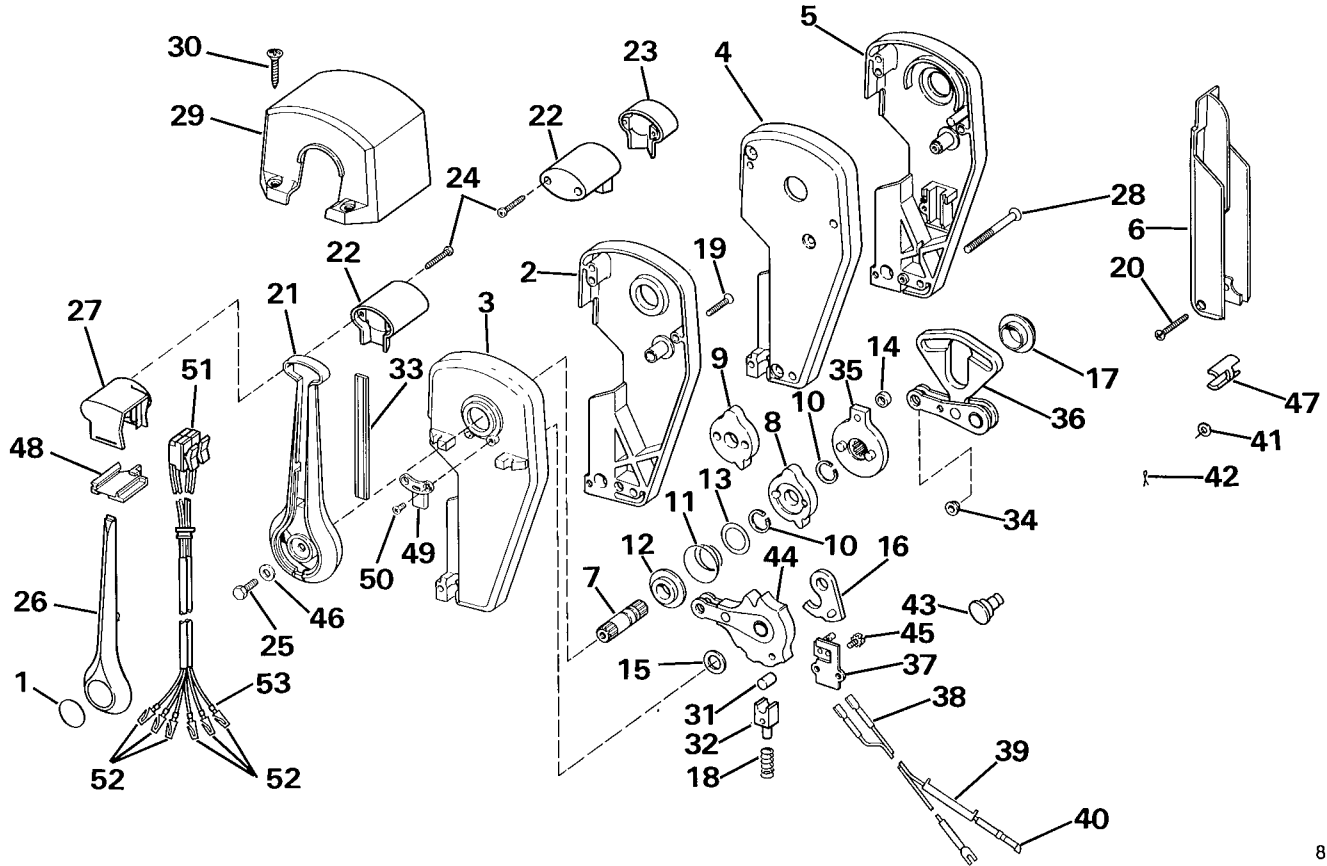
893281
C D Opt

Ref.	P/N	Name of Part	Qty.
*	174280	REMOTE CONTROL ASSY - Concealed side mt w/trim switch .	1
1	123315	. APPLIQUE	1
2	125455	. HOUSING, Control	1
3	125456	. HOUSING, Control	1
4	173598	. TRAY, Control housing	1
5	123261	. SHAFT, Remote control	1
6	123496	. DRIVE GEAR, Shift	1
7	123264	. RETAINING RING, Drive gear	2
8	123265	. SPRING, Drive gear return	1
9	123266	. BUSHING, Shaft to housing.	1
10	123267	. WASHER, Return spring	1
11	123268	. ROLLER, Throttle cam	1
12	123269	. WASHER, Shift arm	1
13	123270	. CAM, Neutral switch	1
14	123271	. BUSHING, Throttle hub	1
15	909859	. SPRING, Detent	1
16	123273	. SCREW, Control housing	3
17	123274	. SCREW, Tray to housing	1
18	123279	. HANDLE, Side mount	1
19	123281	. PLATE, Neutral lock	1
20	123531	. KNOB, Lockout button	1
21	123535	. KNOB, Trim switch	1
22	313113	. TERMINAL HOUSING	1
23	123533	. SCREW, Knob to handle	2
24	123290	. SCREW, Handle to shaft	1
25	175090	. COVER, Handle	1
26	123443	. SPRING, Neutral lock	1
27	123536	. GROMMET, Trim switch	1

Ref.	P/N	Name of Part	Qty.
28	123312	. SCREW, Mounting flange	3
29	123316	. SCREW, Flange to boat	3
30	123317	. SCREW, Flange to boat	3
31	901893	. WASHER, Handle to shaft	1
32	123341	. ROLLER, Detent	1
33	123342	. SHOE, Detent roller	1
34	123350	. BUSHING	2
35	173571	. THROTTLE HUB ASSEMBLY	1
36	173477	. MOUNTING FLANGE & PIN	1
37	173478	. THROTTLE CAM & ARMS ASSY.. . . .	1
38	173480	. NEUTRAL START SWITCH ASSY	1
39	174285	. TRIM SWITCH & LEAD ASSY	1
40	825886	. . . TERMINAL	3
42	173572	. LEAD ASSY , Neutral start switch	1
43	303806	. . . TUBING	1
44	308808	. . . TERMINAL, Knife	1
*	982048	. CABLE MOUNT HARDWARE KIT	1
45	303887	. . . WASHER	2
46	305650	. . . COTTER PIN	2
47	323776	. . . CLEVIS PIN, Snap-in cable.	2
51	302407	. WASHER, Mounting screw.	3
52	308545	. SCREW to housing	1
53	123495	. BUSHING	1
*	308808	. TERMINAL, Knife	1
54	900402	. LOCKNUT, Mounting screw.	3
55	173499	. LOCKOUT BUTTON ASSEMBLY	1
56	173542	. SHIFT GEAR & ARMS ASSY	1
57	**	OMC SNAP-IN OR OMC LONG-LIFE THROTTLE & SHIFT CABLES	AR

* Not Shown
** See Page 17

REMOTE CONTROL ASSEMBLY - BINNACLE MOUNT - DUAL LEVER



893282

ACR00047
11-02-88

C D Opt

Ref.	P/N	Name of Part	Qty.	Ref.	P/N	Name of Part	Qty.
*	174633	REMOTE CONTOL ASSEMBLY - BINNACLE MOUNT, Dual lever . . .	1	27	125200	. KNOB, Switch housing	1
1	123315	. APPLIQUE	2	28	123310	. SCREW, Binnacle assembly	3
2	125456	. HOUSING	1	29	125151	. COVER	1
3	125457	. HOUSING	1	30	124894	. SCREW, Control mounting.	4
4	125459	. HOUSING	1	31	123341	. ROLLER, Detent	2
5	125460	. HOUSING	1	32	123342	. SHOE, Detent roller	2
6	173598	. TRAY, Control housing.	2	33	123343	. TRIM, Insert.	2
7	123261	. SHAFT, Remote control	2	34	123350	. BUSHING	4
8	123496	. DRIVE GEAR, Starboard.	1	35	173571	. THROTTLE HUB ASSEMBLY	2
9	123497	. DRIVE GEAR, Port	1	36	173478	. THROTTLE CAM & ARMS ASSY	2
10	123264	. RETAINING RING, Drive gear	4	37	173480	. NEUTRAL START SWITCH	2
11	123265	. SPRING, Drive gear return	2	38	173572	. LEAD ASSY., Neutral start switch	2
12	123266	. BUSHING, Shaft to housing	2	39	303806	. TUBING	1
13	123267	. WASHER, Return spring.	2	40	308808	. TERMINAL, Knife	1
14	123268	. ROLLER, Throttle cam	2	*	982048	. CABLE MOUNT HARDWARE KIT	2
15	123269	. WASHER, Shift arm	2	41	303887	. WASHER	2
16	123270	. CAM, Neutral switch	2	42	305650	. COTTER PIN.	2
17	123271	. BUSHING, Throttle hub	2	43	323776	. CLEVIS PIN, Snap-in cable	2
18	909859	. SPRING, Detent	2	44	173542	. SHIFT GEAR & ARMS ASSY..	2
19	123273	. SCREW, Control housing.	6	45	308545	. SCREW	2
20	123274	. SCREW, Tray to housing	2	46	901893	. WASHER	2
21	123278	. HANDLE, Side mount	2	47	123439	. SPACER, Control cable	1
22	125198	. KNOB, Center	2	48	125197	. HATCH, Switch knob	1
23	125199	. KNOB, End cap	1	49	125196	. RETAINER, Switch leads	1
24	123533	. SCREW, Knob to handle	4	50	123340	. SCREW, Retainer	1
25	123290	. SCREW, Handle to shaft	2	51	174632	. TRIM SWITCH & LEAD	1
26	123610	. COVER, Handle	2	52	313005	. TERMINAL.	6
				53	510628	. SLEEVE	6

* Not Shown

United States of America

**OMC Parts & Accessories
3225 N. Prairie Avenue
Beloit, Wisconsin 53511 U.S.A.**

Canada

**Outboard Marine Corporation of Canada, Ltd.
910 Monaghan Road
Peterborough, Ontario, Canada
K9J7B6 (postal code)**

Caribbean, Mexico, Central America, South America

**Outboard Marine International, Inc.
403 Sawgrass Corporate Parkway
Sunrise, Florida 33325 U.S.A.**

Europe, Middle East, Africa

**Outboard Marine Belgium, N.V.
Pathoekeweg 120
8000 Brugge, Belgium**

Australia, New Zealand, Southwest Pacific

**Outboard Marine Australia Pty. Ltd.
84 Canterbury Road
Bankstown, New South Wales
Australia, Sydney 70-0701**

Bangladesh, Brunei, Burma, Guam, Hong Kong, India, Indonesia, Japan, Korea, Macau, Malaysia, Maldives, Micronesia, Pakistan, People's Republic of China, Philippines, Singapore, Sri Lanka, Taiwan, Thailand

**Outboard Marine Asia, Ltd.
Attn: W. Mui
No. 35-47, Tsing Yi Road
Tsing Yi Island, N.T.
Hong Kong**

OMC *Sea Drive*[®]

MARKETED BY: OMC MARINE POWER PRODUCTS GROUP

A PRODUCT GROUP OF OUTBOARD MARINE CORPORATION

200 SEA HORSE DRIVE ■ WAUKEGAN, ILLINOIS ■ 60085