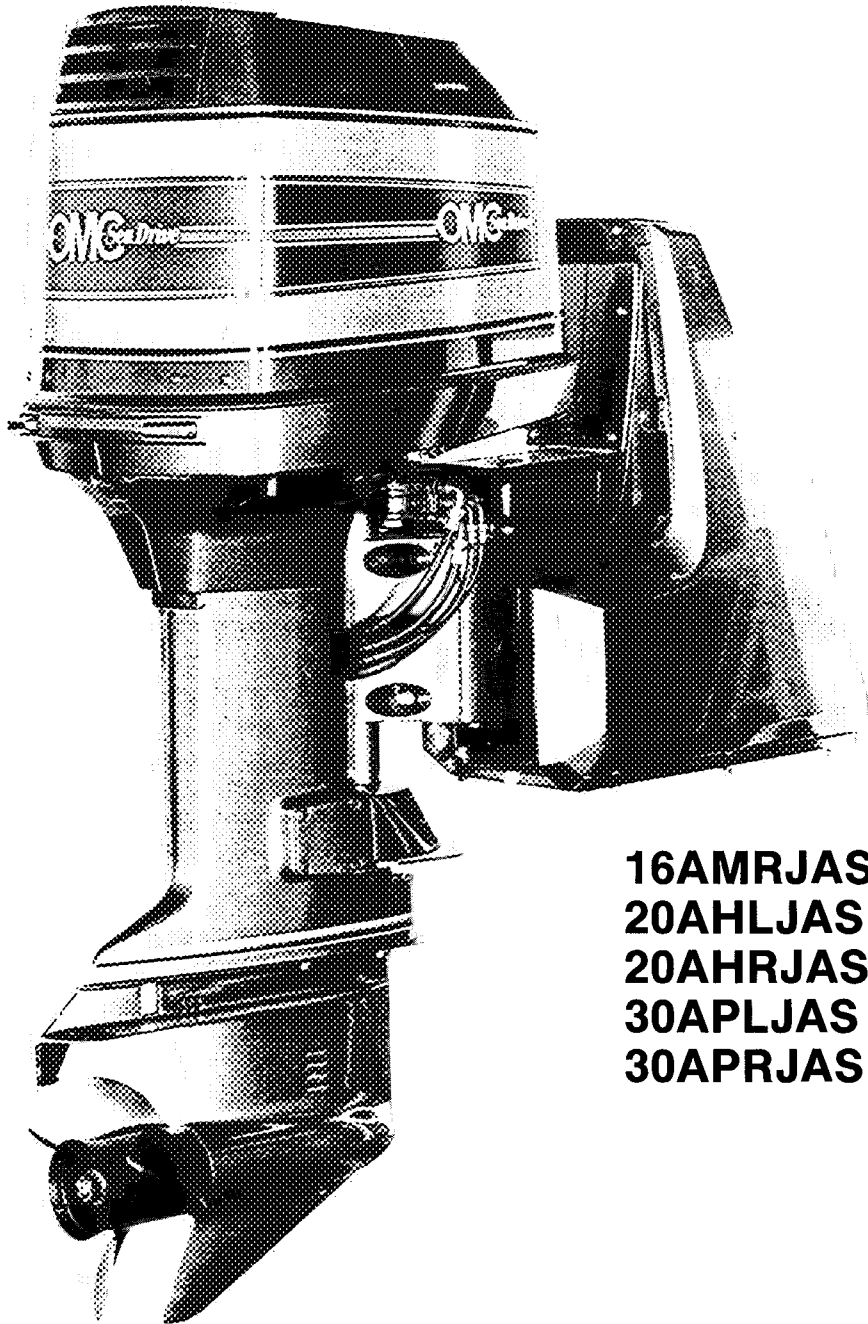


# OMC *Sea Drive*<sup>®</sup>

## PARTS CATALOG OPTIONAL EQUIPMENT



**16AMRJAS  
20AHLJAS  
20AHRJAS  
30APLJAS  
30APRJAS**

**FINAL EDITION**



**SAFETY WARNING**

**Note**

WHEN REPLACEMENT PARTS ARE REQUIRED, USE GENUINE OMC PARTS OR PARTS WITH EQUIVALENT CHARACTERISTICS INCLUDING TYPE, STRENGTH, AND MATERIAL. FAILURE TO DO SO MAY RESULT IN PRODUCT MALFUNCTION AND POSSIBLE INJURY TO THE OPERATOR AND/OR PASSENGERS.

OUTBOARD MARINE CORPORATION, MANUFACTURER OF OMC SEA DRIVE® MARINE POWER SYSTEM, RESERVES THE RIGHT TO MAKE CHANGES AT ANY TIME, WITHOUT NOTICE, IN SPECIFICATIONS AND MODELS AND ALSO TO DISCONTINUE MODELS. THE RIGHT IS ALSO RESERVED TO CHANGE ANY SPECIFICATIONS OR PARTS AT ANY TIME WITHOUT INCURRING ANY OBLIGATION TO EQUIP SAME ON MODELS MANUFACTURED PRIOR TO DATE OF SUCH CHANGE

WHILE THE INFORMATION CONTAINED IN THIS PARTS CATALOG IS BASED ON THE LATEST PRODUCT INFORMATION AVAILABLE AT THE TIME OF PUBLICATION, THE CONTINUING ACCURACY OF THIS PARTS CATALOG CANNOT BE GUARANTEED.

ALL ILLUSTRATIONS USED IN THIS PARTS CATALOG MAY NOT DEPICT ACTUAL MODELS OR EQUIPMENT AND ARE INTENDED AS REPRESENTATIVE VIEWS FOR REFERENCE ONLY.

**Note**

THIS PARTS CATALOG SHOULD NOT BE USED IN LIEU OF A SERVICE MANUAL. ORDER YOUR SERVICE MANUAL OR OWNER'S MANUAL FROM YOUR NEAREST MARKETING DIVISION, SEE REAR COVER.

SUPPLY MODEL AND SERIAL NUMBER OF ENGINE FROM NAMEPLATE ATTACHED TO THE LOWER ENGINE COVER WHEN REQUESTING A SERVICE MANUAL OR OWNER'S MANUAL.

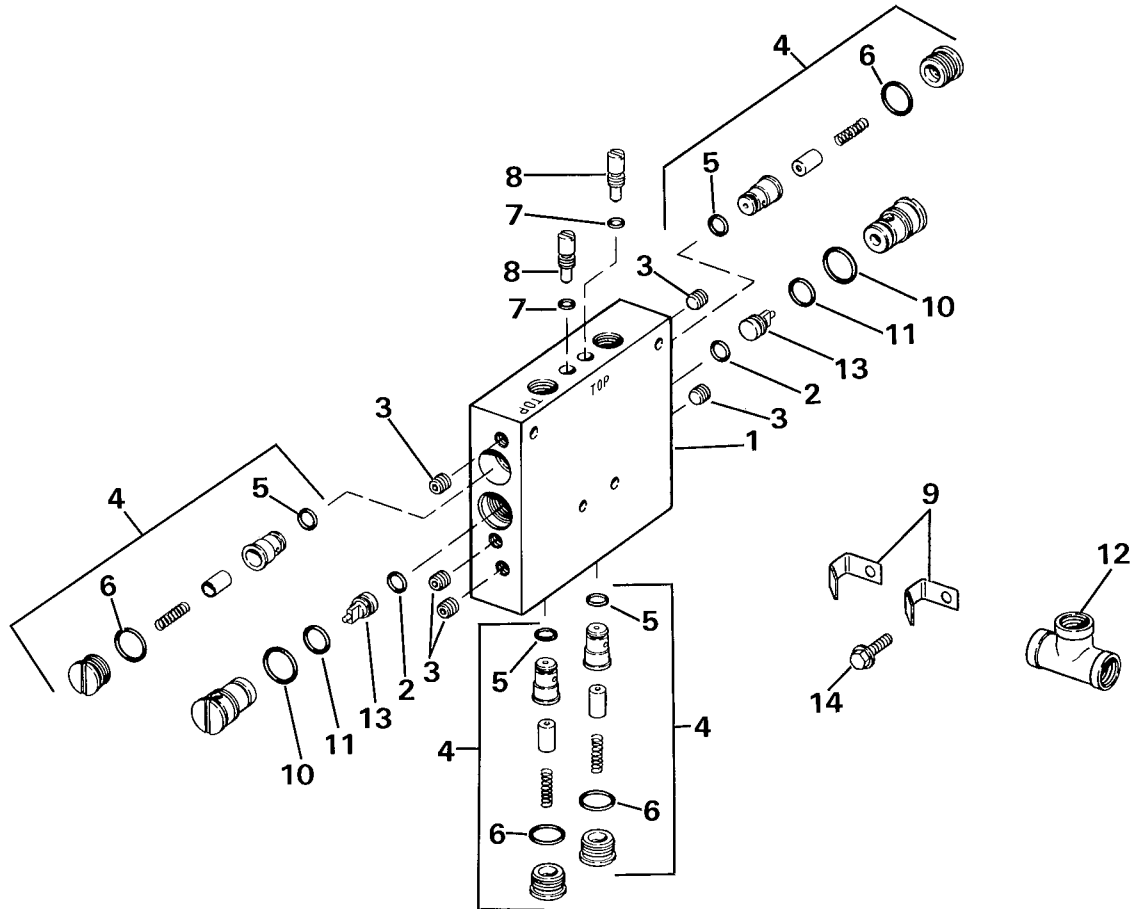
# TABLE OF CONTENTS

	PAGE
SYNCHRONIZATION VALVE - DUAL ENGINES . . . . .	4
DUAL CABLE STEERING KIT . . . . .	4
THRU TRANSOM KIT . . . . .	5
WIRING KIT - SINGLE LEVER CONTROLS WITHOUT EMERGENCY IGNITION CUTOFF SWITCH. . . . .	5
SELECTRIM CABLE . . . . .	6
CABLE ASSEMBLY - BATTERY TO JUNCTION BOX . . . . .	6
EXTENSION HARNESS - INSTRUMENTS . . . . .	6
EXTENSION CABLE - TRIM . . . . .	6
SECOND STATION CABLE KIT - SELECTRIM/TILT . . . . .	6
SECOND STATION CABLE KIT - INSTRUMENTS . . . . .	7
TRIM/TILT SWITCH & BEZEL KIT - DUAL ENGINE . . . . .	7
TRIM/TILT SWITCH CONVERSION KITS . . . . .	7
QUARTACH® TACHOMETER - FLUSH MOUNT - DIGITAL - PLUG IN . . . . .	8
QUARTACH® TACHOMETER - FLUSH MOUNT - DIGITAL - NON-PLUG IN . . . . .	8
PLUG IN CONNECTOR KIT . . . . .	9
TACHOMETER KIT - FLUSH MOUNT - ANALOG - NON-PLUG IN . . . . .	9
SPEEDOMETER KIT - FLUSH MOUNT . . . . .	10
WATER PRESSURE GAUGE KIT . . . . .	11
TRIM/TILT GAUGE KITS . . . . .	11
WATER TEMPERATURE GAUGE KIT . . . . .	12
OIL LEVEL GAUGE & SENDING UNIT . . . . .	12
FUEL GAUGE KIT . . . . .	13
VOLTMETER KIT . . . . .	13
HOUR METER KIT . . . . .	13
PRIMER PUMP KIT . . . . .	14
ELECTRIC PRIMER PUMP ASSEMBLY . . . . .	14
PRIMER BULB KIT . . . . .	15
FUEL FILTER . . . . .	15
REMOTE OIL FILL KIT . . . . .	15
VRO® OIL TANK KITS - 1.8 & 3.0 GALLON . . . . .	16
VRO® DUAL OIL TANK PICKUP KIT . . . . .	17
OMC SNAP-IN® CABLES . . . . .	17
REMOTE CONTROLS . . . . .	18, 20

E S NO	PAINT	SPRAY	1 QT CAN
1655	PRIMER	172757	376015
1720	BLACK	330446	330445
1730	CHARCOAL	395127	N/A
1766	SILVER GRAY	282988	N/A

INDENTED PART NAMES INDICATE THAT THESE PARTS ARE INCLUDED IN PRECEDING ASSEMBLY  
 SPECIFY MODEL AND SERIAL NUMBER OF ENGINE WHEN ORDERING PARTS  
 ORDER ALL PARTS FROM YOUR LOCAL AUTHORIZED DEALER  
 PART NUMBERS NEW FOR THIS MODEL YEAR CAN BE IDENTIFIED  
 BY THE BOX SYMBOL ■ IN NAME OF PART COLUMN

# SYNCHRONIZATION VALVE - DUAL ENGINES - ALL HYDRAULIC STEERING MODELS

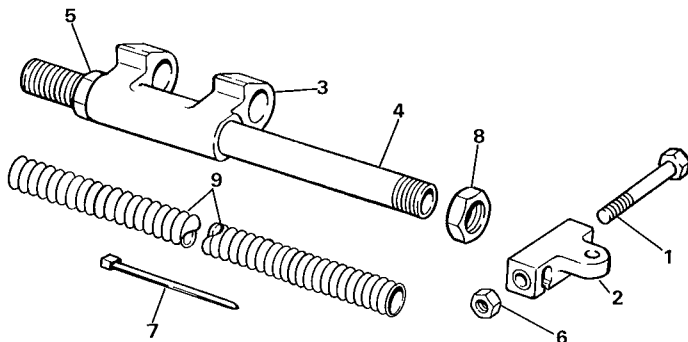


883122

Ref.	P/N	Name of Part	Qty.
1	983430	SYNCHRONIZATION VALVE ASSY	1
2	202893	. O-RING	2
3	321164	. PLUG	5
4	984163	. VALVE ASSY	4
5	202893	. O-RING	1
6	326649	. O-RING	1
7	305739	. O-RING	2
8	911254	. NEEDLE VALVE	2

Ref.	P/N	Name of Part	Qty.
9	911313	. SPACER	2
10	319344	. O-RING	1
11	611835	. O-RING <i>915352 5/8"</i>	1
12	910877	. TEE, Steering lines	1
13	910873	. PISTON, Flow control	2
14	911321	. BOLT, Spacer	1

## DUAL CABLE STEERING KIT - PARALLEL ENTRY - 1.6 LITRE MECHANICAL STEERING



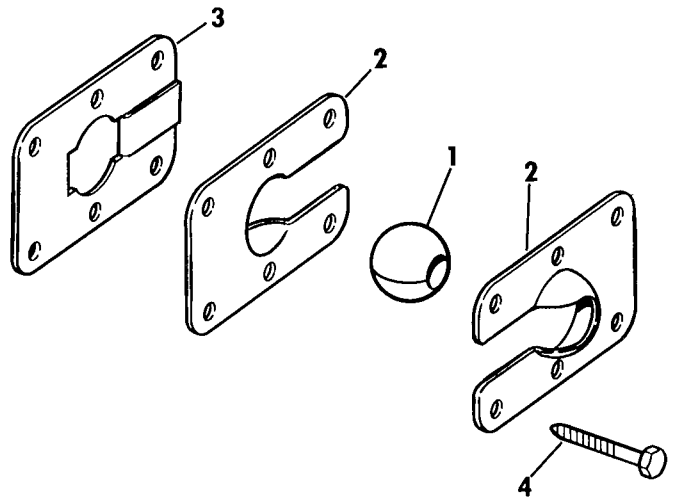
Ref.	P/N	Name of Part	Qty.
1	123346	SCREW	1
2	123607	CONNECTOR	1
*	983417	TUBE AND BRACKET ASSY	1
3	911242	. MOUNTING BRACKET	1
4	911175	. TUBE, Steering	1
5	911183	. NUT	1
6	315077	LOCKNUT	1
7	317893	TIE STRAP	2
8	983678	NUT & WIPER ASSY	1
9	912784	JACKET, Steering cable	1

843044 \* Not Shown

# THRU TRANSOM KIT - 1.6 LITRE MECHANICAL STEERING

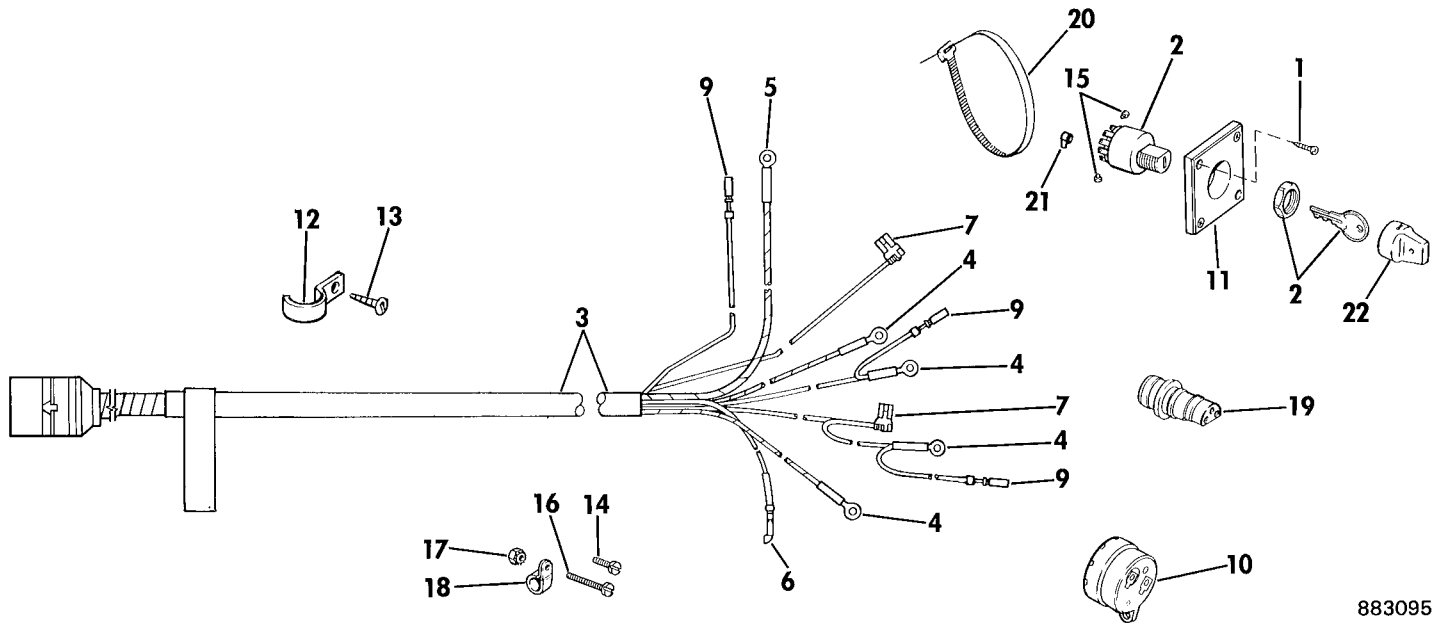
BQ102

Ref. No.	P/N	Name of Part	Qty.
1	911177	SEAL, Steering cable	1
2	911178	PLATE, Steering cable	2
3	911180	SEAL, Plate	1
4	910987	SCREW	6



834016

# WIRING KIT - SINGLE LEVER CONTROLS WITHOUT EMERGENCY IGNITION CUT OFF SWITCH - ALL MODELS



883095

Ref.	P/N	Name of Part	Qty.
*	174645	WIRING KIT, Single lever controls, 20 ft.	1
*	174643	WIRING KIT, Single lever controls, 28 ft.	1
1	125308	SCREW, Bezel mounting	2
2	393301	SWITCH & KEY ①	1
3	173826	INSTRUMENT CABLE ASSEMBLY, 20 ft ②	1
3	174139	INSTRUMENT CABLE ASSEMBLY, 28 ft. ③	1
4	510780	TERMINAL, Ring	3
5	204038	TERMINAL, Ring	1
6	308808	TERMINAL, Knife	1
7	309437	TERMINAL, Flag	2

Ref.	P/N	Name of Part	Qty.
9	581656	TERMINAL, Socket	3
10	389263	HORN ASSEMBLY	1
11	125312	BEZEL, Ign /choke switch	1
12	304494	CLAMP, Cable to boat	4
13	305009	SCREW, Cable clamp to boat	4
14	306286	SCREW, Clamp to dash & horn	2
15	306559	SCREW, Ign switch term	6
16	307190	SCREW, Clamp to dash	1
17	308335	NUT, Clamp screw	2
18	316669	CLAMP, Loop, cable to dash	2
19	511990	CONNECTOR, 3 Pin	1
20	320107	TIE STRAP	3
21	123975	COVER	1
22	332179	KNOB, Push	1

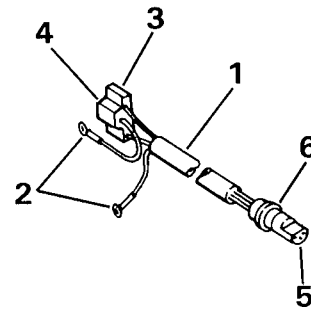
\* Not Shown

- ① See Service Bulletin for Key Ordering Information
- ② Included in Wiring Kit 174645 Only
- ③ Included in Wiring Kit 174643 Only

# SELECTRIM CABLE - ALL MODELS

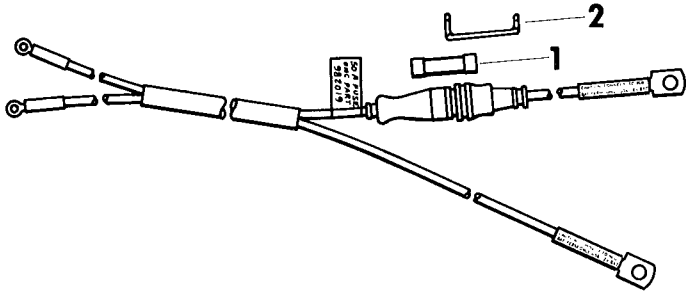
BQ144

Ref. No.	P/N	Name of Part	Qty.
1	174348	CABLE ASSEMBLY, 20'	1
2	204036	RING TERMINAL	2
3	309474	CONNECTOR	1
4	309433	TERMINAL, Housing	3
5	581656	SOCKET ASSEMBLY	3
6	512747	CONNECTOR	1



873119

## CABLE ASSEMBLY - BATTERY TO JUNCTION BOX - ALL MODELS



834090

BQ54

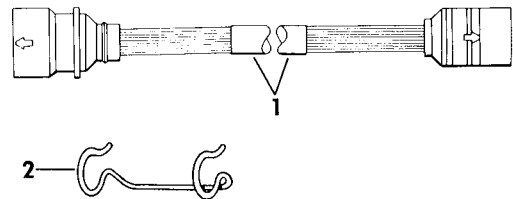
Ref. No.	P/N	Name of Part	Qty.
*	983601	CABLE ASSEMBLY KIT	1
1	982019	FUSE	1
2	910330	RETAINER, Fuse	1

\* Not Shown

## EXTENSION HARNESS - INSTRUMENTS - ALL MODELS

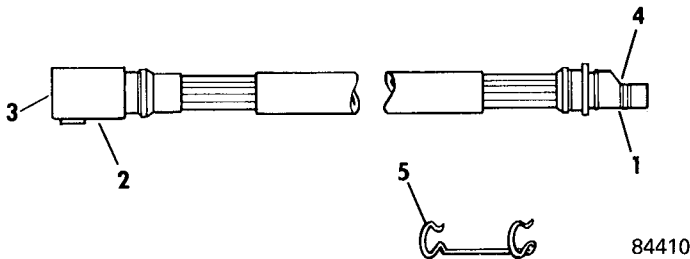
BQ55

Ref. No.	P/N	Name of Part	Qty.
1	173771	CABLE ASSEMBLY, 10 ft	1
2	315182	CLAMP	1



33819

## EXTENSION CABLE - TRIM



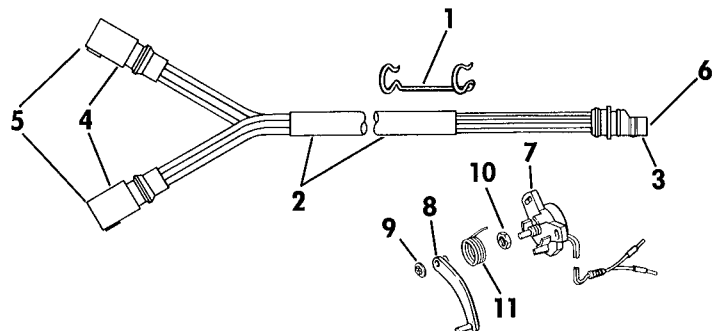
84410

Ref	P/N	Name of Part	Qty.
*	984310	CABLE ASSEMBLY, 10 ft ...	1
1	512747	.CONNECTOR .. . . . . .	1
2	512748	.CONNECTOR .. . . . . .	1
3	511469	.PIN .. . . . . .	3
4	581656	.SOCKET ASSEMBLY .. . . . .	3
5	512742	.RETAINER .. . . . . .	1

\* Not Shown

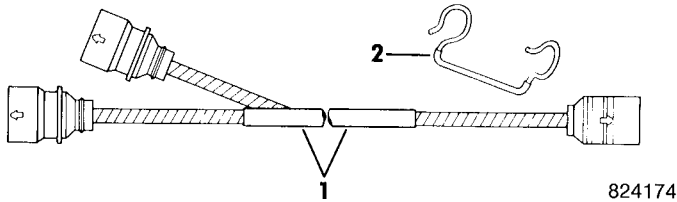
## SECOND STATION CABLE KIT - SELECTRIM/TILT - ALL MODELS

Ref.	P/N	Name of Part	Qty.
1	512742	RETAINER .. . . . . .	2
2	984284	CONNECTOR ASSEMBLY .. . . .	1
3	512747	.CONNECTOR .. . . . . .	1
4	512748	.CONNECTOR .. . . . . .	2
5	511469	.PIN .. . . . . .	6
6	581656	.SOCKET ASSEMBLY .. . . . .	3
7	985079	SENDING UNIT .. . . . . .	1
8	912602	.ARM .. . . . . .	1
9	511527	.RETAINER .. . . . . .	1
10	320689	.NUT .. . . . . .	1
11	910790	.SPRING .. . . . . .	1



863026

## SECOND STATION CABLE KIT - INSTRUMENTS



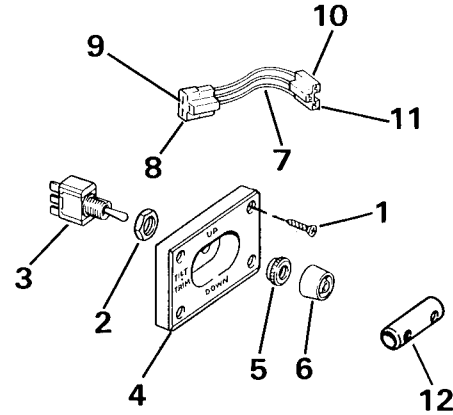
824174

BQ57

Ref. No.	P/N	Name of Part	Qty.
1	983017	CABLE ASSEMBLY	1
2	315182	CLAMP	2

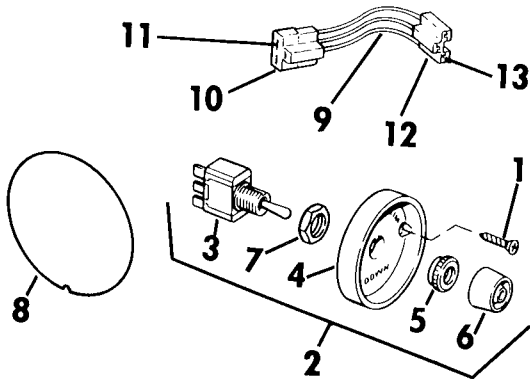
## TRIM/TILT SWITCH & BEZEL KIT - DUAL ENGINE

Ref.	P/N	Name of Part	Qty.
*	174642	TRIM/TILT SWITCH & BEZEL KIT - DUAL ENGINE	1
1	125308	SCREW, Bezel	2
2	900185	NUT	2
3	976443	SWITCH, Power tilt	2
4	125311	BEZEL, Trim switch	1
5	310782	NUT, Switch	2
6	310781	COVER, Switch	2
7	389726	TILT/TRIM CABLE KIT	2
8	313113	CONNECTOR	1
9	825886	TERMINAL	3
10	311742	CONNECTOR	1
11	309435	TERMINAL	3
12	125106	HANDLE	1



881308

## TRIM/TILT SWITCH CONVERSION KIT



822077

BE605

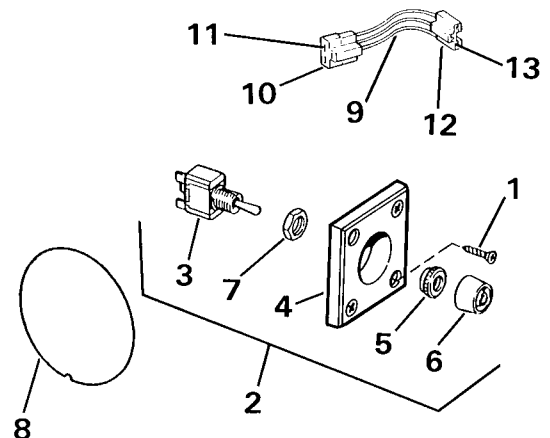
Ref. No.	P/N	Name of Part	Qty.
*	174290	TRIM/TILT CONVERSION KIT	1
1	122481	SCREW, Bezel	2
2	172899	TRIM SWITCH ASSEMBLY	1
3	976443	SWITCH, Power tilt	1
4	122849	BEZEL, Trim switch	1
5	310782	NUT, Switch	1
6	310781	COVER, Switch	1
7	900185	NUT	1
8	327490	APPLIQUE	1
9	389726	TILT/TRIM CABLE KIT	1
10	313113	CONNECTOR	1
11	825886	TERMINAL	3
12	311742	CONNECTOR	1
13	309435	TERMINAL	3

\* Not Shown

## TRIM/TILT SWITCH CONVERSION KIT

Ref. No.	P/N	Name of Part	Qty.
*	174752	TRIM/TILT CONVERSION KIT	1
1	125308	SCREW, Bezel	2
2	174652	TILT/TRIM SWITCH ASSY	1
3	976443	SWITCH, Power tilt	1
4	125314	BEZEL, Trim switch	1
5	310782	NUT, Switch	1
6	310781	COVER, Switch	1
7	900185	NUT	1
8	327490	APPLIQUE	1
9	389726	TILT/TRIM CABLE KIT	1
10	313113	CONNECTOR	1
11	825886	TERMINAL	3
12	311742	CONNECTOR	1
13	309435	TERMINAL	3

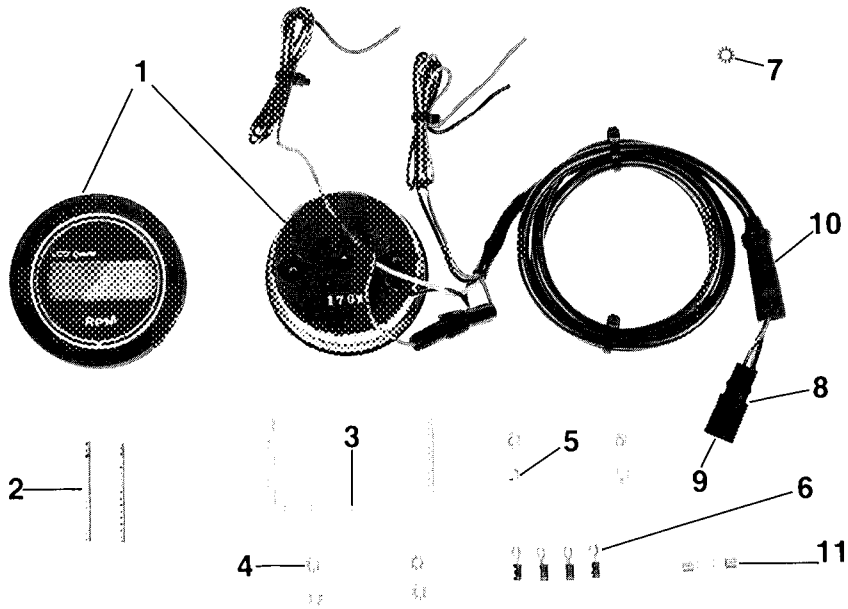
\* Not Shown



881307

# NEW TECH SERIES ①

## QUARTACH® TACHOMETER - FLUSH MOUNT - DIGITAL - PLUG IN

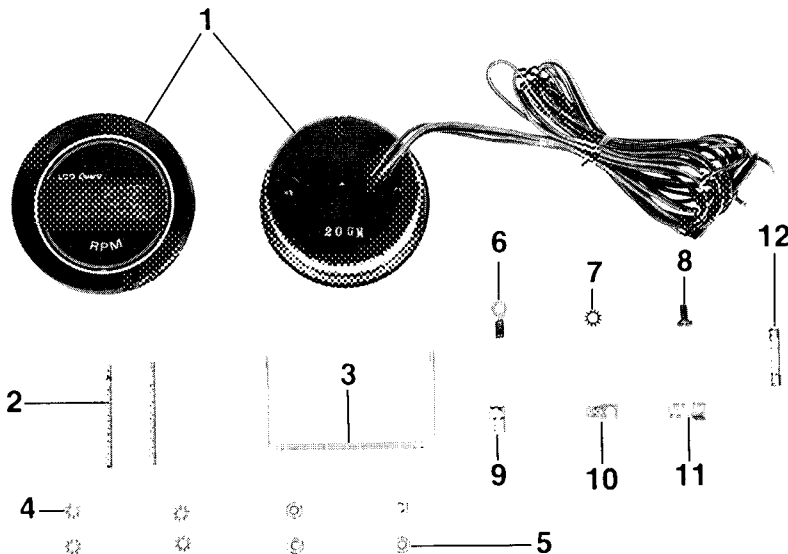


13935

Ref.	P/N	Name of Part	Qty.
1	174625	QUARTACH® TACHOMETER . . . . .	1
2	123641	. STUD, Instrument mounting . . . . .	2
3	123642	. BRACKET, Instrument mounting . . . . .	1
4	306991	. LOCKWASHER . . . . .	4
5	133079	. NUT . . . . .	4
6	124343	. TERMINAL, Ring . . . . .	4

Ref.	P/N	Name of Part	Qty.
7	303916	. LOCKWASHER, Ground terminal . . . . .	1
8	511465	. CONNECTOR . . . . .	1
9	511469	. TERMINAL, Pin . . . . .	3
10	124280	. BOOT . . . . .	1
11	123852	. FUSE . . . . .	1

## QUARTACH® TACHOMETER - FLUSH MOUNT - DIGITAL - NON-PLUG IN



13938

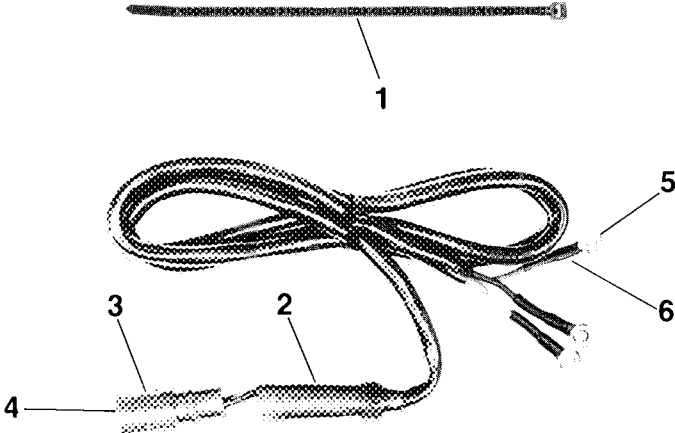
Ref.	P/N	Name of Part	Qty.
1	174738	QUARTACH® TACHOMETER . . . . .	1
2	123641	. STUD, Instrument mounting . . . . .	2
3	123642	. BRACKET, Instrument mounting . . . . .	1
4	306991	. LOCKWASHER . . . . .	4
5	133079	. NUT . . . . .	4
6	124343	. TERMINAL, Ring, ground lead . . . . .	1

Ref.	P/N	Name of Part	Qty.
7	303916	. LOCKWASHER, Ground terminal . . . . .	1
8	302812	. SCREW, Ground terminal . . . . .	1
9	309437	. TERMINAL, Flag . . . . .	1
10	121689	. TERMINAL, Adaptor . . . . .	1
11	319984	. ADAPTOR . . . . .	1
12	123852	. FUSE . . . . .	1

① Distinguished by a red ring on dial face or bezel



# PLUG IN CONNECTOR KIT



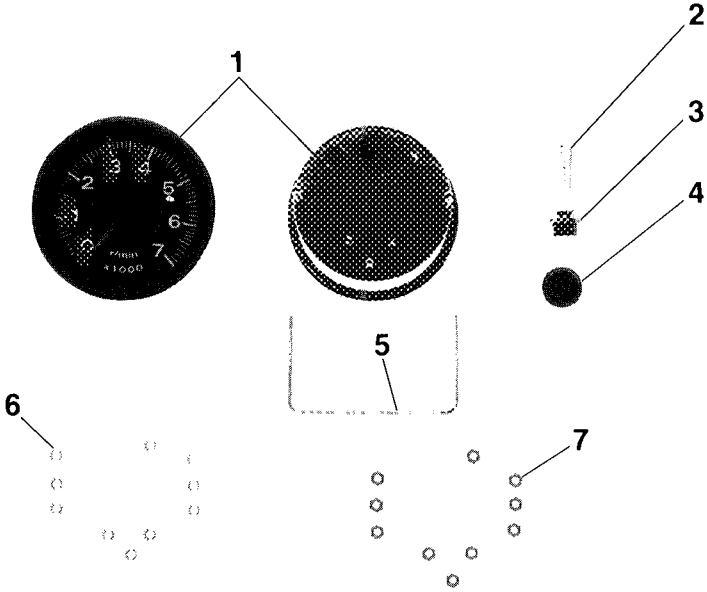
13937

Ref.	P/N	Name of Part	Qty.
*	174732	PLUG IN CONNECTOR KIT	1
1	320107	. TIE STRAP	1
2	124280	. BOOT	1
3	511465	. CONNECTOR	1

Ref.	P/N	Name of Part	Qty.
4	511469	. TERMINAL, Pin	3
5	510780	. TERMINAL, Ring	3
6	510781	. SLEEVE, Terminal	3

\* Not Shown

# TACHOMETER KIT - FLUSH MOUNT - ANALOG - NON-PLUG IN

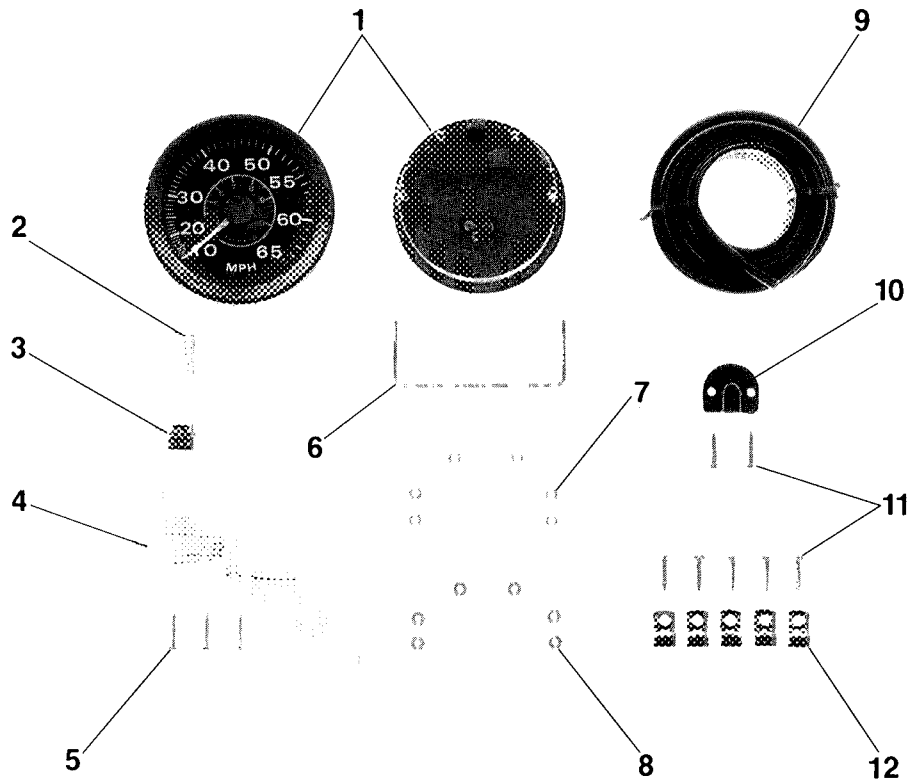


13751

Ref.	P/N	Name of Part	Qty.
1	174630	TACHOMETER ASSY , Black bezel, 7000 RPM, 5 & 6 pulse	1
2	125432	. BULB	1
3	122553	. BULB SOCKET	1

Ref.	P/N	Name of Part	Qty.
4	122916	. COVER	1
5	125257	. BRACKET, Instrument mounting	1
6	125411	. LOCKWASHER	10
7	125410	. NUT	10

# SPEEDOMETER KIT - FLUSH MOUNT

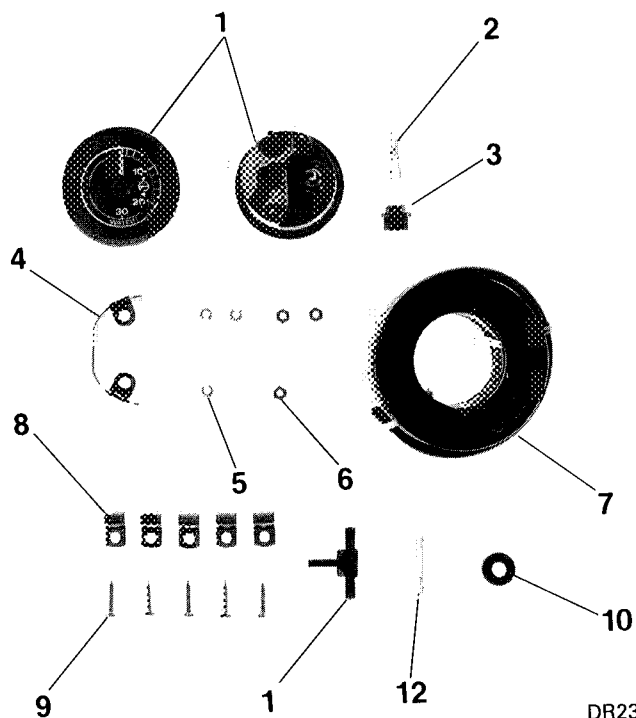


DR2325

Ref.	P/N	Name of Part	Qty.
1	174593	SPEEDOMETER KIT, Black bezel 65 MPH/KPH	1
2	125432	. BULB	1
3	122553	. BULB SOCKET	1
4	173623	. PITOT TUBE ASSEMBLY	1
5	122822	. . SCREW, Pitot tube mounting	3
6	125219	. BRACKET, Instrument mounting	1
7	125411	. LOCKWASHER	6

Ref	P/N	Name of Part	Qty.
8	125410	. NUT	6
9	121829	. HOSE, Speedometer	1
10	121828	. GUARD, Speedometer hose thru transom	1
11	310115	. SCREW, Hose clamps & guard mounting	7
12	120001	. CLAMP, Hose	5

# WATER PRESSURE GAUGE KIT



Ref.	P/N	Name of Part	Qty.
1	174678	WATER PRESSURE GAUGE KIT, 0-30 PSI	1
2	125432	. BULB	1
3	122553	. BULB SOCKET	1
4	125409	. BRACKET	1
5	125411	. LOCKWASHER	3
6	125410	. NUT	3
7	121829	. HOSE, Water pressure gauge	1
8	120001	. CLAMP, Hose	5
9	310115	. SCREW, Hose clamp	5
10	307417	. GROMMET.	1
11	123553	. CONNECTOR, Tee	1
12	123692	. CONNECTOR, Hose, water press..	1

DR2326

# TRIM/TILT GAUGE KIT

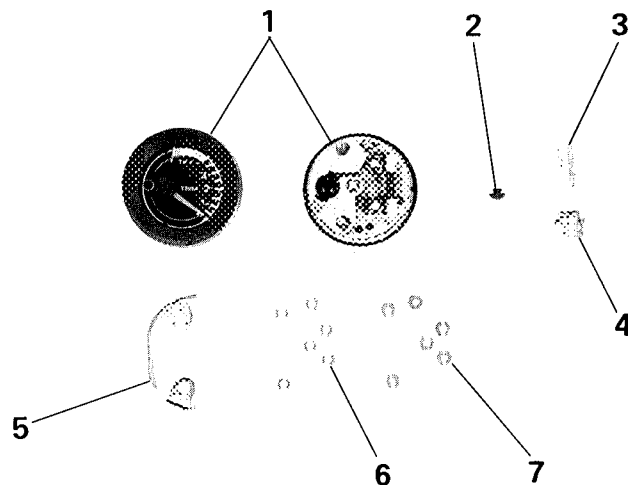
Ref.	P/N	Name of Part	Qty.
1	174680	TRIM/TILT GAUGE KIT ①	1
*	174748	TRIM/TILT GAUGE KIT ②	1
2	125003	. PLUG ③	1
3	125432	. BULB	1
4	122553	. BULB SOCKET	1
5	125409	. BRACKET, Instrument mounting	1
6	125411	. LOCKWASHER	6
7	125410	. NUT.	6

\* Not Shown

① With Hole in Lens

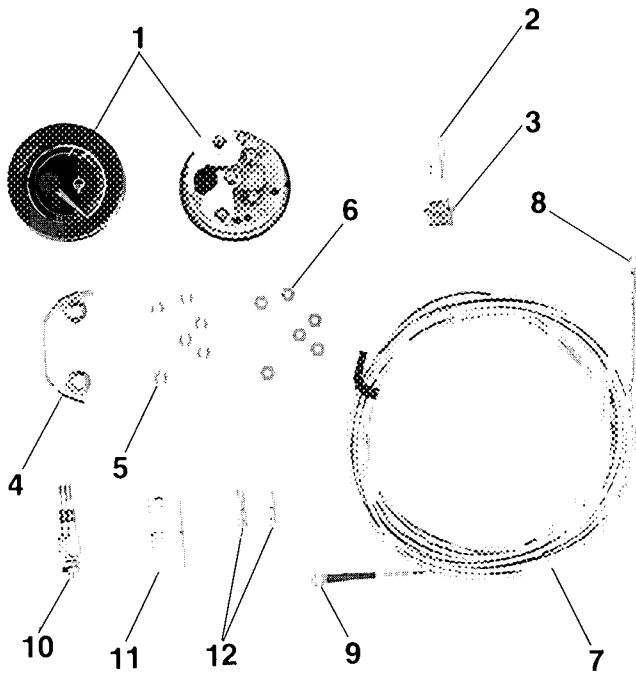
② Without Hole in Lens

③ Included in Trim/Tilt Kit 174680 Only



13787

# WATER TEMPERATURE GAUGE KIT

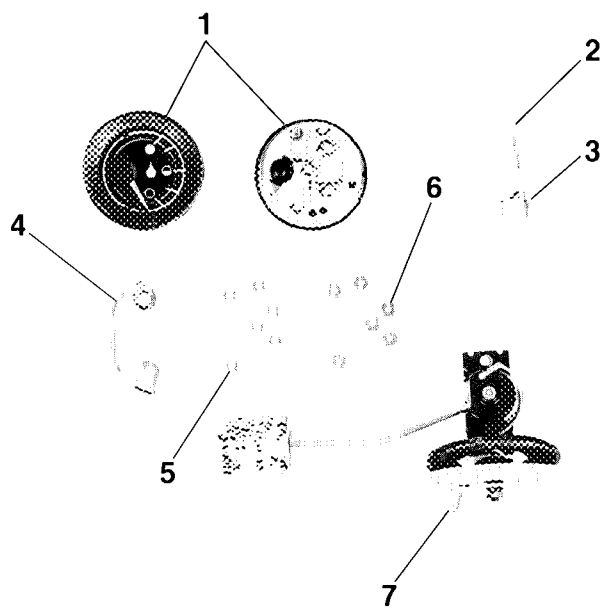


Ref.	P/N	Name of Part	Qty.
1	174682	WATER TEMP GAUGE KIT. ■	1
2	125432	. BULB . . . . .	1
3	122553	. BULB SOCKET . . . . .	1
4	125409	. BRACKET, Instrument mounting . . .	1
5	125411	. LOCKWASHER . . . . .	6
6	125410	. NUT . . . . .	6
7	174676	. LEAD ASSEMBLY . . . . .	1
8	204036	. . TERMINAL, Ring . . . . .	1
9	510904	. . TERMINAL, Ring . . . . .	1
10	174675	. SENDING UNIT ASSEMBLY . . . . .	1
11	122787	. BRACKET, Sending unit mtg . . . . .	1
12	308808	. TERMINAL, Knife . . . . .	2

13791

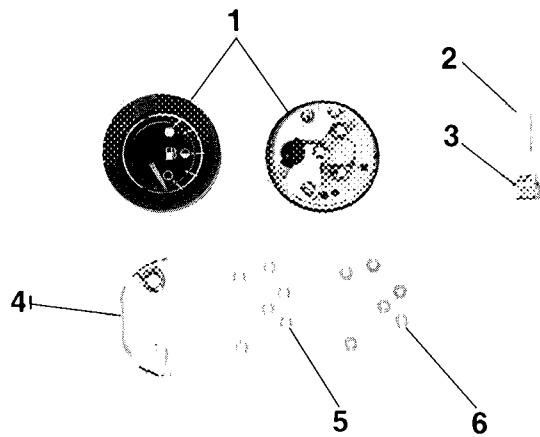
# OIL LEVEL GAUGE & SENDING UNIT - ALL VRO® OIL TANKS

Ref.	P/N	Name of Part	Qty.
1	174684	OIL LEVEL GAUGE KIT . . . . . ■	1
2	125432	. BULB . . . . .	1
3	122553	. BULB SOCKET . . . . .	1
4	125409	. BRACKET, Instrument mounting . . .	1
5	125411	. LOCKWASHER . . . . .	6
6	125410	. NUT . . . . .	6
7	173948	. SENDER ASSEMBLY . . . . .	1



13793

# FUEL GAUGE KIT

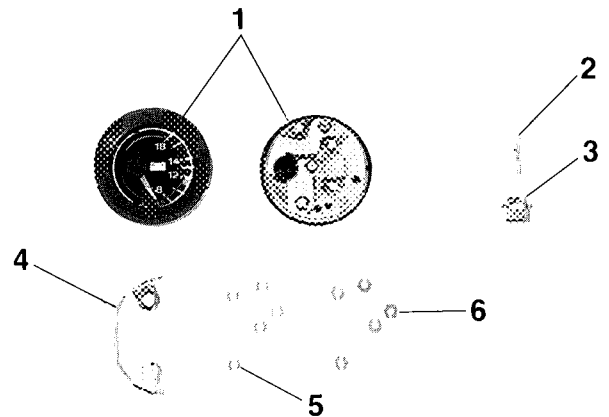


Ref.	P/N	Name of Part	Qty.
1	174686	FUEL GAUGE KIT. . . . .	1
2	125432	. BULB . . . . .	1
3	122553	. BULB SOCKET . . . . .	1
4	125409	. BRACKET, Instrument mounting . . .	1
5	125411	. LOCKWASHER . . . . .	6
6	125410	. NUT. . . . .	6

13795

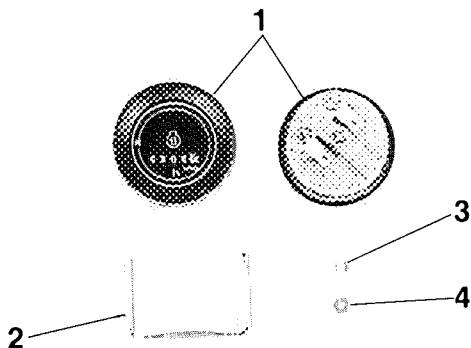
# VOLTMETER KIT

Ref.	P/N	Name of Part	Qty
1	174687	VOLTMETER KIT . . . . .	1
2	125432	. BULB . . . . .	1
3	122553	. BULB SOCKET . . . . .	1
4	125409	. BRACKET, Instrument mounting . . .	1
5	125411	. LOCKWASHER . . . . .	5
6	125410	. NUT . . . . .	5



13796

# HOUR METER KIT

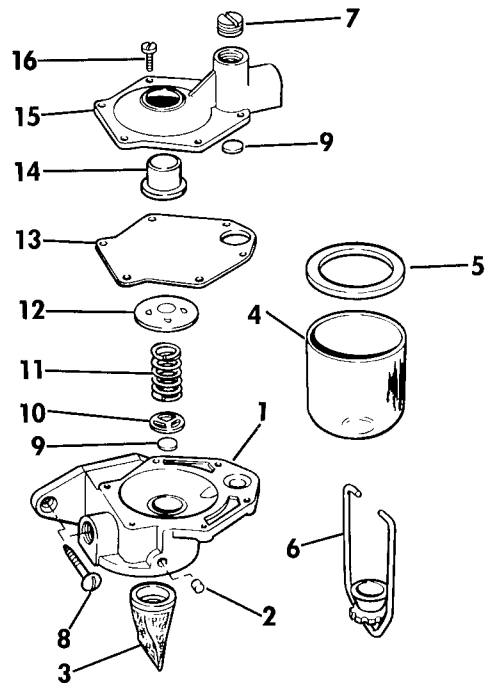


Ref.	P/N	Name of Part	Qty.
1	174688	HOUR METER KIT . . . . .	1
2	125412	. BRACKET, Instrument mounting . . .	1
3	303701	. LOCKWASHER, Instrument mtg. . .	1
4	328712	. NUT, Instrument mounting . . . . .	1

13775

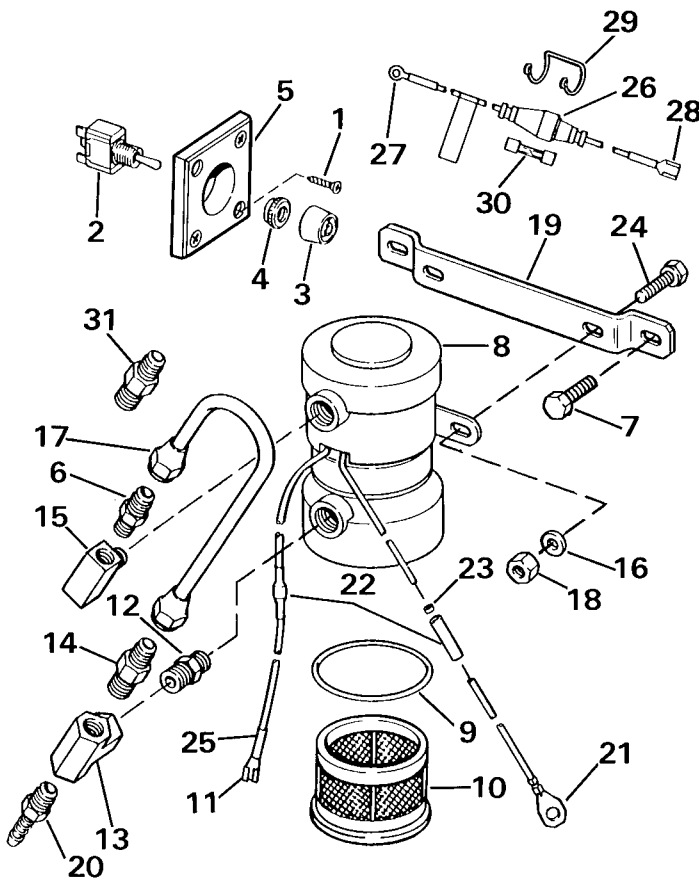
# PRIMER PUMP KIT - 1.6 LITRE MODELS ONLY

Ref.	P/N	Name of Part	Qty.
1	984867	PRIMER PUMP KIT ASSY. . . . .	1
2	305243	. PLUG, Core . . . . .	1
3	305185	. FILTER, Fuel . . . . .	1
4	330810	. BOWL, Filter . . . . .	1
5	333449	. GASKET . . . . .	1
6	389686	. THUMB NUT & YOKE ASSY.. . . .	1
7	324076	. PLUG, Pipe. . . . .	1
8	303675	. SCREW, Wood. . . . .	2
9	303614	. VALVE, Disc . . . . .	2
10	303420	. RETAINER, Valve . . . . .	1
11	301803	. SPRING . . . . .	1
12	305714	. SUPPORT. . . . .	1
13	333451	. DIAPHRAGM . . . . .	1
14	305713	. BUTTON, Push . . . . .	1
15	305717	. HOUSING . . . . .	1
16	306431	. SCREW . . . . .	6



834013

# ELECTRIC PRIMER PUMP ASSY. - ALL MODELS



Ref. No.	P/N	Name of Part	Qty.
*	174651	ELECTRIC PRIMER PUMP ASSY	1
1	125308	SCREW, Bezel	2
2	393125	SWITCH, Primer	1
3	310781	COVER, Switch	1
4	310782	NUT, Switch	1
5	125318	BEZEL, Primer switch	1
6	329586	FLANGE, Connection	1
7	124073	LAG SCREW	2
*	398390	FUEL PUMP ASSY	1
8	398391	FUEL PUMP	1
9	333417	O-RING	1
10	333416	FILTER, Pump	1
11	511828	TERMINAL	1
12	329587	FITTING, Reducer	1
13	329589	TEE, Large	1
14	394302	CHECK VALVE	1
15	329588	TEE, Small	1
16	328702	WASHER	2
17	394303	TUBE & NUT ASSY	1
18	328740	NUT	2
19	330548	BRACKET, Mounting	1
20	330552	NIPPLE, Inlet	1
21	204053	TERMINAL, Ring	1
22	320597	TUBING	2
23	510952	SPLICE	2
24	304027	SCREW	2
25	510781	SLEEVE	1
26	582955	LEAD ASSY	1
27	310502	TERMINAL, Ring	1
28	511828	TERMINAL	1
29	321077	RETAINER	1
30	512129	FUSE, 5 amp	1
31	330457	CONNECTOR	1

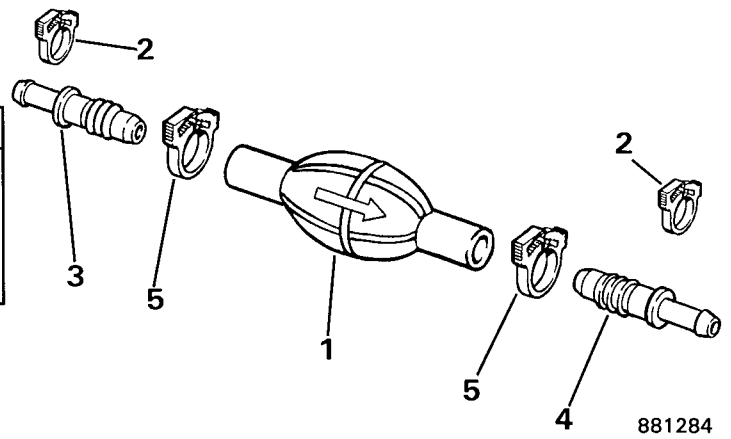
881286

\* Not Shown

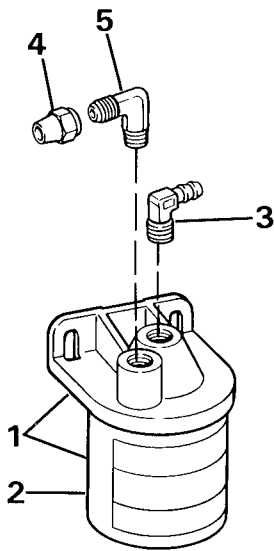
## PRIMER BULB KIT

BE553

Ref. No.	P/N	Name of Part	Qty.
1	174512	PRIMER BULB ASSY	1
2	329654	HOSE CLAMP	2
3	398455	NIPPLE & VALVE ASSY , Inlet	1
4	398456	NIPPLE & VALVE ASSY , Outlet	1
5	553166	HOSE CLAMP	2



## FUEL FILTER



BE625

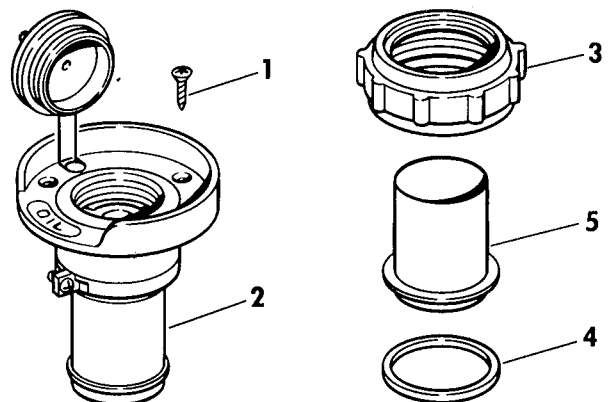
Ref. No.	P/N	Name of Part	Qty.
1	174176	OMC FUEL FILTER ASSY	1
2	174144	ELEMENT	1
*	174177	ELBOW KIT	2
3	909985	ELBOW	1
*	174178	ELBOW KIT	1
4	303608	FLARE NUT	1
5	124511	ELBOW, 90°	1

851234

## REMOTE OIL FILL KIT - 1.8 & 3.0 GALLON TANK

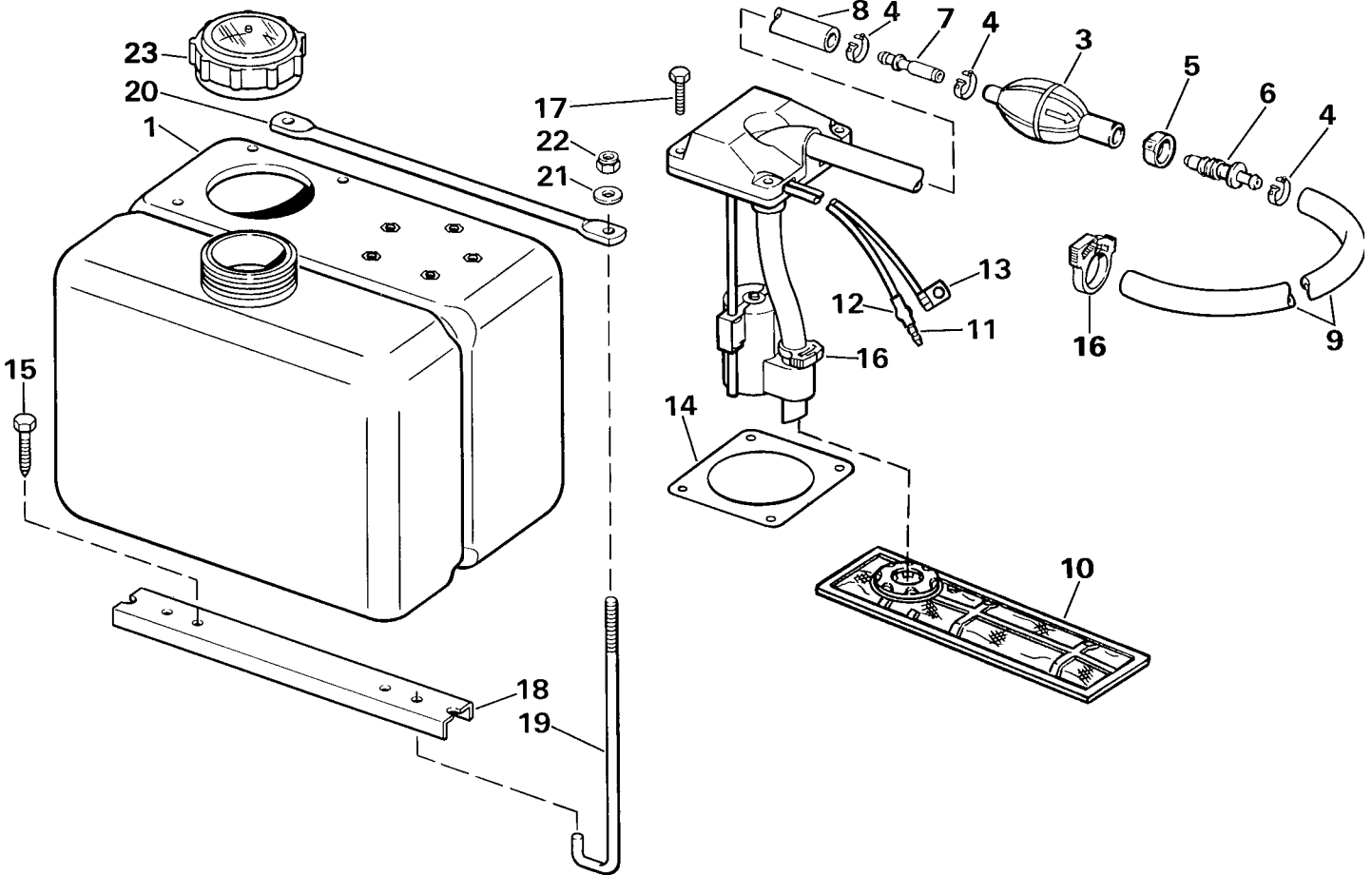
Ref. No.	P/N	Name of Part	Qty.
*	174133	REMOTE OIL FILL KIT	1
1	123678	SCREW, Mounting	3
2	174138	VENT AND DECK PLATE	1
3	124390	CAP, Oil fill	1
4	124388	GASKET	1
5	124389	TUBE	1
*	123956	FILL HOSE, 25 ft roll	AR
*	123955	VENT HOSE	AR

\* Not Shown



832159

# VRO® OIL TANK KIT - 1.8 & 3.0 GALLON



881318

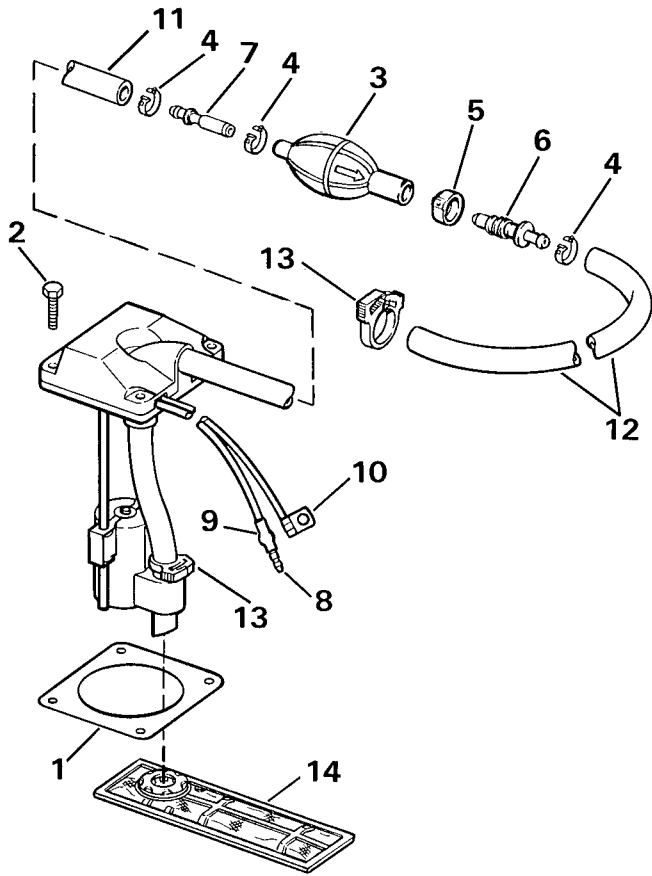
Ref.	P/N	Name of Part	Qty.
*	174637	OIL TANK KIT, (1.8 gallon)	1
*	174638	OIL TANK KIT, (3.0 gallon)	1
1	174164	OIL TANK ASSY (1.8 gallon)	1
1	174248	OIL TANK ASSY (3.0 gallon)	1
2	174659	OIL PICKUP ASSY (1.8 gallon)	1
2	174639	OIL PICKUP ASSY (3.0 gallon)	1
3	174157	PRIMER BULB ASSY.	1
4	303596	CLAMP, Hose, small	3
5	553166	CLAMP, Hose, large	1
6	396462	VALVE, Outlet	1
7	396461	VALVE, Inlet	1
8	124472	HOSE, Short 305mm (12 in.) long	1
9	124471	HOSE, Long 4.6m (180 in.) long	1
10	174377	FILTER, Pickup	1
11	125295	TERMINAL, Bullet	1

Ref	P/N	Name of Part	Qty
12	125294	SLEEVE	1
13	512131	TERMINAL, Ring	1
14	123906	GASKET	1
15	124073	MOUNTING SCREW	2
16	322654	CLAMP, Hose	2
17	124485	SCREW, Pickup to tank	4
18	124292	MOUNTING BRACKET (1.8 gallon)	1
18	124693	MOUNTING BRACKET (3.0 gallon)	1
19	124291	HOOK BOLT (1.8 gallon)	2
19	124691	HOOK BOLT (3.0 gallon)	2
20	124290	CROSS BAR (1.8 gallon)	1
20	124694	CROSS BAR (3.0 gallon)	1
21	121497	WASHER	2
22	121470	NUT	2
23	173851	CAP	1

\* Not Shown



# VRO® DUAL OIL TANK PICKUP KIT

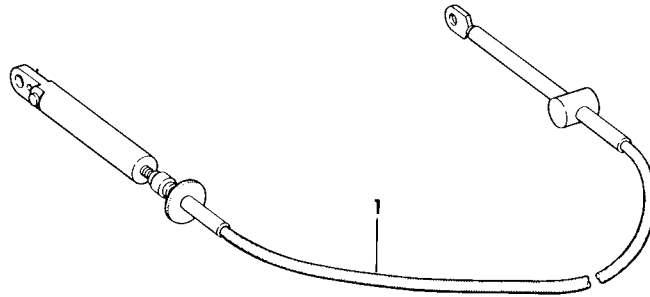


Ref.	P/N	Name of Part	Qty.
*	174639	DUAL OIL TANK PUMP KIT ①	1
1	123906	. GASKET, Pickup	1
2	124485	. SCREW, Pickup to tank	4
3	174157	. BULB, Primer	1
4	303596	. . CLAMP, Hose, small	3
5	553166	. . CLAMP, Hose, large.	1
6	396462	. . VALVE, Outlet	1
7	396461	. . VALVE, Inlet	1
8	125295	. TERMINAL, Bullet	1
9	125294	. SLEEVE	1
10	200179	. TERMINAL, Ring	1
11	124472	. HOSE, Short, 305mm (12 in ) long	1
12	124471	. HOSE, Long, 4,6m (180 in ) long	1
13	322654	. HOSE, Clamp	2
14	174377	. FILTER	1

\* Not Shown  
 ① 3.0 Gallon Tank Only

881310

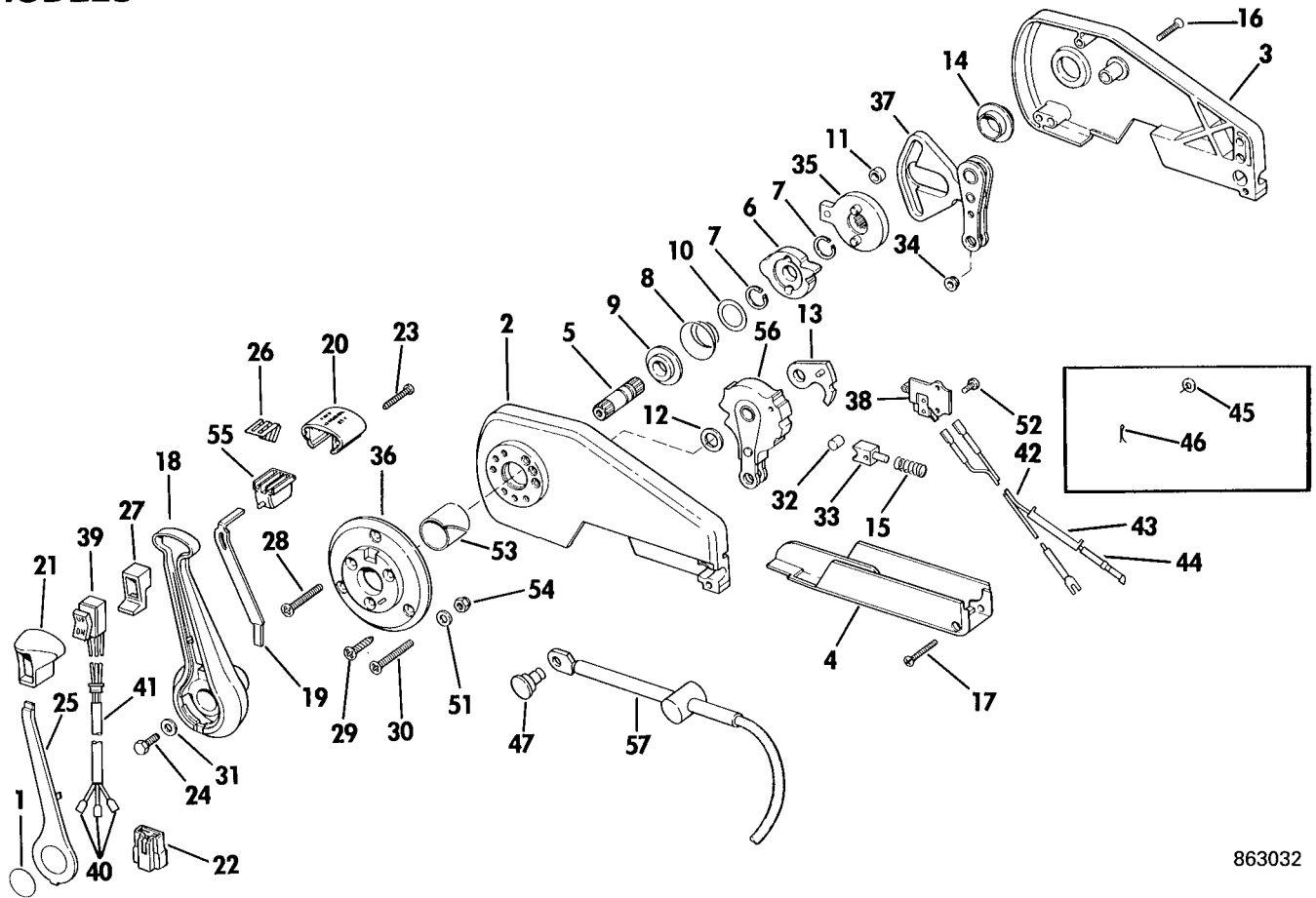
## OMC Snap-In® Cables



94050

Ref. No.	P/N	Name of Part	Qty.	Ref. No.	P/N	Name of Part	Qty.
1	173110	CABLE ASSEMBLY, 10 ft	1	1	173126	CABLE ASSEMBLY, 26 ft	1
1	173111	CABLE ASSEMBLY, 11 ft	1	1	173128	CABLE ASSEMBLY, 28 ft	1
1	173112	CABLE ASSEMBLY, 12 ft	1	1	173130	CABLE ASSEMBLY, 30 ft	1
1	173113	CABLE ASSEMBLY, 13 ft	1	1	173132	CABLE ASSEMBLY, 32 ft	1
1	173114	CABLE ASSEMBLY, 14 ft	1	1	173134	CABLE ASSEMBLY, 34 ft	1
1	173115	CABLE ASSEMBLY, 15 ft	1	1	173136	CABLE ASSEMBLY, 36 ft	1
1	173116	CABLE ASSEMBLY, 16 ft	1	1	173138	CABLE ASSEMBLY, 38 ft	1
1	173117	CABLE ASSEMBLY, 17 ft	1	1	173140	CABLE ASSEMBLY, 40 ft	1
1	173118	CABLE ASSEMBLY, 18 ft	1	1	173142	CABLE ASSEMBLY, 42 ft	1
1	173119	CABLE ASSEMBLY, 19 ft	1	1	173144	CABLE ASSEMBLY, 44 ft	1
1	173120	CABLE ASSEMBLY, 20 ft	1	1	173146	CABLE ASSEMBLY, 46 ft	1
1	173122	CABLE ASSEMBLY, 22 ft	1	1	173148	CABLE ASSEMBLY, 48 ft	1
1	173124	CABLE ASSEMBLY, 24 ft	1	1	173150	CABLE ASSEMBLY, 50 ft	1

# REMOTE CONTROL ASSEMBLY - CONCEALED SIDE MOUNT ALL MODELS



863032

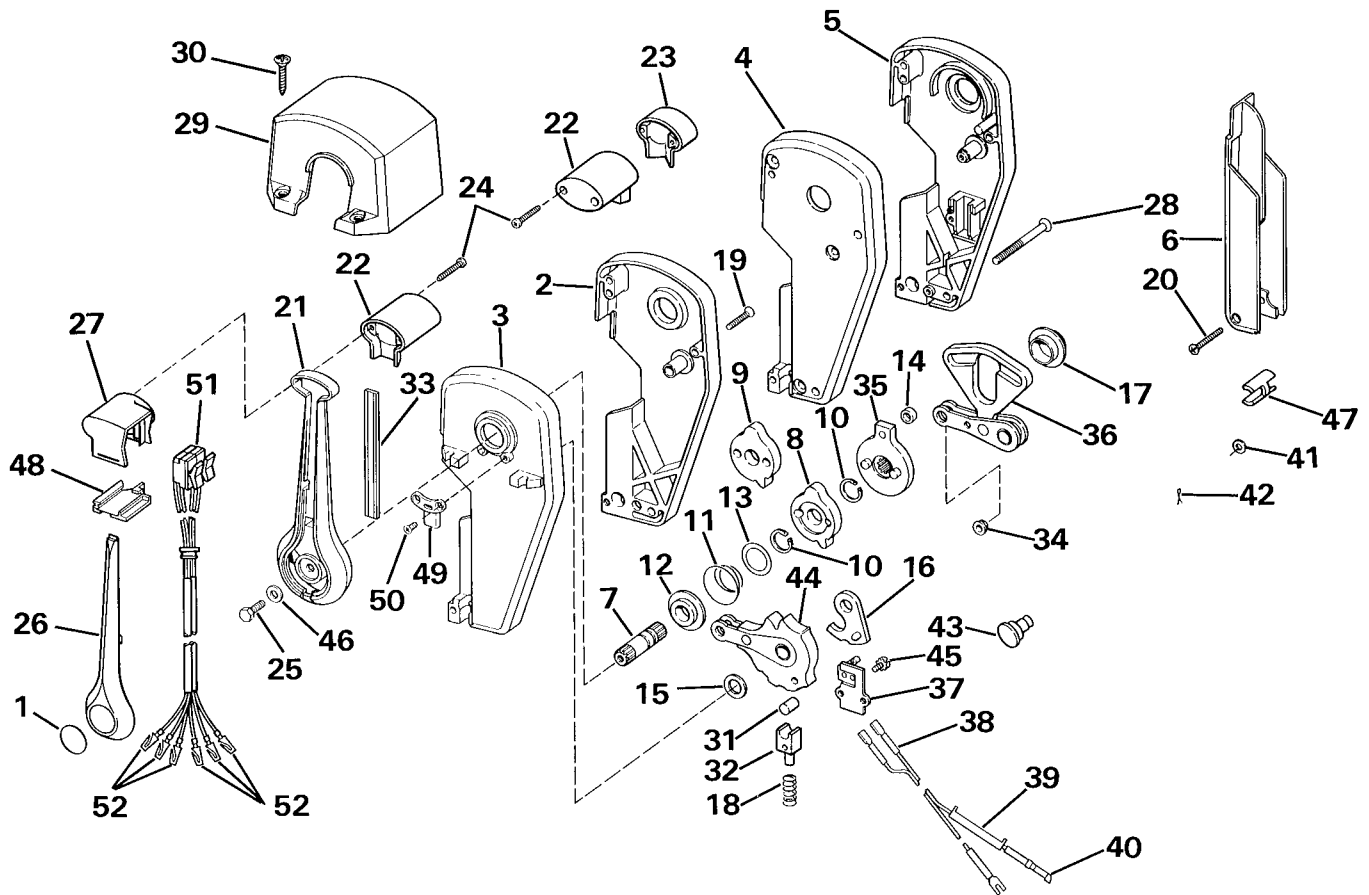
Ref.	P/N	Name of Part	Qty.
*	174280	REMOTE CONTROL ASSY - Concealed side mt w/trim switch	1
1	123315	. APPLIQUE .	1
2	125455	. HOUSING, Control	1
3	125456	. HOUSING, Control	1
4	173598	. TRAY, Control housing.	1
5	123261	. SHAFT, Remote control	1
6	123496	. DRIVE GEAR, Shift	1
7	123264	. RETAINING RING, Drive gear	2
8	123265	. SPRING, Drive gear return	1
9	123266	. BUSHING, Shaft to housing.	1
10	123267	. WASHER	1
11	123268	. ROLLER, Throttle cam	1
12	123269	. WASHER, Shift arm	1
13	123270	. CAM, Neutral switch	1
14	123271	. BUSHING, Throttle hub	1
15	909859	. SPRING, Detent	1
16	123273	. SCREW, Control housing	3
17	123274	. SCREW, Tray to housing	1
18	123279	. HANDLE, Side mount	1
19	123281	. PLATE, Neutral lock	1
20	123531	. KNOB, Lockout button	1
21	123535	. KNOB, Trim switch.	1
22	313113	. TERMINAL HOUSING.	1
23	123533	. SCREW, Knob to handle	2
24	123290	. SCREW, Handle to shaft	1
25	123293	. COVER, Handle	1
26	123443	. SPRING, Neutral lock.	1
27	123536	. GROMMET, Trim switch	1
28	123312	. SCREW, Mounting flange	3

Ref	P/N	Name of Part	Qty.
29	123316	. SCREW, Flange to boat	3
30	123317	. SCREW, Flange to boat	3
31	901893	. WASHER, Handle to shaft	1
32	123341	. ROLLER, Detent	1
33	123342	. SHOE, Detent roller	1
34	123350	. BUSHING	2
35	173571	. THROTTLE HUB ASSEMBLY	1
36	173477	. MOUNTING FLANGE & PIN	1
37	173478	. THROTTLE CAM & ARMS ASSY.	1
38	173480	. NEUTRAL START SWITCH ASSY.	1
39	174285	. TRIM SWITCH AND LEAD ASSY..	1
40	825886	. TERMINAL	3
41	510628	. SLEEVE	1
42	173572	. LEAD ASSY, Neutral start switch	1
43	303806	. TUBING	1
44	308808	. TERMINAL	1
	*	. CABLE MOUNT HDW KIT	1
45	303887	. WASHER	2
46	305650	. COTTER PIN	2
47	323776	. CLEVIS PIN, Snap-in cable	2
51	328700	. WASHER, Mounting screw.	3
52	308545	. SCREW, To housing	1
53	123495	. BUSHING	1
	*	. TERMINAL	1
54	900402	. LOCKNUT, Mounting screw	3
55	173499	. LOCKOUT BUTTON ASSEMBLY	1
56	173542	. SHIFT GEAR & ARMS ASSY.	1
57	**	OMC SNAP-IN OR OMC LONG-LIFE THROTTLE AND SHIFT CABLES	AR

\* Not Shown

\*\* See Page 17

# REMOTE CONTROL ASSEMBLY - BINNACLE MOUNT - DUAL LEVER



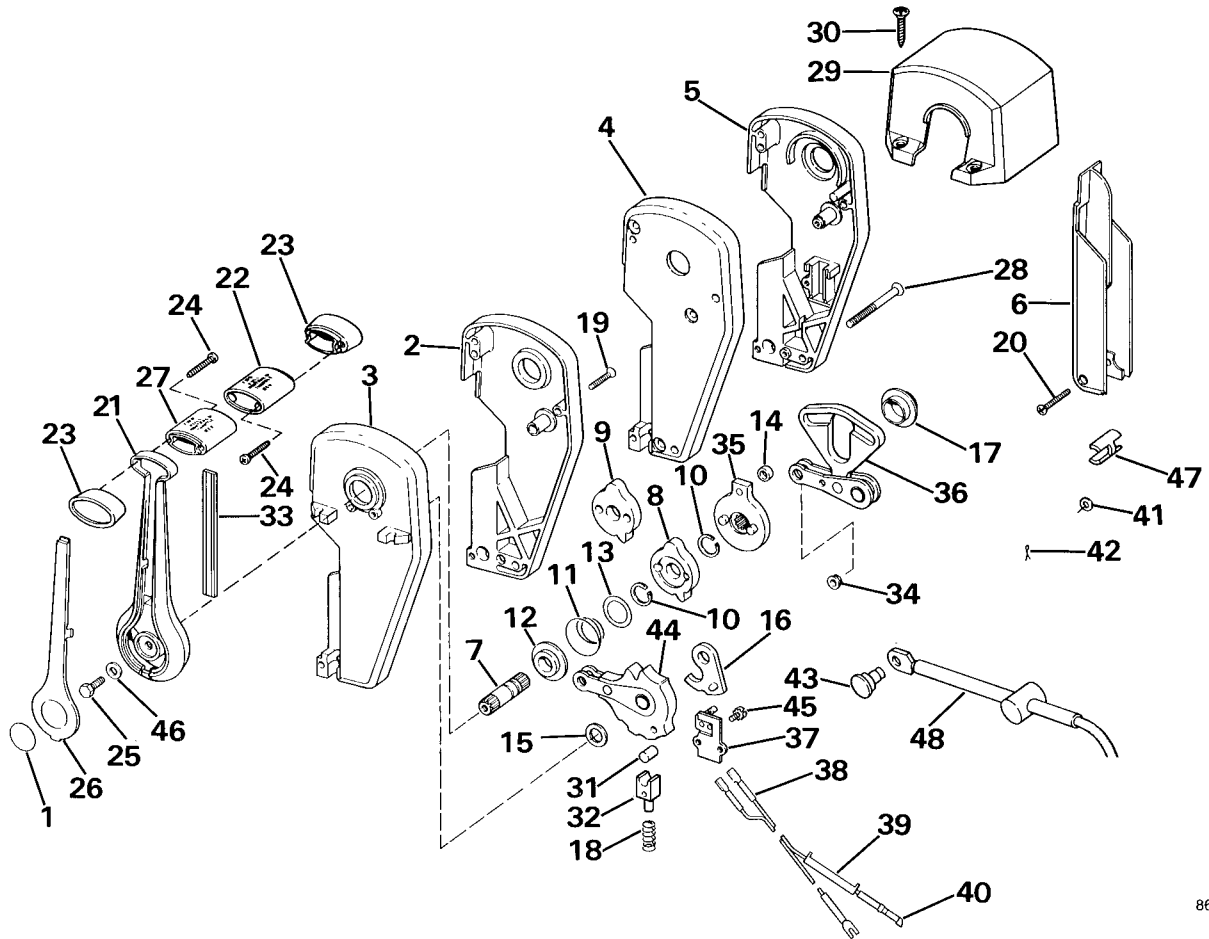
883032

Ref.	P/N	Name of Part	Qty
*	174633	REMOTE CONTROL ASSEMBLY - BINNACLE MOUNT, Dual lever.	1
1	123315	. APPLIQUE	2
2	125456	. HOUSING	1
3	125457	. HOUSING	1
4	125459	. HOUSING	1
5	125460	. HOUSING	1
6	173598	. TRAY, Control housing.	2
7	123261	. SHAFT, Remote control	2
8	123496	. DRIVE GEAR, Starboard.	1
9	123497	. DRIVE GEAR, Port	1
10	123264	. RETAINING RING	4
11	123265	. SPRING, Drive gear return	2
12	123266	. BUSHING, Shaft to housing.	2
13	123267	. WASHER, Return spring	2
14	123268	. ROLLER, Throttle cam	2
15	123269	. WASHER, Shaft arm	2
16	123270	. CAM, Neutral switch	2
17	123271	. BUSHING, Throttle hub	2
18	909859	. SPRING, Detent	2
19	123273	. SCREW, Control housing	6
20	123274	. SCREW, Tray to housing	2
21	123278	. HANDLE, Side mount	2
22	125198	. KNOB, Center	2
23	125199	. KNOB, End cap	1
24	123533	. SCREW, Knob to handle	4
25	123290	. SCREW, Handle to shaft	2
26	123610	. COVER, Handle	2

Ref.	P/N	Name of Part	Qty.
27	125200	. KNOB, Switch hsg	1
28	123310	. SCREW, Binnacle, assembly	3
29	125151	. COVER	1
30	124894	. SCREW, Control mounting.	4
31	123341	. ROLLER, Detent	2
32	123342	. SHOE, Detent roller	2
33	123343	. TRIM, Insert	2
34	123350	. BUSHING	4
35	173571	. THROTTLE HUB ASSEMBLY	2
36	173478	. THROTTLE CAM AND ARMS ASSEMBLY	2
37	173480	. NEUTRAL STRT SWITCH	2
38	173572	. LEAD ASSEMBLY	2
39	303806	. TUBING	1
40	308808	. TERMINAL	1
*	982048	. CABLE MOUNTING HARDWARE KIT	2
41	303887	. WASHER	2
42	305650	. COTTER PIN	2
43	323776	. CLEVIS PIN, Snap-in cable	2
44	173542	. SHIFT GEAR AND ARMS ASSY.	2
45	308545	. SCREW	2
46	901893	. WASHER	2
47	123439	. SPACER, Control cable	1
48	125197	. HATCH, Switch knob	1
49	125196	. RETAINER, Switch leads	1
50	123340	. SCREW, Retainer	1
51	174632	. TRIM SWITCH & LEAD	1
52	313005	. TERMINAL	6

\* Not Shown

# REMOTE CONTROL ASSEMBLY - BINNACLE MOUNT DUAL LEVER



863148

DK108

Ref. No.	P/N	Name of Part	Qty.	Ref. No.	P/N	Name of Part	Qty.
*	174562	REMOTE CONTROL ASSEMBLY - BINNACLE MOUNT, Dual lever		27	123540	. KNOB, Binnacle, port	1
1	123315	. APPLIQUE	1	28	123310	. SCREW, Binnacle, assembly	3
2	123245	. HOUSING	1	29	125151	. COVER, Mechanism	1
3	123246	. HOUSING	1	30	124894	. SCREW, Control mounting	4
4	123248	. HOUSING	1	31	123341	. ROLLER, Detent	2
5	123249	. HOUSING	1	32	123342	. SHOE, Detent roller	2
6	173598	. TRAY, Control housing	2	33	123343	. TRIM, Insert	2
7	123261	. SHAFT, Remote control	2	34	123350	. BUSHING	4
8	123496	. DRIVE GEAR, Starboard	1	35	173571	. THROTTLE HUB ASSEMBLY	2
9	123497	. DRIVE GEAR, Port	1	36	173478	. THROTTLE CAM AND ARMS ASSEMBLY	2
10	123264	. RETAINING RING	4	37	173480	. NEUTRAL STRT SWITCH	2
11	123265	. SPRING, Drive gear return	2	38	173572	. LEAD ASSEMBLY	2
12	123266	. BUSHING, Shaft to housing	2	39	303806	. TUBING	1
13	123267	. WASHER, Return spring	2	40	308808	. TERMINAL	1
14	123268	. ROLLER, Throttle cam	2	*	982048	. CABLE MOUNTING HARDWARE KIT	2
15	123269	. WASHER, Shaft arm	2	41	303887	. WASHER	2
16	123270	. CAM, Neutral switch	2	42	305650	. COTTER PIN	2
17	123271	. BUSHING, Throttle hub	2	43	323776	. CLEVIS PIN, Snap-in cable	2
18	909859	. SPRING, Detent	2	44	173542	. SHIFT GEAR AND ARMS ASSY.	2
19	123273	. SCREW, Control housing	6	45	308545	. SCREW	2
20	123274	. SCREW, Tray to housing	2	*	308808	. TERMINAL	2
21	123278	. HANDLE, Side mount	2	46	901893	. WASHER	2
22	123539	. KNOB, Binnacle, starboard	1	47	123439	. SPACER, Control cable	1
23	123532	. END CAP, Knob port & starboard	2	48	+	OMC SNAP-IN THROTTLE AND SHIFT CABLES	AR
24	123533	. SCREW, Knob to handle	4				
25	123290	. SCREW, Handle to shaft	2				
26	123292	. COVER, Handle	2				

\* Not Shown  
+ See Page 17



## **United States of America**

**OMC Parts & Accessories  
3225 N. Prairie Avenue  
Beloit, Wisconsin 53511 U.S.A.**

## **Canada**

**Outboard Marine Corporation of Canada, Ltd.  
910 Monaghan Road  
Peterborough, Ontario, Canada  
K9J7B6 (postal code)**

## **Caribbean, Mexico, Central America, South America**

**Outboard Marine International, Inc.  
403 Sawgrass Corporate Parkway  
Sunrise, Florida 33325 U.S.A.**

## **Europe, Middle East, Africa**

**Outboard Marine Belgium, N.V.  
Pathoekeweg 120  
8000 Brugge, Belgium**

## **Australia, New Zealand, Southwest Pacific**

**Outboard Marine Australia Pty. Ltd.  
84 Canterbury Road  
Bankstown, New South Wales  
Australia, Sydney 70-0701**

## **Bangladesh, Brunei, Burma, Guam, Hong Kong, India, Indonesia, Japan, Korea, Macau, Malaysia, Maldives, Micronesia, Pakistan, People's Republic of China, Philippines, Singapore, Sri Lanka, Taiwan, Thailand**

**Outboard Marine Asia, Ltd.  
Attn: W. Mui  
No. 35-47, Tsing Yi Road  
Tsing Yi Island, N.T.  
Hong Kong**



A PRODUCT GROUP OF OUTBOARD MARINE CORPORATION

200 SEA HORSE DRIVE • WAUKEGAN, ILLINOIS • 60085