



PARTS CATALOG OPTIONAL EQUIPMENT

16AMPHD

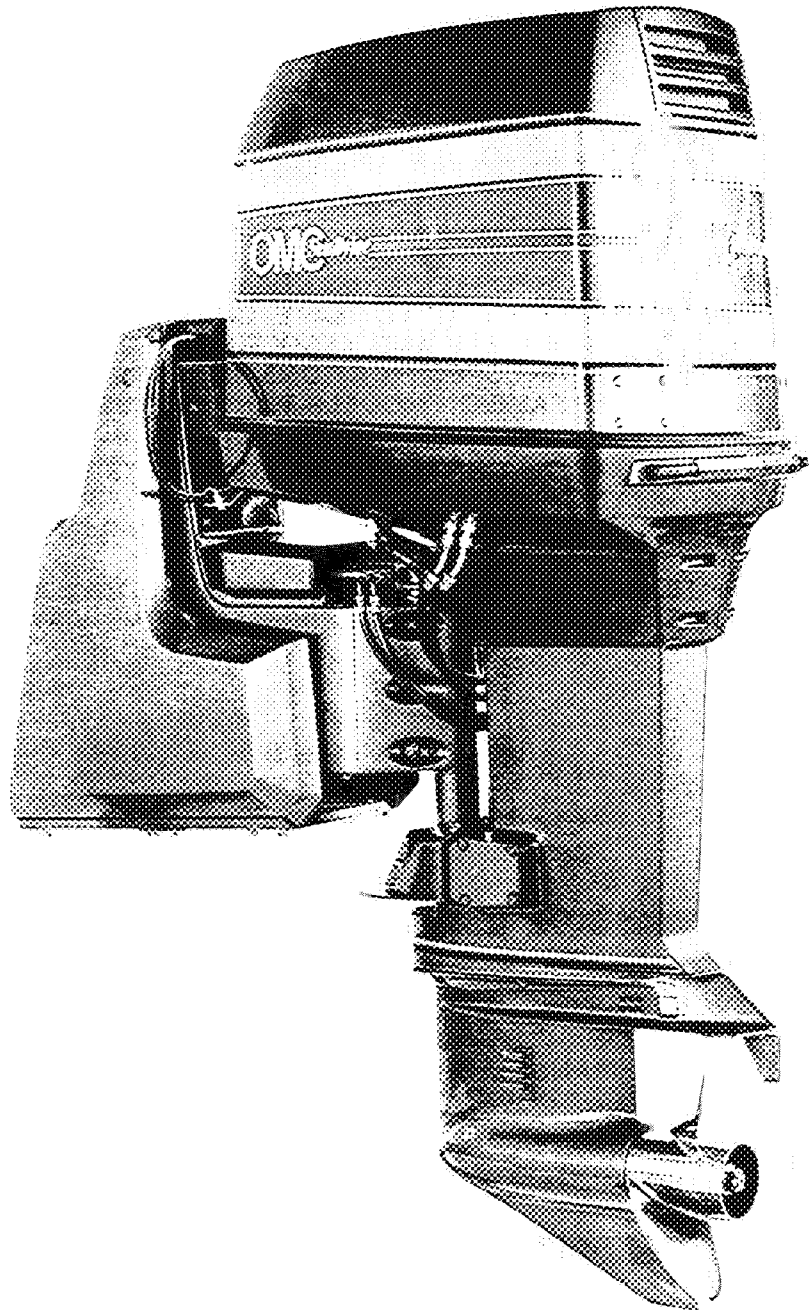
18AHPHD

27APPHD

27ASPHD

36APPHD

36ASPHD





SAFETY WARNING

Note

WHEN REPLACEMENT PARTS ARE REQUIRED, USE GENUINE OMC PARTS OR PARTS WITH EQUIVALENT CHARACTERISTICS INCLUDING TYPE, STRENGTH, AND MATERIAL. FAILURE TO DO SO MAY RESULT IN PRODUCT MALFUNCTION AND POSSIBLE INJURY TO THE OPERATOR AND/OR PASSENGERS.

OUTBOARD MARINE CORPORATION, MANUFACTURER OF OMC SEA DRIVE® MARINE POWER SYSTEM, RESERVES THE RIGHT TO MAKE CHANGES AT ANY TIME, WITHOUT NOTICE, IN SPECIFICATIONS AND MODELS AND ALSO TO DISCONTINUE MODELS. THE RIGHT IS ALSO RESERVED TO CHANGE ANY SPECIFICATIONS OR PARTS AT ANY TIME WITHOUT INCURRING ANY OBLIGATION TO EQUIP SAME ON MODELS MANUFACTURED PRIOR TO DATE OF SUCH CHANGE

WHILE THE INFORMATION CONTAINED IN THIS PARTS CATALOG IS BASED ON THE LATEST PRODUCT INFORMATION AVAILABLE AT THE TIME OF PUBLICATION, THE CONTINUING ACCURACY OF THIS PARTS CATALOG CANNOT BE GUARANTEED.

ALL ILLUSTRATIONS USED IN THIS PARTS CATALOG MAY NOT DEPICT ACTUAL MODELS OR EQUIPMENT AND ARE INTENDED AS REPRESENTATIVE VIEWS FOR REFERENCE ONLY.

Note

THIS PARTS CATALOG SHOULD NOT BE USED IN LIEU OF A SERVICE MANUAL. ORDER YOUR SERVICE MANUAL OR OWNER'S MANUAL FROM YOUR NEAREST MARKETING DIVISION, SEE REAR COVER.

SUPPLY MODEL AND SERIAL NUMBER OF ENGINE FROM NAMEPLATE ATTACHED TO THE LOWER ENGINE COVER WHEN REQUESTING A SERVICE MANUAL OR OWNER'S MANUAL.

TABLE OF CONTENTS

	PAGE
TRIM/TILT SWITCH CONVERSION KIT	4
WIRING KIT - SINGLE LEVER CONTROLS WITHOUT EMERGENCY	
IGNITION CUTOFF SWITCH	4
SYNCHRONIZATION VALVE - DUAL ENGINES	5
TRIM/TILT SWITCH CONVERSION KIT - DUAL ENGINES	6
SELECTRIM®/GAUGE & CABLE	6
CABLE ASSEMBLY - BATTERY TO JUNCTION BOX	6
EXTENSION HARNESS - INSTRUMENTS	6
SECOND STATION CABLE KIT - SELECTRIM/TILT	7
SECOND STATION CABLE KIT - INSTRUMENTS	7
EXTENSION CABLE - TRIM	7
QUARTACH™ TACHOMETER - FLUSH MOUNT -	
DIGITAL - PLUG IN	7
WATER TEMPERATURE GAUGE KIT	7
TACHOMETER KIT - PLUG IN	8
WATER PRESSURE GAUGE KIT	8
QUARTACH™ TACHOMETER - FLUSH MOUNT - DIGITAL	8
VOLTMETER KIT	9
SPEEDOMETER KIT - FLUSH MOUNT	9
FUEL GAUGE KIT	9
SPEEDOMETER LIGHT KIT	9
TIME INDICATOR KIT	9
THRU TRANSOM KIT	10
DUAL CABLE STEERING KIT	10
PRIMER PUMP KIT	11
ELECTRIC PRIMER PUMP ASSEMBLY	11
PRIMER BULB KIT	12
OIL LEVEL GAUGE & SENDING UNIT	12
FUEL FILTER	12
VRO® REMOTE OIL FILL KIT	12
VRO® OIL TANK KIT - 1 8 & 3 0 GALLON	13
VRO® OIL TANK KIT - 3 5 & 7 GALLON	14
VRO® DUAL OIL TANK PICKUP KIT	15
OMC SNAP-IN™ CABLES	15
REMOTE CONTROLS	16 thru 20

E S NO	COLOR	SPRAY	QT CAN
318	WHITE	172756	N/A
1655	PRIMER	171757	376015
1696	SILVER	395031	174032
1730	GRAY	395127	N/A
1766	SILVER GRAY	282988	N/A

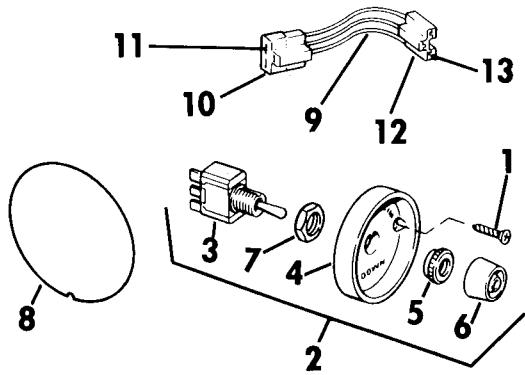
INDENTED PART NAMES INDICATE THAT THESE PARTS ARE INCLUDED IN PRECEDING ASSEMBLY

SPECIFY MODEL AND SERIAL NUMBER OF ENGINE WHEN
ORDERING PARTS ORDER ALL PARTS FROM YOUR
LOCAL AUTHORIZED DEALER

PART NUMBERS NEW FOR THIS MODEL YEAR CAN BE
IDENTIFIED BY THE BOX SYMBOL ■ IN NAME OF PART COLUMN

TRIM/TILT SWITCH CONVERSION KIT

BQ119

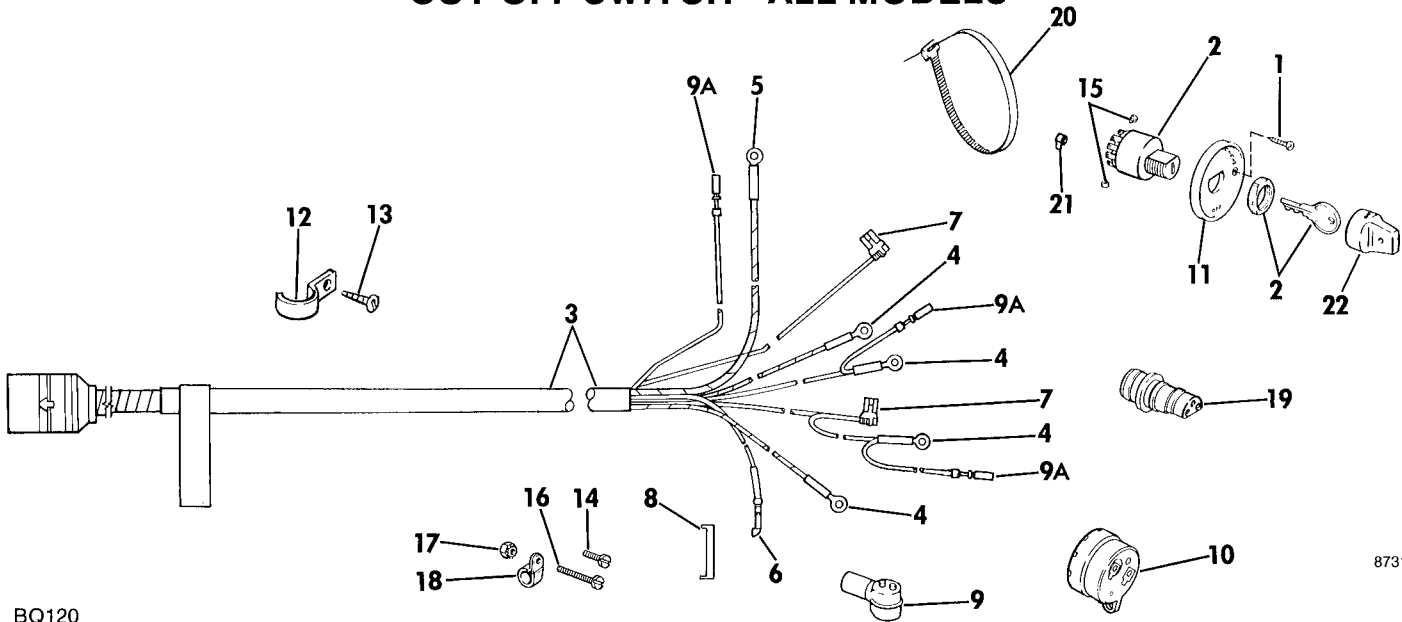


Ref. No.	P/N	Name of Part	Qty.
*	174290	TRIM/TILT CONVERSION KIT	1
1	122481	SCREW, Bezel	2
2	172899	TRIM SWITCH ASSEMBLY	1
3	976443	SWITCH, Power tilt	1
4	122849	BEZEL, Trim switch	1
5	310782	NUT, Switch	1
6	310781	COVER, Switch	1
7	900185	NUT	1
8	327490	APPLIQUE	1
9	389726	TILT TRIM JUMPER KIT	1
10	311742	CONNECTOR	1
11	309435	TERMINAL	3
12	313113	CONNECTOR	1
13	825886	TERMINAL	3

822077

* Not Shown

WIRING KIT - SINGLE LEVER CONTROLS WITHOUT EMERGENCY IGNITION CUT OFF SWITCH - ALL MODELS



873109

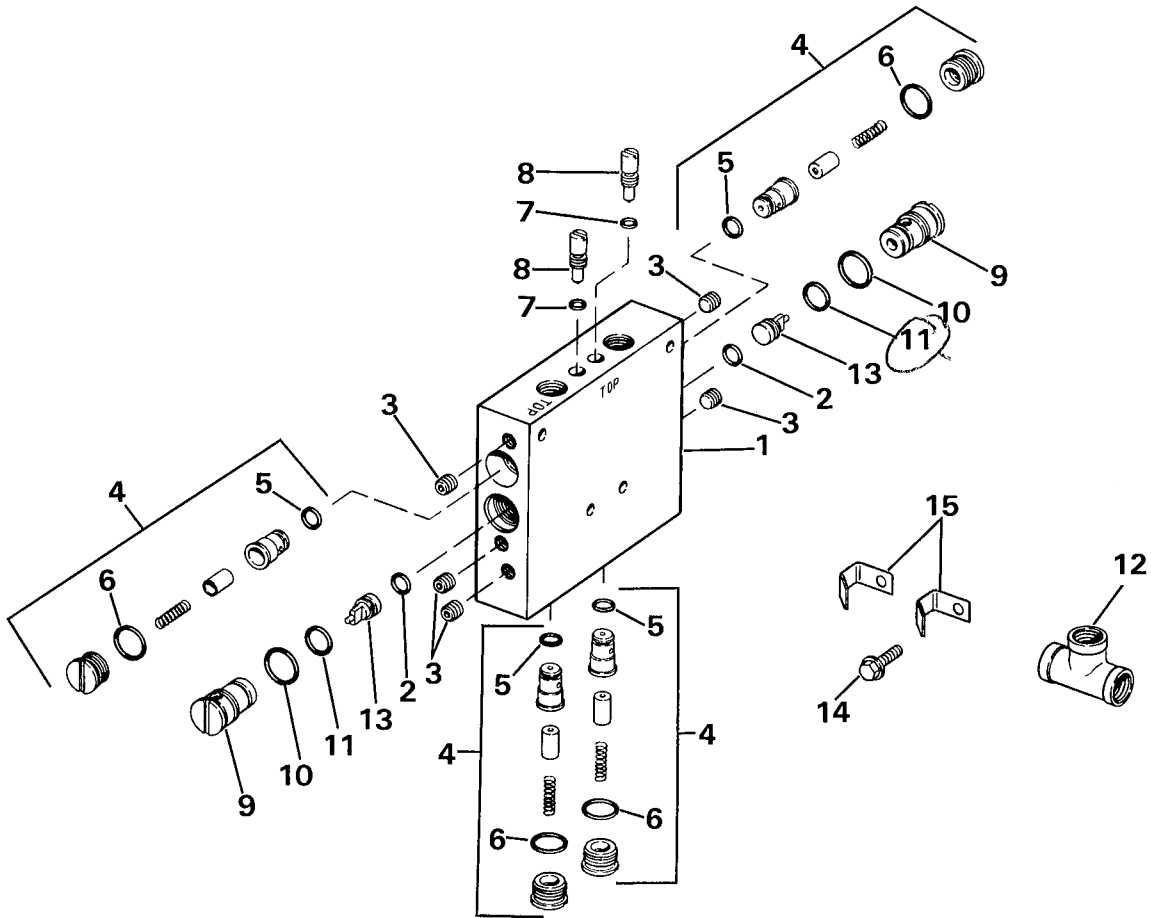
BQ120

Ref. No.	P/N	Name of Part	Qty.	Ref. No.	P/N	Name of Part	Qty.
*	173769	WIRING KIT, Single lever controls, 20'	1	9	322815	COVER	1
*	174141	WIRING KIT, Single lever controls, 28'	1	9A	581656	SOCKET	3
1	122481	SCREW, Panel mounting	2	10	389263	HORN ASSEMBLY	1
†2	393301	SWITCH & KEY	1	11	323272	MOUNTING PANEL PLATE	1
3	173826	INSTRUMENT CABLE ASSEMBLY, 20'	1	12	304494	CLAMP	4
3	174139	INSTRUMENT CABLE ASSEMBLY, 28'	1	13	305009	SCREW	4
4	510780	RING TERMINAL	3	14	306286	SCREW, Clamp to dash	2
5	204038	RING TERMINAL	1	15	306559	SCREW, Terminals	6
6	308808	TERMINAL	1	16	307190	SCREW, Clamp to dash	1
7	309437	FLAG TERMINAL	2	17	308335	NUT, Clamp screw	2
8	316198	TUBING	1	18	316669	CLAMP, Cable to dash	2
				19	511990	3 PIN CONNECTOR	1
				20	320107	TIE STRAP	3
				21	123975	COVER, Switch	1
				22	332179	KNOB, Push	1

* Not Shown

† See Service Bulletin for Key Ordering Information

SYNCHRONIZATION VALVE - DUAL ENGINES - ALL HYDRAULIC STEERING MODELS



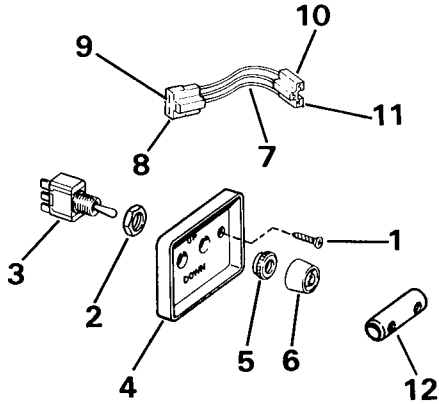
851217

BQ121

Ref. No.	P/N	Name of Part	Qty.	Ref. No.	P/N	Name of Part	Qty.
1	983430	SYNCHRONIZATION VALVE ASSY	1	9	983076	VALVE ASSY	2
2	202893	O-RING	2	10	319344	O-RING	1
3	321164	PLUG	5	11	910871	O-RING	1
4	984163	VALVE ASSY	4	12	910877	TEE, Steering lines	1
5	202893	O-RING	1	13	910873	PISTON, Flow control	1
6	326649	O-RING	1	14	911321	BOLT, Spacer	1
7	305739	O-RING	2	15	911313	SPACER	2
8	911254	NEEDLE VALVE	2				

TRIM/TILT SWITCH CONVERSION KIT - DUAL ENGINES

BQ122



Ref. No.	P/N	Name of Part	Qty.
*	174323	TRIM/TILT CONVERSION KIT - DUAL ENGINE	1
1	122481	SCREW, Bezel	2
2	900185	NUT	2
3	976443	SWITCH, Power tilt	2
4	124812	BEZEL, Trim switch	1
5	310782	NUT, Switch	2
6	310781	COVER, Switch	2
7	389726	TILT TRIM JUMPER KIT	2
8	311742	CONNECTOR	1
9	309435	TERMINAL	3
10	313113	CONNECTOR	1
11	825886	TERMINAL	3
12	125006	HANDLE	1

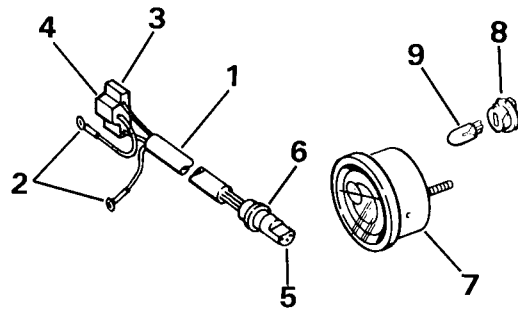
861505

* Not Shown

SELECTRIM GAUGE & CABLE - ALL MODELS

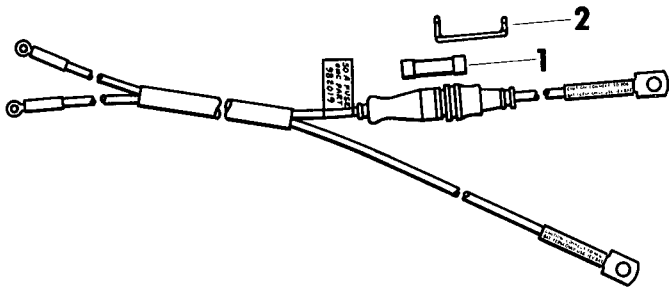
BQ123

Ref. No.	P/N	Name of Part	Qty.
1	174348	CABLE ASSEMBLY, 20'	
2	204036	RING TERMINAL	2
3	309474	CONNECTOR	1
4	309433	TERMINAL, Housing	3
5	581656	SOCKET ASSEMBLY	3
6	512747	CONNECTOR	1
7	983466	TRIM POSITION INDICATOR GAUGE KIT	1
8	122553	SOCKET	1
9	122552	BULB	1



843043

CABLE ASSEMBLY - BATTERY TO JUNCTION BOX - ALL MODELS



834090

BQ54

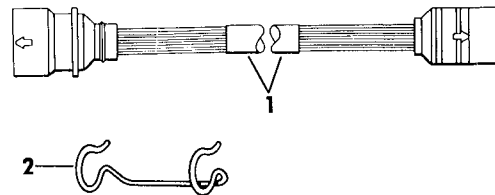
Ref. No.	P/N	Name of Part	Qty.
*	983601	CABLE ASSEMBLY KIT	1
1	982019	FUSE	1
2	910330	RETAINER, Fuse	1

* Not Shown

EXTENSION HARNESS - INSTRUMENTS - ALL MODELS

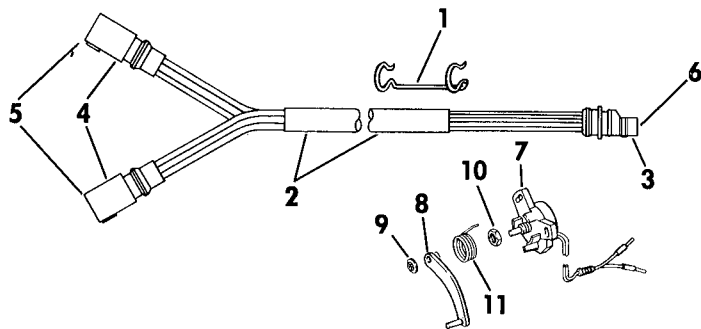
BQ55

Ref. No.	P/N	Name of Part	Qty.
1	173771	CABLE ASSEMBLY, 10 ft	1
2	315182	CLAMP	1



33819

SECOND STATION CABLE KIT - SELECTRIM/TILT - ALL MODELS



BQ124

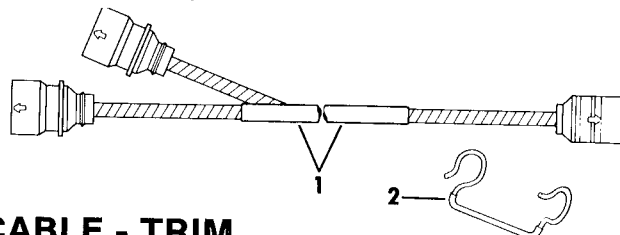
Ref. No.	P/N	Name of Part	Qty.
1	512742	RETAINER	2
2	984284	CONNECTOR ASSEMBLY	1
3	512747	CONNECTOR	1
4	512748	CONNECTOR	2
5	511469	PIN	6
6	581656	SOCKET ASSEMBLY	3
7	985079	SENDING UNIT	1
8	912602	ARM	1
9	511527	RETAINER	1
10	320689	NUT	1
11	910790	SPRING	1

863026

SECOND STATION CABLE KIT - INSTRUMENTS

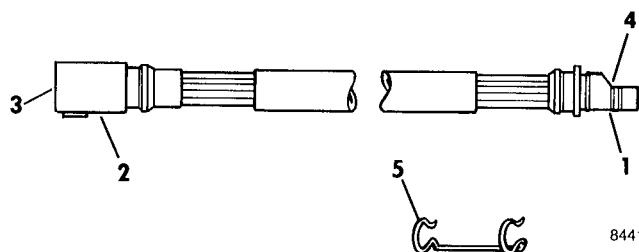
BQ57

Ref. No.	P/N	Name of Part	Qty.
1	983017	CABLE ASSEMBLY	1
2	315182	CLAMP	2



824174

EXTENSION CABLE - TRIM



84410

BQ125

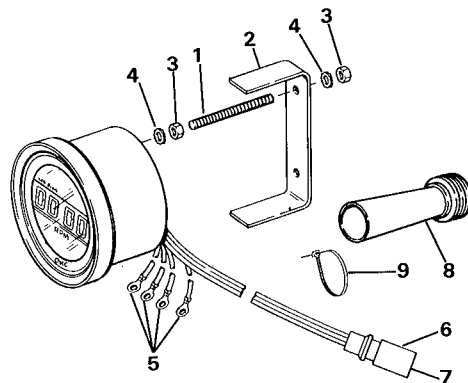
Ref. No.	P/N	Name of Part	Qty.
*	984310	CABLE ASSEMBLY, 10 ft	1
1	512747	CONNECTOR	1
2	512748	CONNECTOR	1
3	511469	PIN	3
4	581656	SOCKET ASSEMBLY	3
5	512742	RETAINER	1

* Not Shown

QUARTACH™ TACHOMETER - FLUSH MOUNT - DIGITAL - PLUG IN

BQ126

Ref. No.	P/N	Name of Part	Qty.
*	174195	QUARTACH™ TACHOMETER	1
1	123641	STUD, Mounting	2
2	123642	BRACKET, Mounting	1
3	133079	NUT, Mounting	4
4	306991	LOCKWASHER, Mounting	4
5	124343	RING TERMINAL	4
6	511465	CONNECTOR	1
7	511469	PIN	3
8	124280	BOOT	1
9	320107	TIE STRAP	1



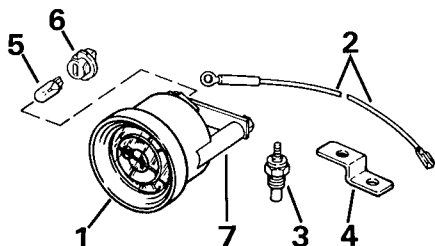
863034

* Not Shown

WATER TEMPERATURE GAUGE KIT

BQ127

Ref. No.	P/N	Name of Part	Qty.
*	174098	WATER TEMPERATURE GAUGE KIT, Black bezel	1
1	174090	GAUGE ASSY, Black bezel	1
2	172828	LEAD ASSY, sending unit to gauge	2
3	172843	SENDING UNIT ASSY	1
4	122787	BRACKET, Mounting	2
5	122552	BULB	1
6	122553	LIGHT SOCKET	3
7	124611	BRACKET	1



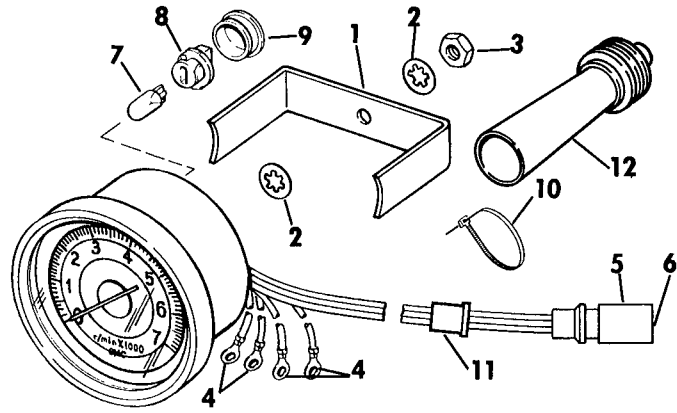
843053

* Not Shown

TACHOMETER KIT - PLUG IN

BQ128

Ref. No.	P/N	Name of Part	Qty.
*	174206	TACHOMETER KIT - 7000 RPM BLACK BEZEL	1
1	122558	BRACKET, Mounting . .	1
2	306992	LOCKWASHER	2
3	304753	NUT	1
4	204036	RING TERMINAL	4
5	511465	CONNECTOR	1
6	511469	PIN	3
7	122552	BULB	1
8	122553	SOCKET, Bulb .	1
9	122916	COVER, Bulb socket	1
10	320107	TIE STRAP	1
11	122915	BUSHING, Cable assy	1
12	124280	BOOT	1



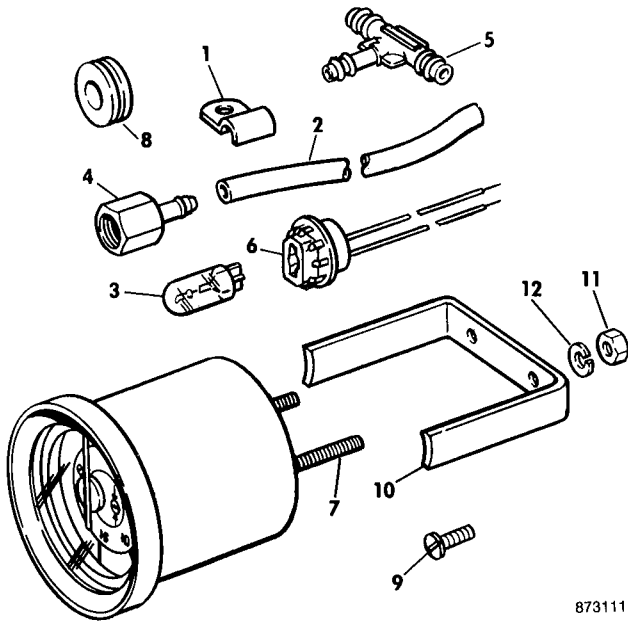
* Not Shown

873110

WATER PRESSURE GAUGE KIT

BQ129

Ref. No.	P/N	Name of Part	Qty.
*	174499	WATER PRESSURE GAUGE KIT, 0-30 PSI	1
*	174500	WATER PRESSURE GAUGE KIT, 0-200 KPA	1
1	120001	CLAMP, Hose	5
2	121829	HOSE	2
3	122552	BULB	1
4	123552	HOSE CONNECTOR	1
5	123553	TEE CONNECTOR	1
6	172952	LIGHT SOCKET	3
7	124670	STUD	2
8	307417	GROMMET	1
9	310115	SCREW	5
10	124611	BRACKET .	1
11	133079	NUT	2
12	309776	LOCKWASHER	2
*	123692	CONNECTOR, Water pressure line	1
*	123690	REDUCER, Water pressure line	1



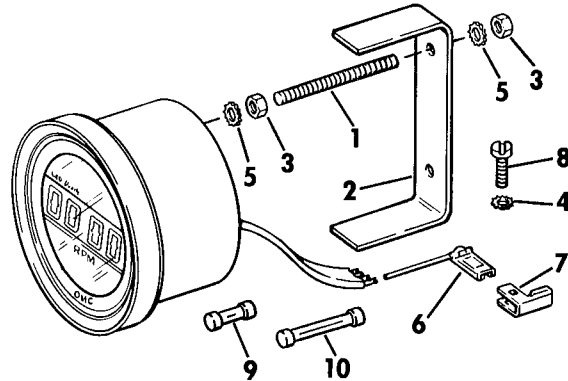
873111

* Not Shown

QUARTACH™ TACHOMETER - FLUSH MOUNT - DIGITAL

BQ130

Ref. No.	P/N	Name of Part	Qty.
*	173955	QUARTACH™ TACHOMETER	1
1	123641	STUD, Mounting .	2
2	123642	BRACKET, Mounting	1
3	133079	NUT, Mounting	4
4	303916	LOCKWASHER, Ground	1
5	306991	LOCKWASHER, Mounting	4
6	309437	FLAG TERMINAL	1
7	319984	ADAPTOR	1
8	510338	SCREW, Ground ...	1
9	123852	FUSE	1
10	174132	LAMP . . .	1

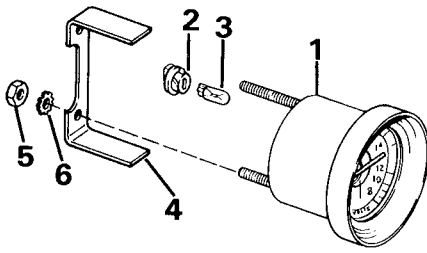


* Not Shown

834085

VOLTMETER KIT

BQ64



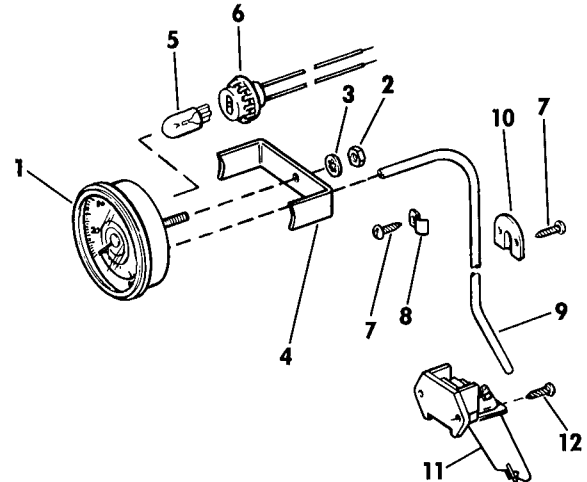
Ref. No.	P/N	Name of Part	Qty.
1	174097	VOLTMETER KIT, Black bezel	1
2	122553	SOCKET .	1
3	122552	BULB	1
4	909693	BRACKET	1
5	304753	NUT	2
6	306992	LOCKWASHER	2

74333

SPEEDOMETER KIT - FLUSH MOUNT

BQ131

Ref. No.	P/N	Name of Part	Qty.
*	174455	SPEEDOMETER KIT, 65 mph .	1
1	173783	SPEEDOMETER ASSY , 65 mph	1
2	304753	NUT	1
3	306992	LOCKWASHER	1
4	121710	BRACKET	1
5	122552	BULB	1
6	172952	LIGHT SOCKET	1
7	310115	SCREW	7
8	120001	HOSE CLAMP .	5
9	121829	HOSE, Speedometer	1
10	121828	GUARD, Thru transom	1
11	173623	PITOT TUBE ASSEMBLY	1
12	122822	SCREW, Pitot mounting	2-3

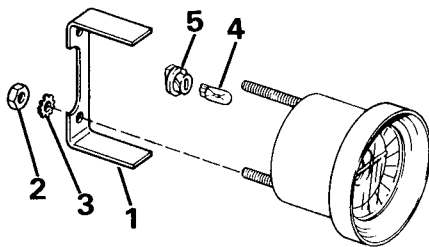


* Not Shown

824120

FUEL GAUGE KIT

BQ66



Ref. No.	P/N	Name of Part	Qty.
*	174093	FUEL GAUGE KIT	1
1	909693	BRACKET	1
2	304753	NUT	2
3	306992	LOCKWASHER	2
4	122552	BULB	1
5	122553	SOCKET	1

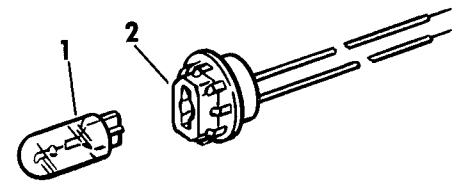
74367

* Not Shown

SPEEDOMETER LIGHT KIT

BQ67

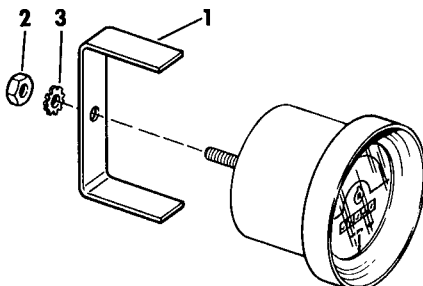
Ref. No.	P/N	Name of Part	Qty.
*	172951	SPEEDOMETER KIT	1
1	122552	BULB	1
2	172952	BULB SOCKET	1



* Not Shown

802130

TIME INDICATOR KIT



BQ68

Ref. No.	P/N	Name of Part	Qty.
*	173516	TIME INDICATOR KIT	1
1	123510	BRACKET	1
2	204046	NUT ...	1
3	303916	LOCKWASHER	1

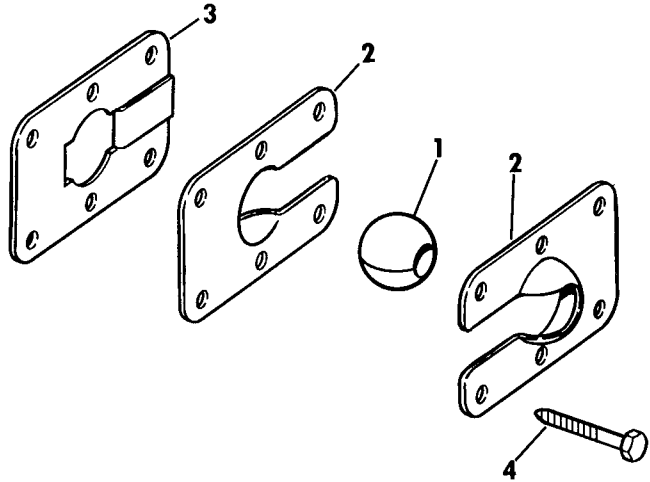
94043

* Not Shown

THRU TRANSOM KIT - 1.6 LITRE MECHANICAL STEERING

BQ102

Ref. No.	P/N	Name of Part	Qty.
1	911177	SEAL, Steering cable	1
2	911178	PLATE, Steering cable	2
3	911180	SEAL, Plate	1
4	910987	SCREW	6

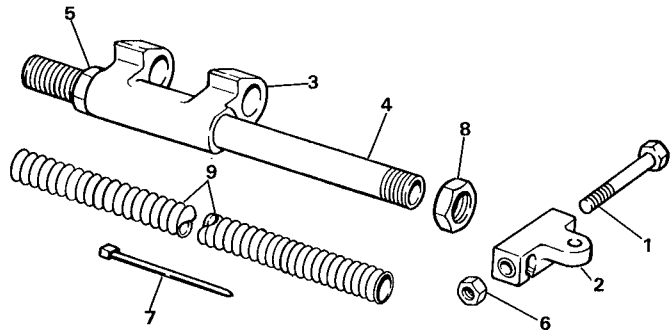


834016

DUAL CABLE STEERING KIT - PARALLEL ENTRY - 1.6 MECHANICAL STEERING

BQ132

Ref. No.	P/N	Name of Part	Qty.
1	123346	SCREW	1
2	123607	CONNECTOR	1
*	983417	TUBE AND BRACKET ASSY	1
3	911242	MOUNTING BRACKET	1
4	911175	TUBE, Steering	1
5	911183	NUT	1
6	315077	LOCKNUT	1
7	317893	TIE STRAP	2
8	983678	WIPER NUT	1
9	912784	JACKET, Steering cable	1



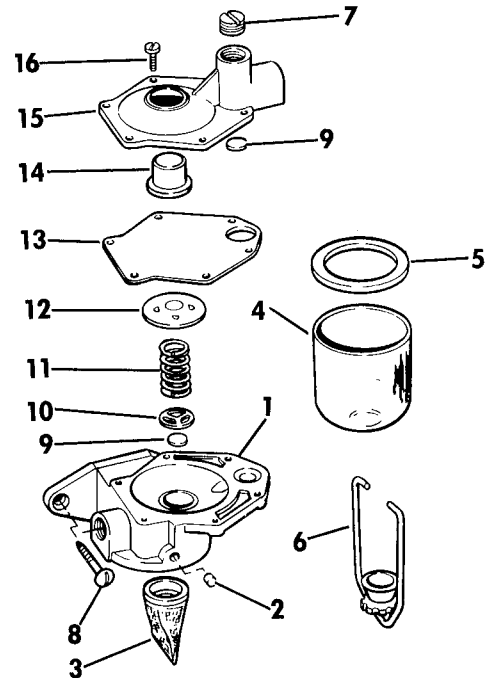
843044

* Not Shown

PRIMER PUMP KIT - 1.6 LITRE MODELS ONLY

BQ133

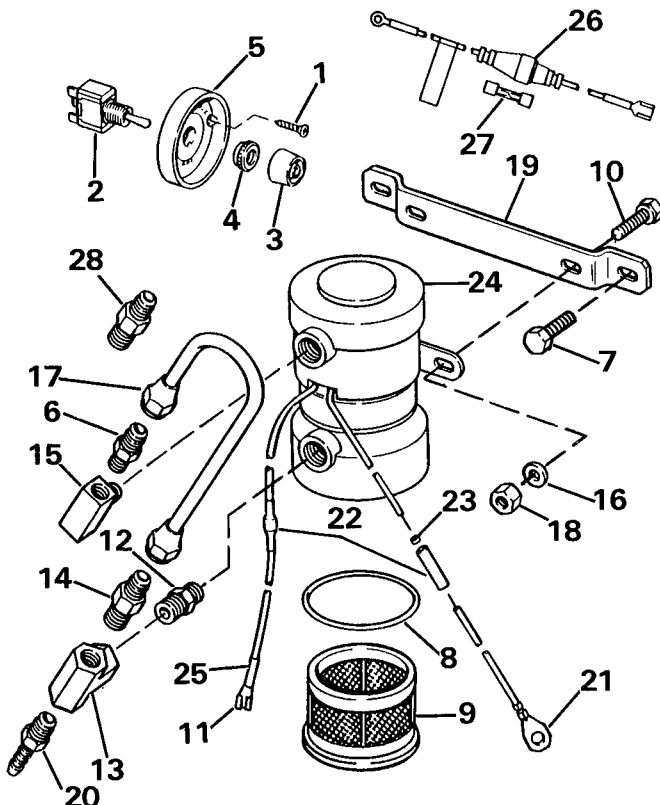
Ref. No.	P/N	Name of Part	Qty.
1	984867	PRIMER PUMP KIT ASSY	1
2	305243	PLUG, Core	1
3	305185	FILTER	1
4	330810	BOWL	1
5	333449	GASKET	1
6	389686	THUMB NUT & YOKE ASSY	1
7	324076	PLUG, Pipe	1
8	303675	SCREW, Wood	2
9	303614	VALVE, Disc	2
10	303420	RETAINER, Valve	1
11	301803	SPRING	1
12	305714	SUPPORT	1
13	333451	DIAPHRAGM	1
14	305713	BUTTON, Push	1
15	305717	HOUSING	1
16	306431	SCREW	6



834013

ELECTRIC PRIMER PUMP ASSY. - ALL MODELS

BQ134



Ref. No.	P/N	Name of Part	Qty.
*	398389	ELECTRIC PRIMER PUMP ASSY	1
1	122481	SCREW, Bezel	2
2	393125	SWITCH, Primer	1
3	310781	COVER, Switch	1
4	310782	NUT, Switch	1
5	330069	BEZEL, Primer switch	1
6	329586	FLANGE, Connection	1
7	124073	LAG SCREW	2
*	398390	FUEL PUMP ASSY	1
8	333417	O-RING	1
9	333416	FILTER, Pump	1
10	304027	SCREW	2
11	511828	TERMINAL	1
12	329587	FITTING, Reducer	1
13	329589	TEE, Large	1
14	394302	CHECK VALVE	1
15	329588	TEE, Small	1
16	328702	WASHER	2
17	394303	TUBE & NUT ASSY	1
18	328740	NUT	1
19	330548	BRACKET, Mounting	1
20	330552	FITTING, Inlet	1
21	204053	RING, Terminal	1
22	320597	TUBING	2
23	510952	SPLICE	2
24	398391	FUEL PUMP	1
25	510781	TUBE	1
26	582955	LEAD ASSY	1
27	512129	FUSE, 5 amp	1
28	330457	CONNECTOR	1

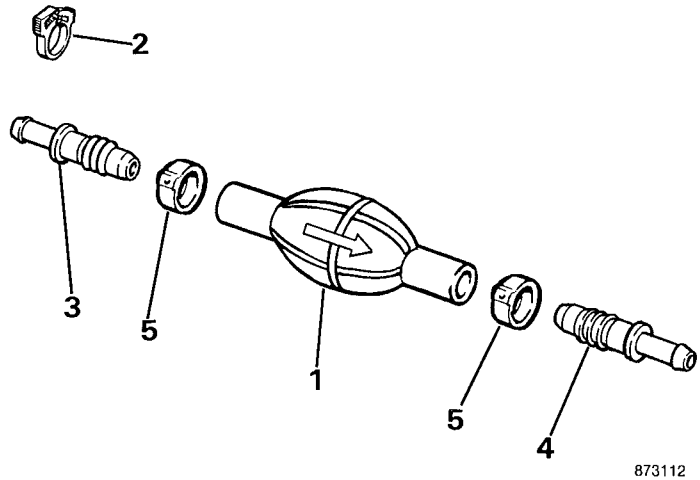
851233

* Not Shown

PRIMER BULB KIT

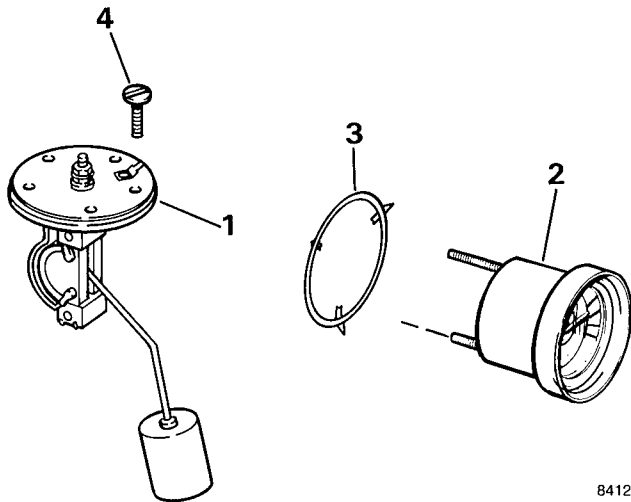
BQ135

Ref. No.	P/N	Name of Part	Qty.
1	174512	PRIMER BULB ASSY	1
2	329654	HOSE CLAMP	2
3	398455	NIPPLE & VALVE ASSY , Inlet	1
4	398456	NIPPLE & VALVE ASSY , Outlet	1
5	553166	HOSE CLAMP	2



873112

OIL LEVEL GAUGE & SENDING UNIT - ALL VRO® OIL TANKS



841224

BQ118

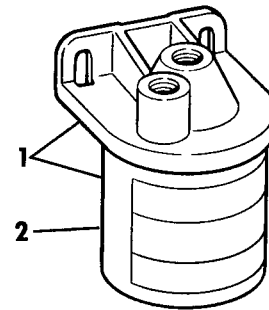
Ref. No.	P/N	Name of Part	Qty.
*	174198	OIL LEVEL GAUGE & SENDER	1
1	173948	SENDER UNIT	1
2	174110	GAUGE ASSEMBLY	1
3	123550	RING	1
4	124573	SCREW, Sender to tank	5

* Not Shown

BQ75

Ref. No.	P/N	Name of Part	Qty.
1	174176	OMC FUEL FILTER ASSY	1
2	174144	ELEMENT	1

FUEL FILTER



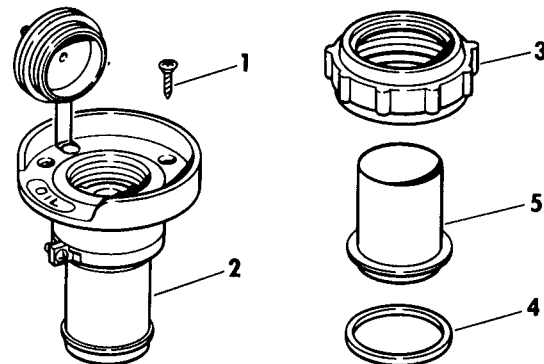
841027

VRO® REMOTE OIL FILL KIT - 1.8, 3.0, 3.5 & 7 GALLON TANK

BQ117

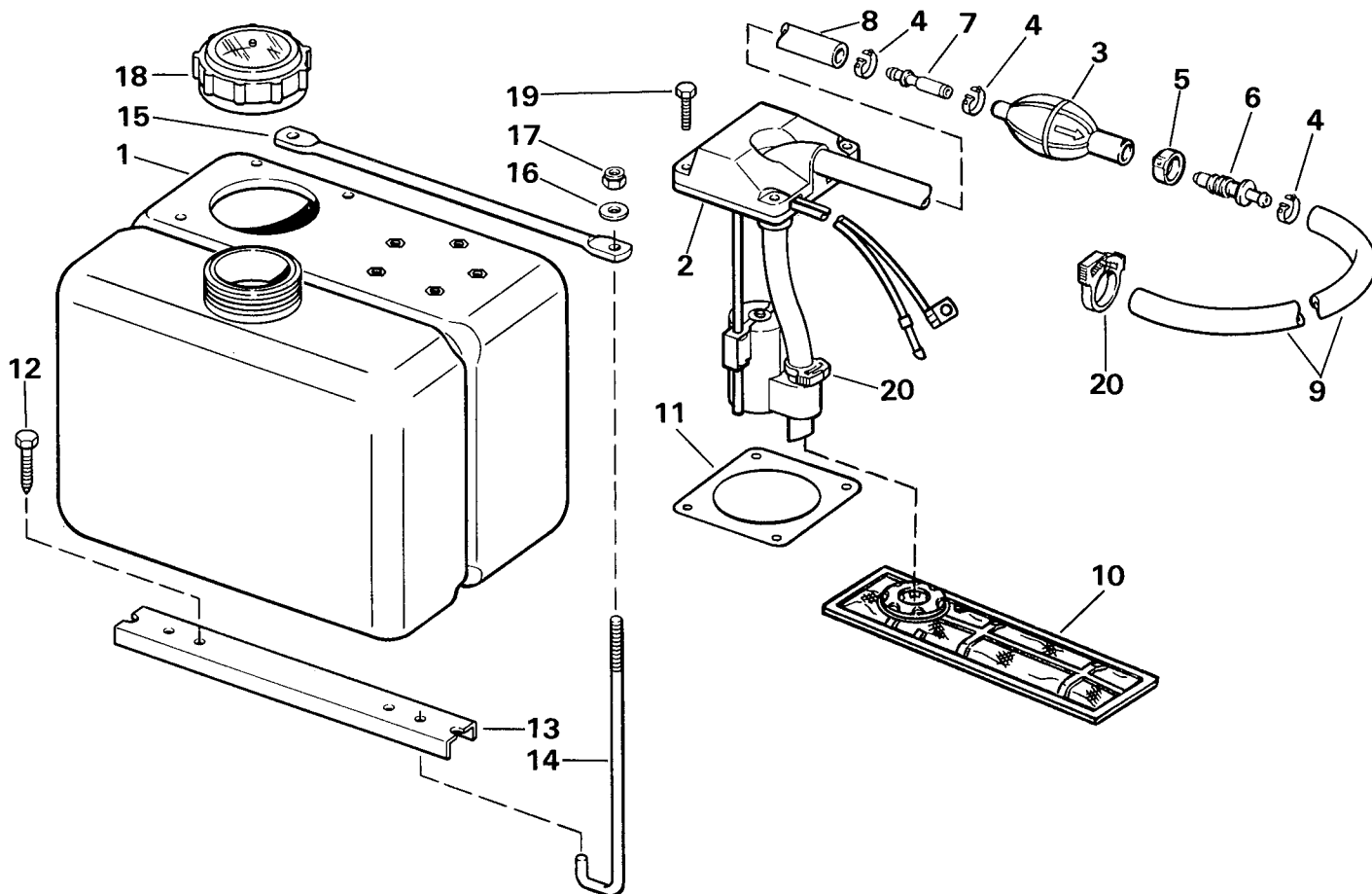
Ref. No.	P/N	Name of Part	Qty.
*	174133	REMOTE OIL FILL KIT	1
1	123678	SCREW, Mounting	3
2	174138	VENT AND DECK PLATE	1
3	124390	CAP, Oil fill	1
4	124388	GASKET	1
5	124389	TUBE	1
*	123956	FILL HOSE, 25 ft roll	AR
*	123955	VENT HOSE	AR

* Not Shown



832159

VRO® OIL TANK KIT - 1.8 & 3.0 GALLON



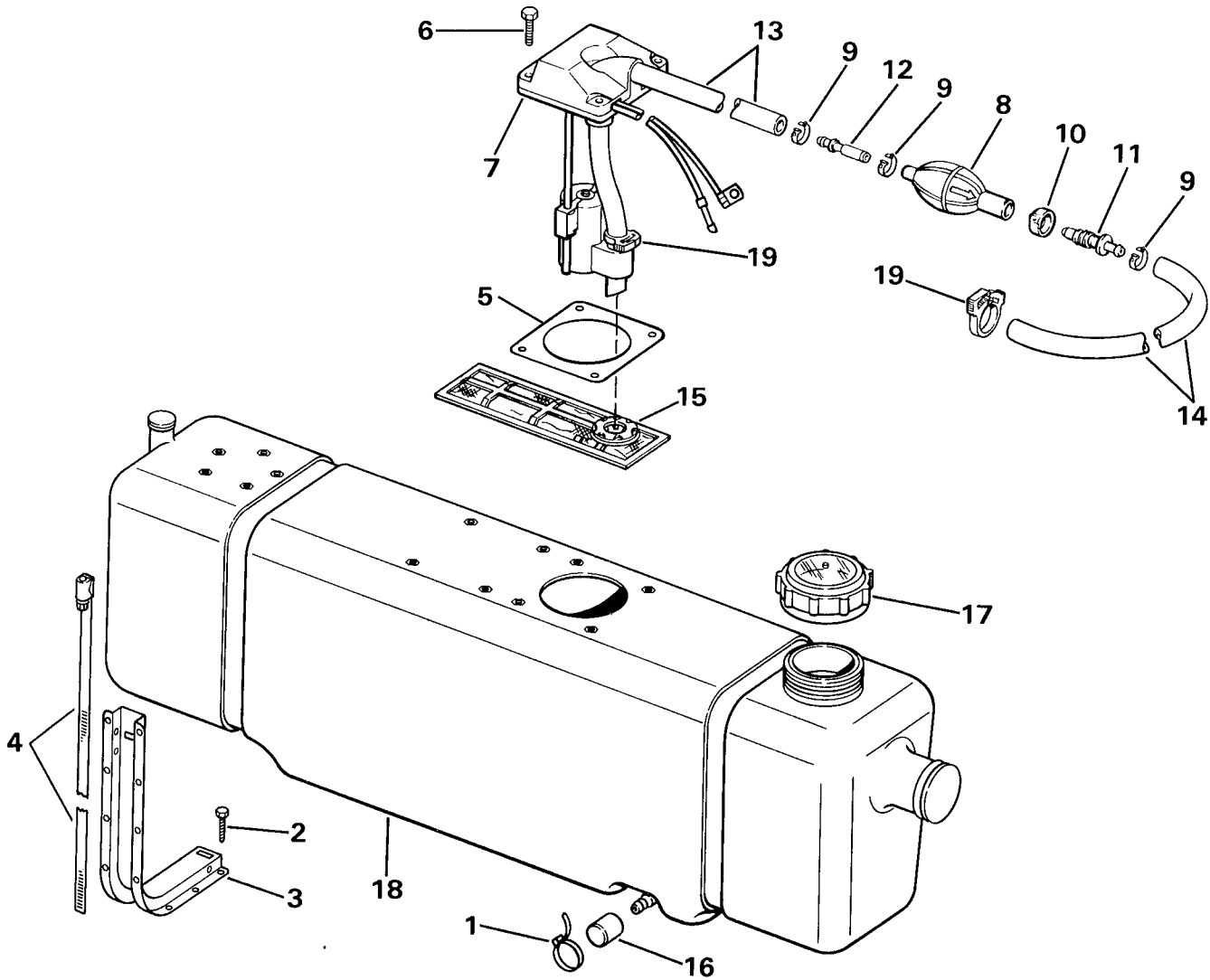
863028

BQ136

Ref. No.	P/N	Name of Part	Qty.	Ref. No.	P/N	Name of Part	Qty.
*	174167	OIL TANK KIT, (1.8 gallon) . . .	1	12	124073	MOUNTING SCREW	2
*	174249	OIL TANK KIT, (3.0 gallon)	1	13	124292	MOUNTING BRACKET (1.8 gallon)	1
1	174164	OIL TANK ASSY (1.8 gallon)	1	13	124693	MOUNTING BRACKET (3.0 gallon)	1
1	174248	OIL TANK ASSY (3.0 gallon) .	1	14	124291	HOOK BOLT (1.8 gallon)	2
2	174163	OIL PICKUP ASSY (1.8 gallon)	1	14	124691	HOOK BOLT (3.0 gallon)	2
2	174250	OIL PICKUP ASSY (3.0 gallon)	1	15	124290	CROSS BAR (1.8 gallon)	1
3	393641	BULB, Primer	1	15	124694	CROSS BAR (3.0 gallon)	1
4	303596	CLAMP, Hose, small	3	16	121497	WASHER	2
5	553166	CLAMP, Hose, large	1	17	121470	NUT	2
6	396462	VALVE, Outlet	1	18	173851	CAP	1
7	396461	VALVE, Inlet	1	19	124485	SCREW, Pickup to tank	4
8	124472	HOSE, Short 12" long	1	20	322654	CLAMP, Hose	2
9	124471	HOSE, Long 120" long	1				
10	174377	FILTER, Pickup	1				
11	123906	GASKET	1				

* Not Shown

VRO® OIL TANK KIT - 3.5 & 7 GALLON



863029

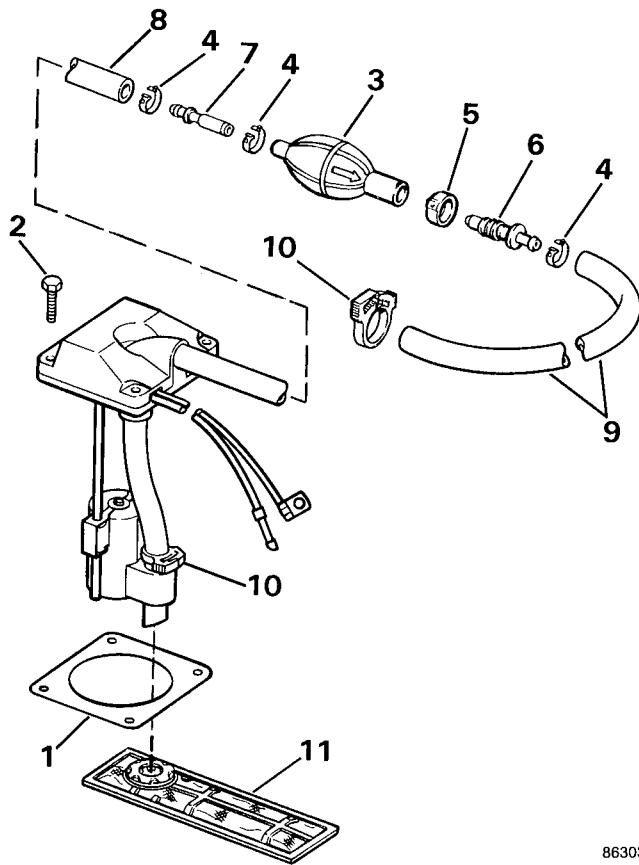
BQ137

Ref. No.	P/N	Name of Part	Qty.	Ref. No.	P/N	Name of Part	Qty.
*	174168	3 5 GALLON OIL TANK KIT	1	10	553166	CLAMP, Hose, large	1
*	174169	7 GALLON OIL TANK KIT	1	11	383720	VALVE, Outlet	1
1	124249	TIE STRAP, Drain	1	12	383719	VALVE, Inlet	1
2	124073	LAG SCREW	8	13	†	HOSE, Short, 12" long	1
3	124460	BRACKET	2	14	†	HOSE, Long, 120" long	1
4	174173	CLAMP ASSY, Tank mtg	2	15	174377	FILTER, Pickup	1
5	123906	GASKET, Pickup	1	16	124072	CAP, Drain	1
6	124485	SCREW, Pickup to tank	4	17	173851	CAP, Oil tank	1
7	174170	PICKUP ASSEMBLY	1	18	173857	OIL TANK, 3 5 gallon	1
8	174157	PRIMER BULB	1	18	173878	OIL TANK, 7 gallon	1
9	303596	CLAMP, Hose, small	3	19	322654	CLAMP, Hose	2

* Not Shown

† Cut to Length from 319719

VRO® DUAL OIL TANK PICKUP KIT



BQ138

Ref. No.	P/N	Name of Part	Qty.
*	174170	DUAL OIL TANK PUMP KIT ①	1
*	174245	DUAL OIL TANK PUMP KIT ②	1
1	123906	GASKET, Pickup	1
2	124485	SCREW, Pickup to tank	4
3	174157	BULB, Primer	1
4	303596	CLAMP, Hose, small	4
5	553166	CLAMP, Hose, large	1
6	396462	VALVE, Outlet	1
7	396461	VALVE, Inlet	1
8	†	HOSE, Short, 12" long	1
9	†	HOSE, Long, 120" long	1
10	322654	HOSE, Clamp	2
11	174377	FILTER	1

* Not Shown

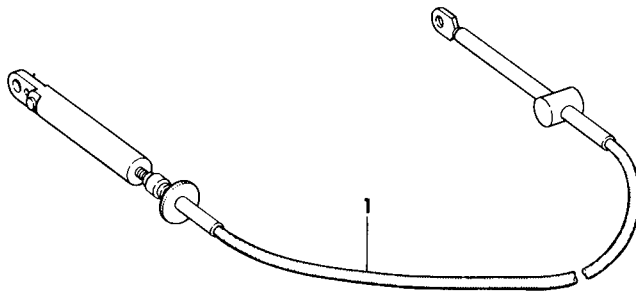
† Cut to Length from 319719

① 3.5, & 7 Gallon Tanks Only

② 3.0 Gallon Tank Only

863030

OMC SNAP-IN CABLES

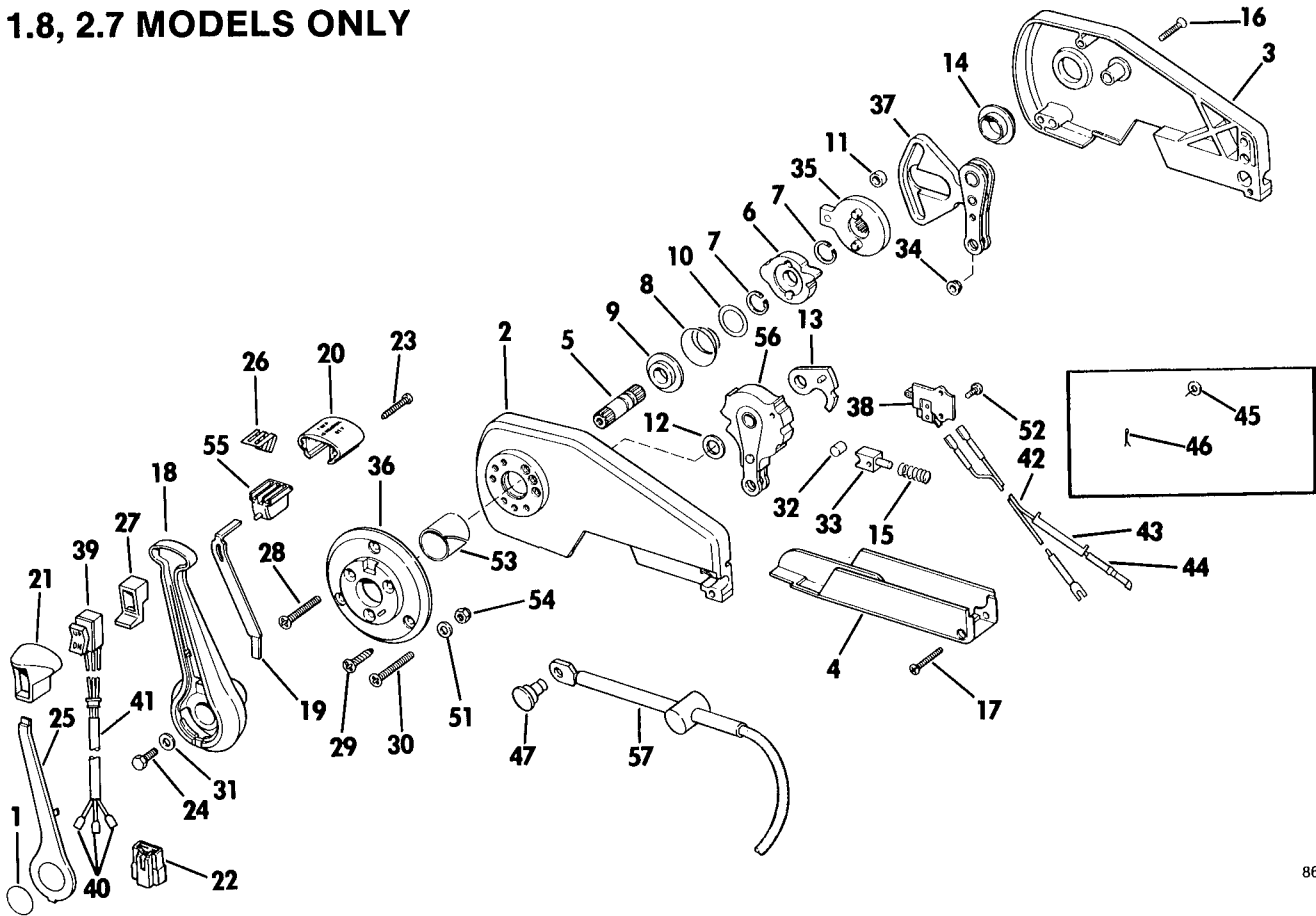


94050

BQ88

Ref. No.	P/N	Name of Part	Qty.	Ref. No.	P/N	Name of Part	Qty.
1	173110	CABLE ASSEMBLY, 10 ft	1	1	173126	CABLE ASSEMBLY, 26 ft	1
1	173111	CABLE ASSEMBLY, 11 ft	1	1	173128	CABLE ASSEMBLY, 28 ft	1
1	173112	CABLE ASSEMBLY, 12 ft	1	1	173130	CABLE ASSEMBLY, 30 ft	1
1	173113	CABLE ASSEMBLY, 13 ft	1	1	173132	CABLE ASSEMBLY, 32 ft	1
1	173114	CABLE ASSEMBLY, 14 ft	1	1	173134	CABLE ASSEMBLY, 34 ft	1
1	173115	CABLE ASSEMBLY, 15 ft	1	1	173136	CABLE ASSEMBLY, 36 ft	1
1	173116	CABLE ASSEMBLY, 16 ft	1	1	173138	CABLE ASSEMBLY, 38 ft	1
1	173117	CABLE ASSEMBLY, 17 ft	1	1	173140	CABLE ASSEMBLY, 40 ft	1
1	173118	CABLE ASSEMBLY, 18 ft	1	1	173142	CABLE ASSEMBLY, 42 ft	1
1	173119	CABLE ASSEMBLY, 19 ft	1	1	173144	CABLE ASSEMBLY, 44 ft	1
1	173120	CABLE ASSEMBLY, 20 ft	1	1	173146	CABLE ASSEMBLY, 46 ft	1
1	173122	CABLE ASSEMBLY, 22 ft	1	1	173148	CABLE ASSEMBLY, 48 ft	1
1	173124	CABLE ASSEMBLY, 24 ft	1	1	173150	CABLE ASSEMBLY, 50 ft	1

REMOTE CONTROL ASSEMBLY - CONCEALED SIDE MOUNT - 1.6, 1.8, 2.7 MODELS ONLY



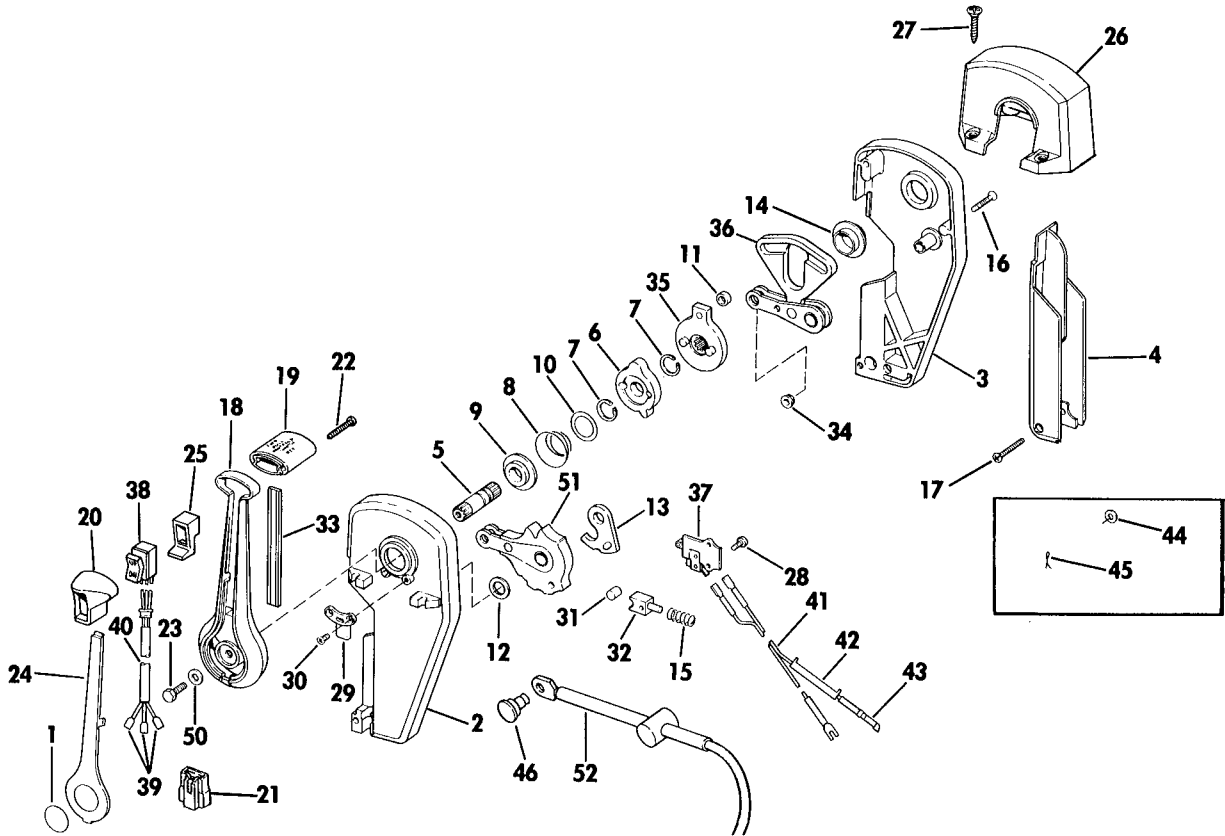
863032

BQ139

Ref. No.	P/N	Name of Part	Qty.	Ref. No.	P/N	Name of Part	Qty.
*	174280	REMOTE CONTROL ASSY - Cncl side mt w/trim switch	1	30	123317	SCREW, Flange to boat	3
1	123315	APPLIQUE	1	31	901893	WASHER, Handle to shaft	2
2	123244	HOUSING, Control	1	32	123341	ROLLER, Detent	1
3	123245	HOUSING, Control	1	33	123342	SHOE, Detent roller	1
4	173598	TRAY, Control housing	1	34	123350	BUSHING	2
5	123261	SHAFT, Remote control	1	35	173571	THROTTLE HUB ASSEMBLY	1
6	123496	DRIVE GEAR, Shift ...	1	36	173477	MOUNTING FLANGE & PIN	1
7	123264	RETAINING RING, Drive gear	2	37	173478	THROTTLE CAM & ARMS ASSY	1
8	123265	SPRING, Drive gear return	1	38	173480	NEUTRAL START SWITCH ASSY	1
9	123266	BUSHING, Shaft to housing	1	39	174285	TRIM SWITCH AND LEAD ASSY	1
10	123267	WASHER	1	40	825886	TERMINAL	3
11	123268	ROLLER, Throttle cam	1	41	510628	SLEEVE	1
12	123269	WASHER, Shift arm	1	42	173572	LEAD ASSY, Neutral start switch	1
13	123270	CAM, Neutral switch	1	43	303806	TUBING	1
14	123271	BUSHING, Throttle hub	1	44	308808	TERMINAL	1
15	909859	SPRING, Detent	1	*	982048	CABLE MOUNT HDW KIT	1
16	123273	SCREW, Control housing	3	45	303887	WASHER	2
17	123274	SCREW, Tray to housing	1	46	305650	COTTER PIN	2
18	123279	HANDLE, Side mount	1	47	323776	CLEVIS PIN, Snap-in cable	2
19	123281	PLATE, Neutral lock	1	51	302407	WASHER, Mounting screw	3
20	123531	KNOB, Lockout button	1	52	308545	SCREW, To housing	1
21	123535	KNOB, Trim switch	1	53	123495	BUSHING	1
22	313113	TERMINAL HOUSING	1	*	308808	TERMINAL	1
23	123533	SCREW, Knob to handle	2	54	900402	LOCKNUT, Mounting screw	3
24	123290	SCREW, Handle to shaft	1	55	173499	LOCKOUT BUTTON ASSEMBLY	1
25	123293	COVER, Handle	1	56	173542	SHIFT GEAR & ARMS ASSY	1
26	123443	SPRING, Neutral lock	1	57	†	OMC SNAP-IN OR OMC LONG-LIFE THROTTLE AND SHIFT CABLES	AR
27	123536	GROMMET, Trim switch	1				
28	123312	SCREW, Mounting flange	3				
29	123316	SCREW, Flange to boat	3				

* Not Shown † See Page 15

REMOTE CONTROL ASSEMBLY - BINNACLE MOUNT - 1.6, 1.8, 2.7 MODELS ONLY



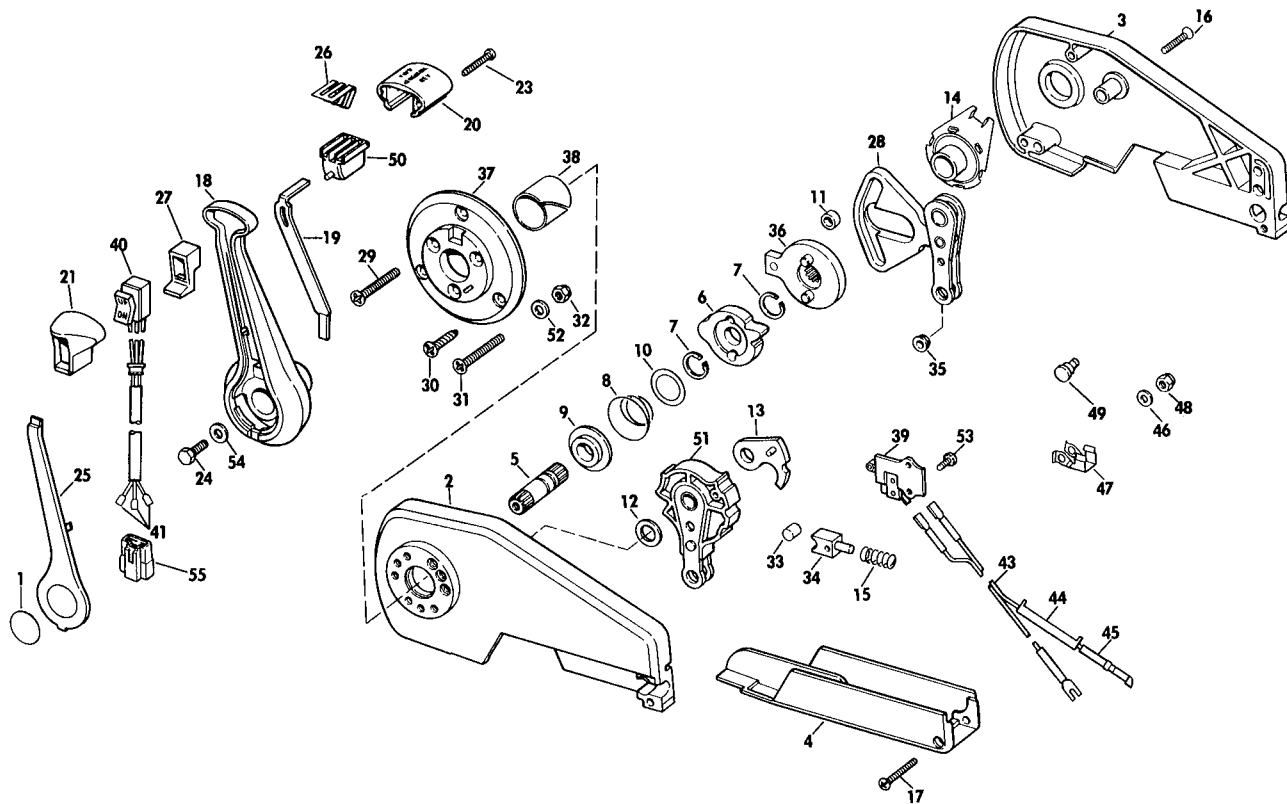
863033

BQ140

Ref. No.	P/N	Name of Part	Qty.	Ref. No.	P/N	Name of Part	Qty.
*	174571	REMOTE CONTROL ASSY - BNCL MT, Sgl lever w/trim	1	27	123322	SCREW, Control mounting	4
1	123315	APPLIQUE	1	28	308545	SCREW, Switch to housing	1
2	123246	HOUSING, Control	1	29	123324	RETAINER, Trim leads	1
3	123247	HOUSING, Control	1	30	123340	SCREW, Retainer	1
4	173598	TRAY	1	31	123341	ROLLER, Detent	1
5	123261	SHAFT, Remote control	1	32	123342	SHOE, Detent roller	1
6	123496	DRIVE GEAR, Shift	1	33	123343	TRIM INSERT	1
7	123264	RETAINING RING, Drive gear	2	34	123350	BUSHING	2
8	123265	SPRING, Drive gear	1	35	173571	THROTTLE HUB ASSEMBLY	1
9	123266	BUSHING, Shaft to housing	1	36	173478	THROTTLE CAM & ARM ASSY	1
10	123267	WASHER, Return spring	1	37	173480	NEUTRAL START SWITCH ASSY	1
11	123268	ROLLER, Throttle cam	1	38	174285	TRIM SWITCH & LEAD ASSY	1
12	123269	WASHER, Shift arm	1	39	825886	TERMINAL	3
13	123270	CAM, Neutral switch	1	40	510628	SLEEVE	1
14	123271	BUSHING, Throttle hub	1	41	173572	LEAD ASSY, Neutral start switch	1
15	909859	SPRING, Detent	1	42	303806	TUBING	1
16	123273	SCREW, Control housing	3	43	308808	TERMINAL	1
17	123274	SCREW, Tray to housing	1	*	982048	CABLE MOUNT HDW KIT	1
18	123278	HANDLE	1	44	303887	WASHER	2
19	123539	KNOB, Binnacle	1	45	305650	COTTER PIN	2
20	123535	KNOB, Trim switch	1	46	323776	CLEVIS PIN, Snap in cable	2
21	313113	TERMINAL HOUSING	1	50	901893	WASHER, Screw, handle	1
22	123533	SCREW, Knob to handle	2	51	173542	SHIFT GEAR & ARMS ASSY	1
23	123290	SCREW, Handle to shaft	1	*	308808	TERMINAL	1
24	123610	COVER, Handle	1	52	†	OMC SNAP-IN OR OMC LONG-LIFE THROTTLE AND SHIFT CABLES	AR
25	123536	GROMMET, Trim switch	1				
26	125150	COVER	1				

* Not Shown † See Page 15

REMOTE CONTROL ASSEMBLY - CONCEALED SIDE MOUNT - 3.6 MODELS ONLY



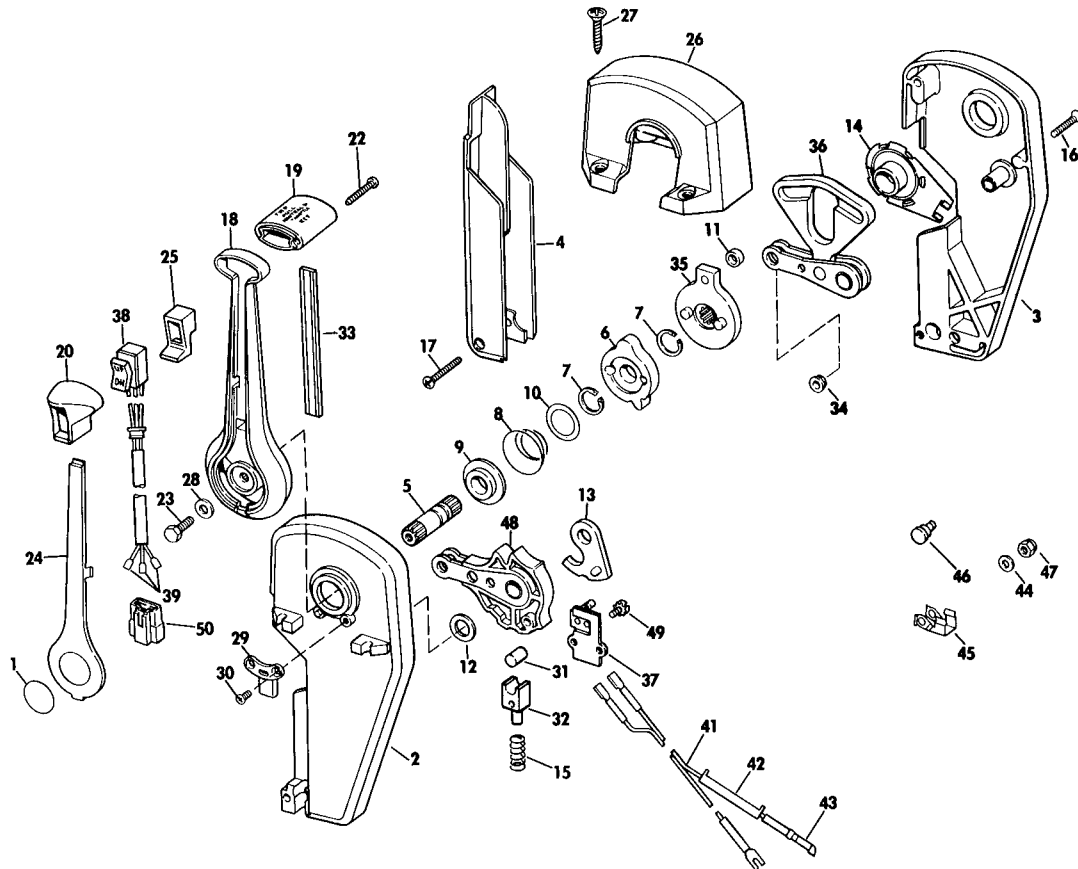
873113

BQ141

Ref. No.	P/N	Name of Part	Qty.	Ref. No.	P/N	Name of Part	Qty.
*	173644	REMOTE CONTROL ASSY , Concealed side mount with trim sw	1	31	123317	SCREW, Flange to boat	3
1	123315	APPLIQUE	1	32	900402	LOCKNUT, Mounting screw	3
2	123244	HOUSING, Control	1	33	123341	ROLLER, Detent	1
3	123245	HOUSING, Control	1	34	123342	SHOE, Detent roller	1
4	173598	TRAY, Control housing	1	35	123350	BUSHING	2
5	123261	SHAFT, Remote control	1	36	173571	THROTTLE HUB ASSY	1
6	123496	DRIVE GEAR, Shift	1	37	173477	MOUNTING FLANGE & PIN	1
7	123264	RETAINING RING, Drive gear	2	38	123495	BUSHING, Handle	1
8	123265	SPRING, Drive gear return	1	39	173480	NEUTRAL START SWITCH ASSY	1
9	123266	BUSHING, Shaft to housing	1	40	174285	TRIM SWITCH AND LEAD ASSY	1
10	123267	WASHER	1	41	825886	TERMINAL	3
11	123268	ROLLER, Throttle cam	1	43	173572	LEAD ASSY , Neutral start switch	1
12	123269	WASHER, Shift arm	1	44	303806	TUBING	1
13	123270	CAM, Neutral switch	1	45	308808	TERMINAL	1
14	173587	FRICTION CONTROL	1	*	173581	CABLE MOUNTING HARDWARE KIT	1
15	909859	SPRING, Detent	1	46	328737	WASHER	2
16	123273	SCREW, Control housing	3	47	123140	RETAINER CLIP	1
17	123274	SCREW, Tray to housing	1	48	328064	NUT	2
18	123279	HANDLE, Side mount	1	49	323776	CLEVIS PIN	2
19	123281	PLATE, Neutral lock	1	50	173499	LOCKOUT BUTTON ASSY	1
20	123531	KNOB, Lockout button	1	51	173542	SHIFT GEAR & ARMS ASSY	1
21	123535	KNOB, Trim switch	1	52	302407	WASHER, Mounting screws	3
23	123533	SCREW, Knob to handle	2	53	308545	SCREW, To housing	1
24	123290	SCREW, Handle to shaft	1	*	308808	TERMINAL	1
25	123293	COVER, Handle	1	54	901893	WASHER, Handle to shaft	1
26	123443	SPRING, Neutral lock	3	55	313113	HOUSING, Terminal	1
27	123536	GROMMET, Trim switch	1	*	173600	LONG LIFE CABLE ADAPTER KIT	1
28	173478	THROTTLE CAM & ARMS ASSY	1				
29	123312	SCREW, Mounting flange	3				
30	123316	SCREW, Flange to boat	3				

* Not Shown

REMOTE CONTROL ASSEMBLY - BINNACLE MOUNT - 3.6 MODELS ONLY



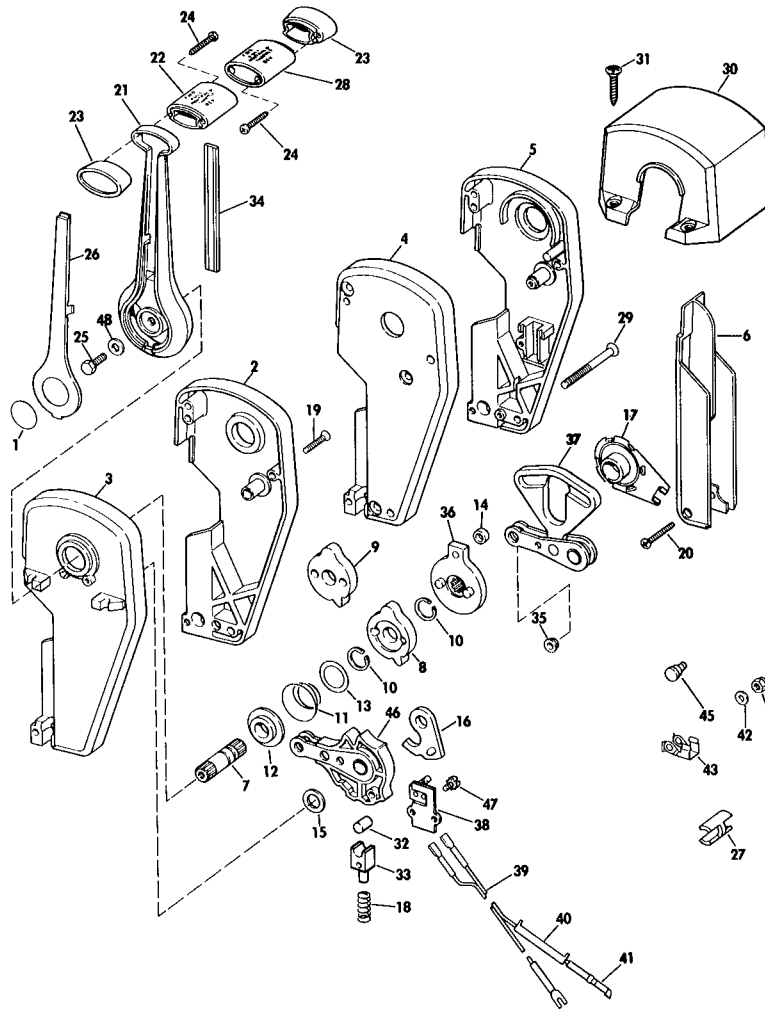
873114

BQ142

Ref. No.	P/N	Name of Part	Qty.	Ref. No.	P/N	Name of Part	Qty.
*	174561	REMOTE CONTROL ASSY - BINNACLE MOUNT, Sgl lever with trim	1	29	123324	RETAINER, Trim leads	1
1	123315	APPLIQUE	1	30	123340	SCREW, Retainer	1
2	123246	HOUSING, Control	1	31	123341	ROLLER, Detent	1
3	123247	HOUSING, Control	1	32	123342	SHOE, Detent roller	1
4	173598	TRAY	1	33	123343	TRIM INSERT	1
5	123261	SHAFT, Remote control	1	34	123350	BUSHING	2
6	123496	DRIVE GEAR, Shift	1	35	173571	THROTTLE HUB ASSY	1
7	123264	RETAINING RING, Drive gear	2	36	173478	THROTTLE CAM & ARM ASSY	1
8	123265	SPRING, Drive gear	1	37	173480	NEUTRAL START SWITCH ASSY	1
9	123266	BUSHING, Shaft to housing	1	38	174285	TRIM SWITCH & LEAD ASSY	1
10	123267	WASHER, Return spring	1	39	825886	TERMINAL	3
11	123268	ROLLER, Throttle cam	1	41	173572	LEAD ASSY, Neutral start switch	1
12	123269	WASHER, Shift arm	1	42	303806	TUBING	1
13	123270	CAM, Neutral switch	1	43	308808	TERMINAL	1
14	173587	FRICTION CONTROL ASSY	1	*	173581	CABLE MOUNT HARDWARE KIT	1
15	909859	SPRING, Detent	1	44	328737	WASHER	2
16	123273	SCREW, Control housing	3	45	123140	RETAINER CLIP	1
17	123274	SCREW, Tray to housing	1	46	323776	CLEVIS PIN	2
18	123278	HANDLE	1	47	328064	NUT	2
19	123539	KNOB, Binnacle	1	48	173542	SHIFT GEAR & ARMS ASSY	1
20	123535	KNOB, Trim switch	1	49	308545	SCREW, Switch to housing	1
22	123533	SCREW, Knob to handle	2	50	313113	TERMINAL	1
23	123290	SCREW, Handle to shaft	1	*	308808	TERMINAL	1
24	123610	COVER, Handle	1	*	173600	LONG LIFE CABLE ADAPTER KIT	1
25	123536	GROMMET, Trim switch	1				
26	125150	COVER	1				
27	123322	SCREW, Control mounting	4				
28	901893	WASHER, Screw, handle	1				

* Not Shown

REMOTE CONTROL ASSEMBLY - BINNACLE MOUNT - DUAL LEVER - 3.6 MODELS ONLY



861316

BQ143

Ref. No.	P/N	Name of Part	Qty.	Ref. No.	P/N	Name of Part	Qty.
*	174585	REMOTE CONTROL ASSY, Binnacle mount, dual lever	1	26	123292	COVER, Handle	2
1	123315	APPLIQUE	1	27	123439	SPACER, Control cables	1
2	123245	HOUSING	1	28	125198	KNOB, Binnacle, port	1
3	123246	HOUSING	1	29	123310	SCREW, Binnacle assy	3
4	123248	HOUSING	1	30	125151	COVER, Mechanism	1
5	123249	HOUSING	1	31	123322	SCREW, Control mounting	4
6	173598	TRAY, Control housing	2	32	123341	ROLLER, Detent	2
7	123261	SHAFT, Remote control	2	33	123342	SHOE, Detent roller	2
8	123496	DRIVE GEAR, Starboard	1	34	123343	TRIM, Insert	2
9	123497	DRIVE GEAR, Port	1	35	123350	BUSHING	4
10	123264	RETAINING RING	4	36	173571	THROTTLE HUB ASSY	2
11	123265	SPRING, Drive gear return	2	37	173478	THROTTLE CAM & ARMS ASSY	2
12	123266	BUSHING, Shaft to housing	2	38	173480	NEUTRAL START SWITCH	2
13	123267	WASHER, Return spring	2	39	173572	LEAD ASSY.	2
14	123268	ROLLER, Throttle cam	2	40	303806	TUBING	1
15	123269	WASHER, Shift arm	2	41	308808	TERMINAL	1
16	123270	CAM, Neutral switch	2	*	173581	CABLE MTG HARDWARE KIT	2
17	173587	FRICTION CONTROL	2	42	328737	WASHER	2
18	909859	SPRING, Detent	2	43	123140	RETAINER CLIP	1
19	123273	SCREW, Control housing	6	44	328064	NUT	2
20	123274	SCREW, Tray to housing	2	45	323776	CLEVIS PIN	2
21	123278	HANDLE, Side mount	2	46	173542	SHIFT GEAR & ARM ASSY	2
22	125198	KNOB, Binnacle, starboard	1	47	308545	SCREW	2
23	125199	END CAP, Knob	2	*	308808	TERMINAL	2
24	123533	SCREW, Knob to handle	4	48	901893	WASHER	2
25	123290	SCREW, Handle to shaft	2	*	173600	LONG LIFE ADAPTER KIT	2

* Not Shown

United States of America

OMC Parts & Accessories
P.O. Box 718
3225 N. Prairie Avenue
Beloit, Wisconsin 53511
608/364-3333

Canada

Outboard Marine Corporation of Canada, Ltd.
910 Monaghan Road
Peterborough, Ontario, Canada
K9J7B6 (postal code)
705/876-2699

Caribbean, Mexico, Central America, South America

Outboard Marine International, Inc.
75 N.E. 179th Street
Miami, Florida 33162 U.S.A
305/652-2311

Europe, Middle East, Africa

Outboard Marine Belgium, N.V
Pathoekeweg 120
8000 Brugge, Belgium
050/31 51.87

Australia, New Zealand, Southwest Pacific

Outboard Marine Australia Pty Ltd.
84 Canterbury Road
Bankstown, New South Wales
Australia, Sydney 70-0701

Bangladesh, Brunei, Burma, Guam, Hong Kong, India, Indonesia, Japan, Korea, Macau, Malaysia, Maldives, Micronesia, Pakistan, People's Republic of China, Philippines, Singapore, Sri Lanka, Taiwan, Thailand

Outboard Marine Asia, Ltd.
T.Y.T.L. 54
Tsing Yi Island, New Territories
Hong Kong

OMC *Sea Drive*[®]
MARKETED BY

OMC
DRIVE SYSTEMS

A PRODUCT GROUP OF OUTBOARD MARINE CORPORATION

3145 CENTRAL AVENUE ■ WAUKEGAN, ILLINOIS ■ 60085