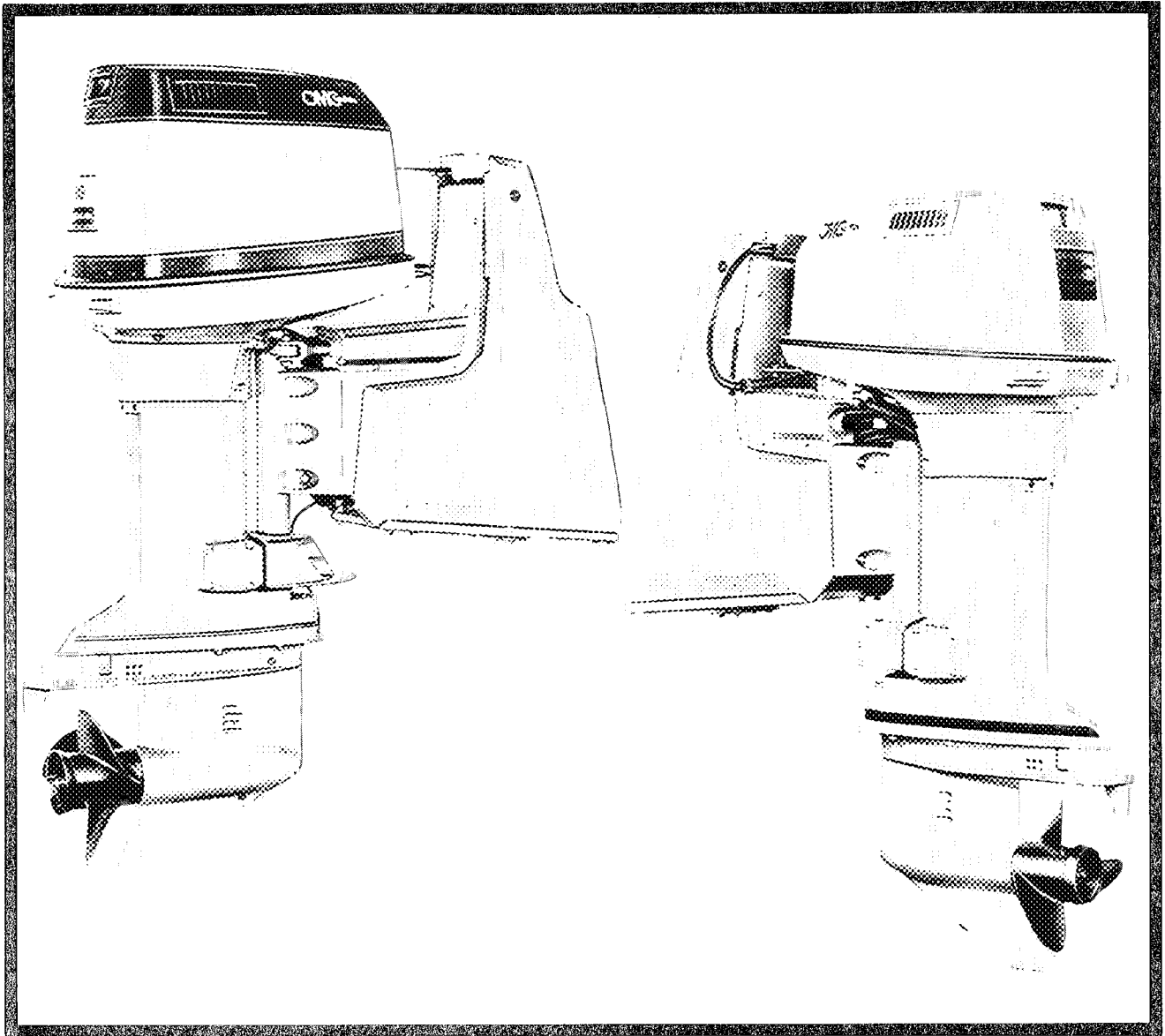


OMC *Sea Drive*[®]

PARTS CATALOG



Optional Equipment

16AMC XKWB

16AHC XKWB

26AHC XKWB



SAFETY WARNING

Note

WHEN REPLACEMENT PARTS ARE REQUIRED, USE GENUINE OMC PARTS OR PARTS WITH EQUIVALENT CHARACTERISTICS INCLUDING TYPE, STRENGTH, AND MATERIAL. FAILURE TO DO SO MAY RESULT IN PRODUCT MALFUNCTION AND POSSIBLE INJURY TO THE OPERATOR AND/OR PASSENGERS.

OUTBOARD MARINE CORPORATION, MANUFACTURER OF OMC SEA DRIVE[®] MARINE POWER SYSTEM, RESERVES THE RIGHT TO MAKE CHANGES AT ANY TIME, WITHOUT NOTICE, IN SPECIFICATIONS AND MODELS AND ALSO TO DISCONTINUE MODELS. THE RIGHT IS ALSO RESERVED TO CHANGE ANY SPECIFICATIONS OR PARTS AT ANY TIME WITHOUT INCURRING ANY OBLIGATION TO EQUIP SAME ON MODELS MANUFACTURED PRIOR TO DATE OF SUCH CHANGE

WHILE THE INFORMATION CONTAINED IN THIS PARTS CATALOG IS BASED ON THE LATEST PRODUCT INFORMATION AVAILABLE AT THE TIME OF PUBLICATION, THE CONTINUING ACCURACY OF THIS PARTS CATALOG CANNOT BE GUARANTEED.

ALL ILLUSTRATIONS USED IN THIS PARTS CATALOG MAY NOT DEPICT ACTUAL MODELS OR EQUIPMENT AND ARE INTENDED AS REPRESENTATIVE VIEWS FOR REFERENCE ONLY.

Note

THIS PARTS CATALOG SHOULD NOT BE USED IN LIEU OF A SERVICE MANUAL. ORDER YOUR SERVICE MANUAL OR OWNER'S MANUAL FROM YOUR NEAREST MARKETING DIVISION, SEE REAR COVER.

SUPPLY MODEL AND SERIAL NUMBER OF ENGINE FROM NAMEPLATE ATTACHED TO THE LOWER ENGINE COVER WHEN REQUESTING A SERVICE MANUAL OR OWNER'S MANUAL.

TABLE OF CONTENTS

	PAGE
SHIFT ASSIST KIT ..	4
WIRING KIT - SINGLE LEVER CONTROLS WITHOUT EMERGENCY	
IGNITION CUTOFF SWITCH	4
WIRING KIT - SINGLE LEVER CONTROLS WITH EMERGENCY	
IGNITION CUTOFF SWITCH	5
SYNCHRONIZATION VALVE - DUAL ENGINE ..	6
SELECTRIM®/TILT SWITCH	7
SELECTRIM®/GAUGE & CABLE	7
CABLE ASSEMBLY - BATTERY TO JUNCTION BOX	7
EXTENSION HARNESS - INSTRUMENTS	7
SECOND STATION CABLE KIT - SELECTRIM/TILT ..	8
SECOND STATION CABLE KIT - INSTRUMENTS	8
EXTENSION CABLE - TRIM	8
QUARTACH™ TACHOMETER - FLUSH MOUNT -	
DIGITAL - PLUG IN ..	8
WATER TEMPERATURE GAUGE KIT ..	8
TACHOMETER KIT - PLUG IN	9
WATER PRESSURE GAUGE KIT	9
VOLTMETER KIT	10
QUARTACH™ TACHOMETER - FLUSH MOUNT - DIGITAL	9
FUEL GAUGE KIT	10
SPEEDOMETER LIGHT KIT	10
SPEEDOMETER KIT - FLUSH MOUNT	10
TIME INDICATOR KIT	10
THRU TRANSOM KIT	11
STEERING CONNECTOR KIT	11
DUAL CABLE STEERING KIT ..	11
ELECTRIC PRIMER PUMP ASSEMBLY	12
PRIMER PUMP KIT	12
PRIMER BULB KIT ..	13
OIL LEVEL GAUGE & SENDING UNIT ..	13
FUEL FILTER	13
VRO® REMOTE OIL FILL KIT ..	13
VRO® OIL TANK KIT - 1 8 & 3 0 GALLON	14
VRO® OIL TANK KIT - 3 5 & 7 GALLON ..	15
VRO® DUAL OIL TANK PICKUP KIT	16
OMC SNAP-IN™ CABLES ..	16
REMOTE CONTROLS ..	17 thru 19

E S NO	COLOR	SPRAY	QT CAN
318	WHITE	172756	N/A
1655	PRIMER	171757	376015
1696	SILVER	395031	174032
1730	GRAY	395127	N/A

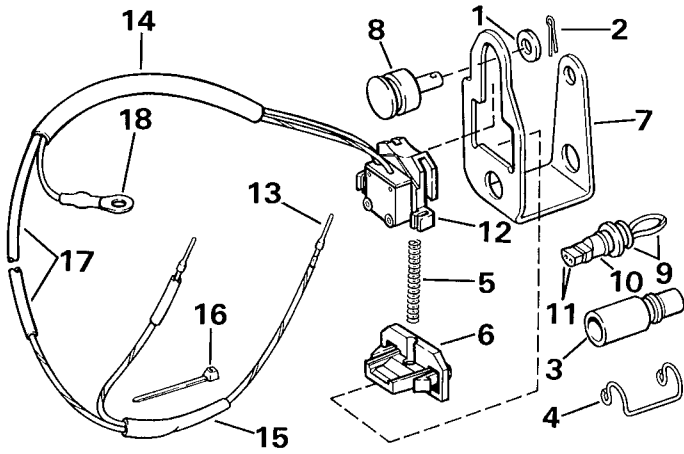
INDENTED PART NAMES INDICATE THAT THESE PARTS ARE INCLUDED IN PRECEDING ASSEMBLY

SPECIFY MODEL AND SERIAL NUMBER OF ENGINE WHEN
ORDERING PARTS ORDER ALL PARTS FROM YOUR
LOCAL AUTHORIZED DEALER

PART NUMBERS NEW FOR THIS MODEL YEAR CAN BE
IDENTIFIED BY THE BOX SYMBOL ■ IN NAME OF PART COLUMN

SHIFT ASSIST KIT - 2.6 LITRE MODELS ONLY

BQ94

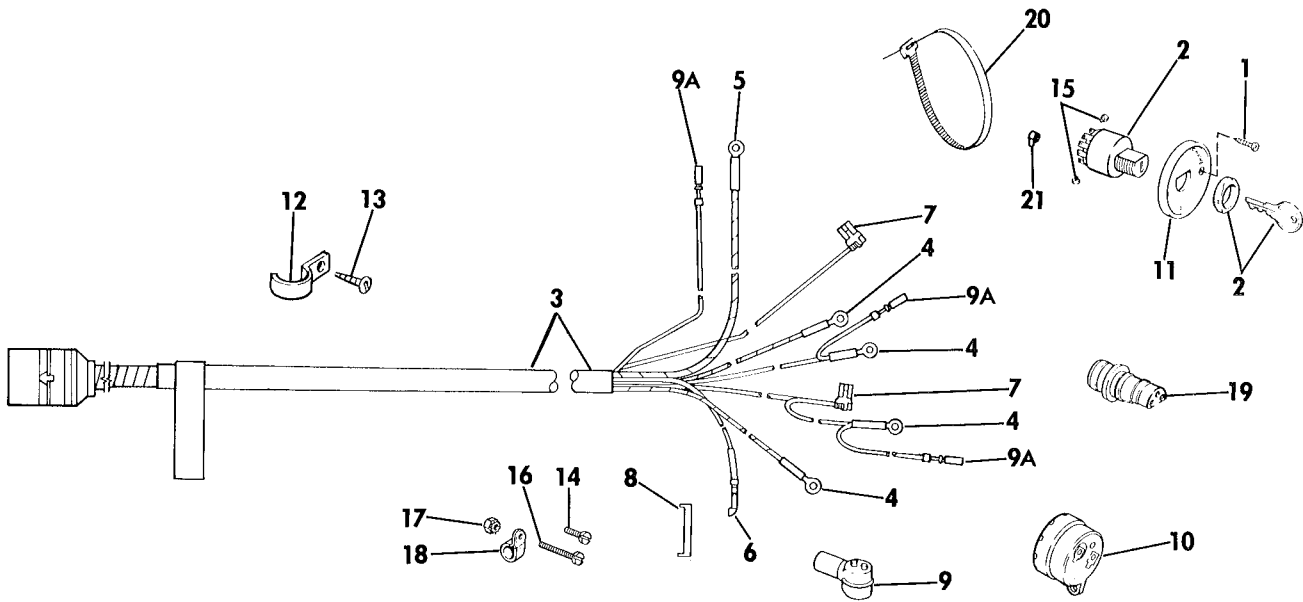


843042

Ref. No.	P/N	Name of Part	Qty.
*	983623	SHIFT ASSIST KIT	1
1	304051	WASHER	1
2	306387	COTTER PIN	3
3	511616	CONNECTOR	1
4	511618	RETAINER	1
5	911054	SPRING	1
6	911057	RETAINER	1
7	911383	SHIFT BRACKET	1
8	911416	PIN	1
9	983164	CONN PLUG & LEAD ASSY	1
10	511989	TWO PIN CONNECTOR	1
11	581656	SOCKET ASSY	2
12	983197	SWITCH & SLIDER ASSY	1
13	511469	PIN	1
14	311612	TUBE	1
15	315072	WIRE SPLICE	2
16	317893	TIE STRAP	1
17	510628	INSULATING SLEEVE	1
18	510818	TERMINAL	1

* Not Shown

WIRING KIT - SINGLE LEVER CONTROLS WITHOUT EMERGENCY IGNITION CUT OFF SWITCH - ALL MODELS



BQ115

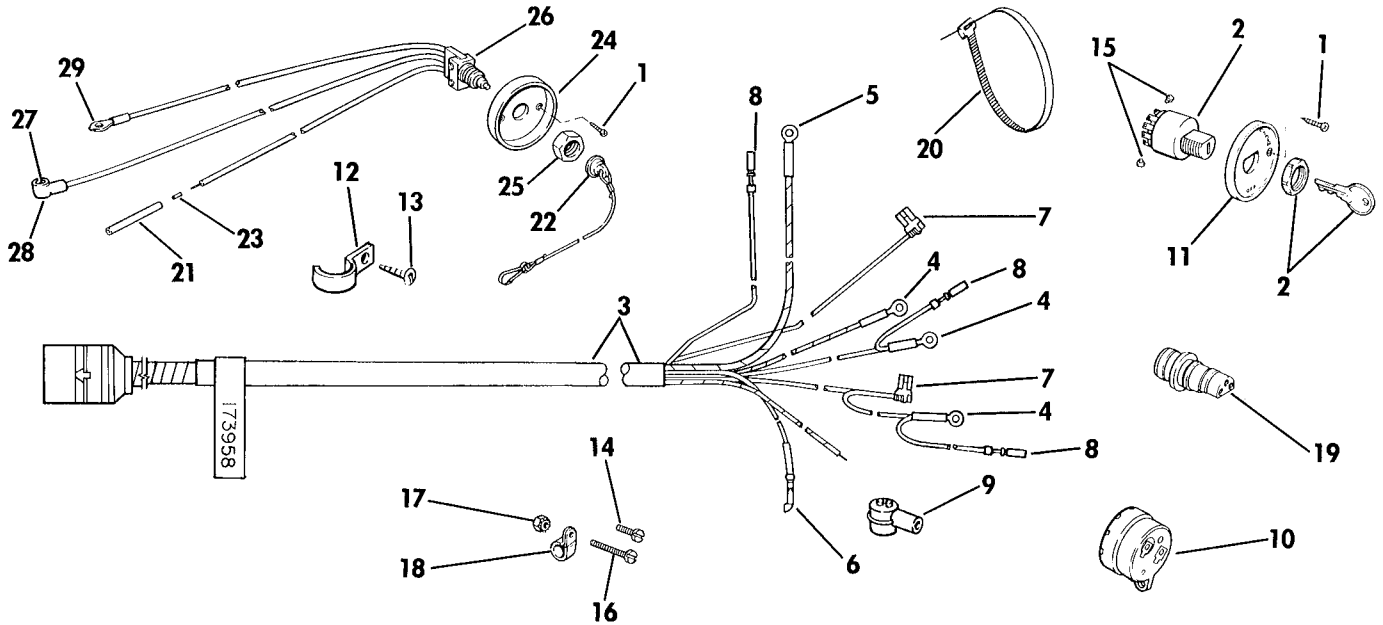
824185

Ref. No.	P/N	Name of Part	Qty	Ref. No.	P/N	Name of Part	Qty.
*	173769	WIRING KIT, Single lever controls, 20'	1	9	322815	COVER	1
*	174141	WIRING KIT, Single lever controls, 28'	1	9A	581656	SOCKET	3
1	122481	SCREW, Panel mounting	2	10	389263	HORN ASSEMBLY	1
†2	393301	SWITCH & KEY	1	11	323272	MOUNTING PANEL PLATE	1
3	173826	INSTRUMENT CABLE ASSEMBLY, 20'	1	12	304494	CLAMP	4
3	174139	INSTRUMENT CABLE ASSEMBLY, 28'	1	13	305009	SCREW	4
4	510780	RING TERMINAL	3	14	306286	SCREW, Clamp to dash	2
5	204038	RING TERMINAL	1	15	306559	SCREW, Terminals	6
6	308808	TERMINAL	1	16	307190	SCREW, Clamp to dash	1
7	309437	FLAG TERMINAL	2	17	308335	NUT, Clamp screw	2
8	316198	TUBING	1	18	316669	CLAMP, Cable to dash	2
				19	511990	3 PIN CONNECTOR	1
				20	320107	TIE STRAP	3
				21	123975	COVER, Switch	1

* Not Shown

† See Service Bulletin for Key Ordering Information

WIRING KIT - SINGLE LEVER CONTROLS WITH EMERGENCY IGNITION CUTOFF SWITCH - ALL MODELS



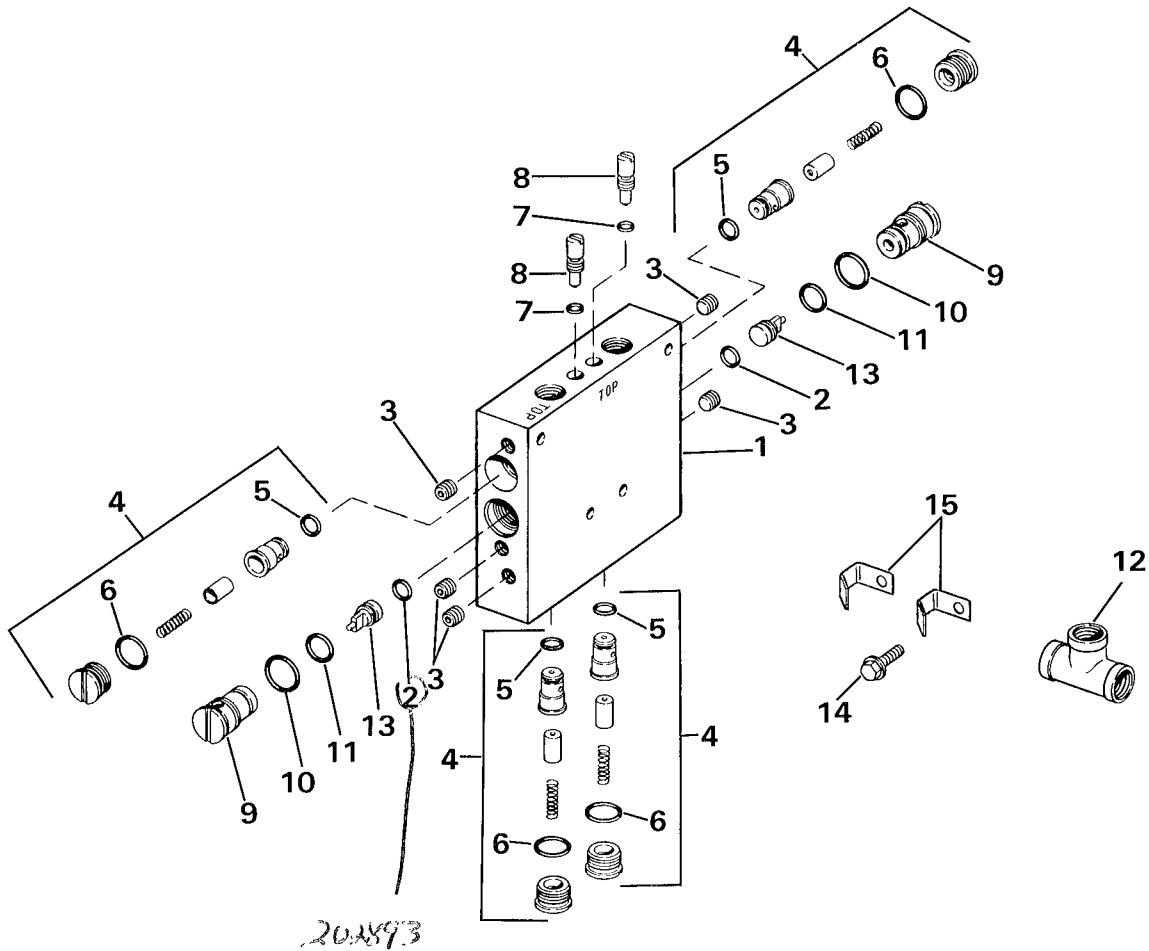
BQ114

841331

Ref. No.	P/N	Name of Part	Qty.	Ref. No.	P/N	Name of Part	Qty.
*	173959	WIRING KIT, Single lever controls	1	14	306286	SCREW, Clamp to dash	2
1	122481	SCREW, Panel mounting	4	15	306559	SCREW, Terminals	6
†2	393301	SWITCH & KEY	1	16	307190	SCREW, Clamp to dash	1
3	173958	INSTRUMENT CABLE ASSEMBLY	1	17	308335	NUT, Clamp screw	2
4	510780	RING TERMINAL	3	18	316669	CLAMP, Cable to dash	2
5	204038	RING TERMINAL	1	19	511990	3 PIN CONNECTOR	1
6	308808	TERMINAL	1	20	320107	TIE STRAP	3
7	309437	FLAG TERMINAL	2	21	510817	TUBE	1
8	581656	SOCKET	3	22	392288	CAP & LANYARD ASSY	1
9	322815	COVER	1	23	315072	WIRE SPLICE	1
10	389263	HORN ASSEMBLY	1	24	124118	BEZEL SWITCH	1
11	323272	MOUNTING PANEL PLATE	1	25	327805	NUT, Switch	1
12	304494	CLAMP	4	26	173957	CUT OFF SWITCH	1
13	305009	SCREW	4	27	327166	TERMINAL	1
				28	123975	COVER	1
				29	510780	TERMINAL	1

* Not Shown † See Service Bulletin for Key Ordering Information

SYNCHRONIZATION VALVE DUAL ENGINE - ALL HYDRAULIC STEERING MODELS

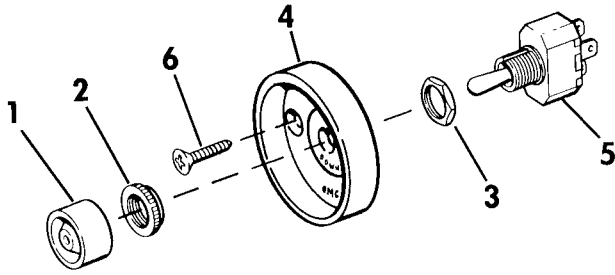


BQ49

851217

Ref. No.	P/N	Name of Part	Qty.	Ref. No.	P/N	Name of Part	Qty.
1	983430	SYNCHRONIZATION VALVE ASSY	1	9	983076	VALVE ASSY	2
2	202383 202893	O-RING	2	10	319344	O-RING	1
3	321164	PLUG	4	11	910871	O-RING	1
4	984163	VALVE ASSY	4	12	910877	TEE, Steering lines	1
5	202383	O-RING	1	13	910873	PISTON, Flow control	1
6	326649	O-RING	1	14	911321	BOLT, Spacer	1
7	305739	O-RING	2	15	911313	SPACER	2
8	911254	NEEDLE VALVE	2				

SELECTRIM/TILT SWITCH - ALL MODELS



BQ96

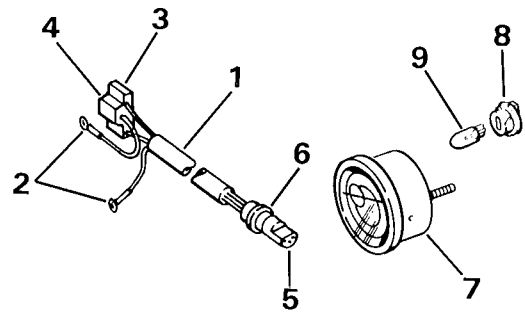
Ref. No.	P/N	Name of Part	Qty.
1	310781	COVER	1
2	310782	NUT	1
3	900185	NUT	1
4	124812	BEZEL, Trim	1
5	976443	POWER TILT/TRIM SWITCH	2
6	122481	SCREW, Mounting bezel	2

814097

SELECTRIM GAUGE & CABLE - ALL MODELS

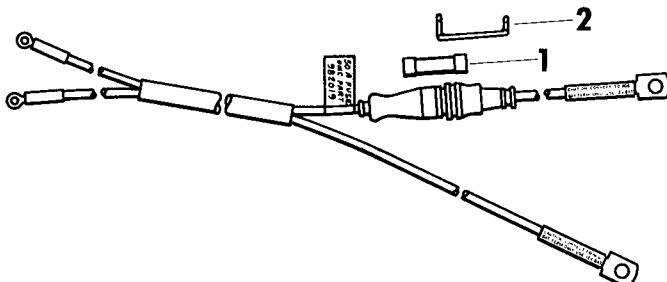
BQ95

Ref. No.	P/N	Name of Part	Qty.
1	174348	CABLE ASSEMBLY, 20'	
2	204036	RING TERMINAL	2
3	309474	CONNECTOR	1
4	309433	TERMINAL, Housing	3
5	581656	SOCKET ASSEMBLY	3
6	512747	CONNECTOR	1
7	983466	TRIM POSITION INDICATOR GAUGE KIT	1
8	122553	SOCKET	1
9	122552	BULB	1



843043

CABLE ASSEMBLY - BATTERY TO JUNCTION BOX - ALL MODELS



834090

BQ54

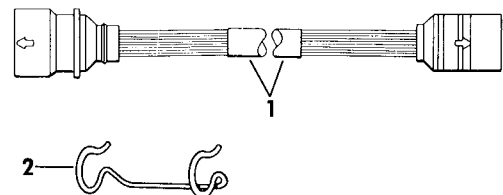
Ref. No.	P/N	Name of Part	Qty.
*	983601	CABLE ASSEMBLY KIT	1
1	982019	FUSE	1
2	910330	RETAINER, Fuse	1

* Not Shown

EXTENSION HARNESS - INSTRUMENTS - ALL MODELS

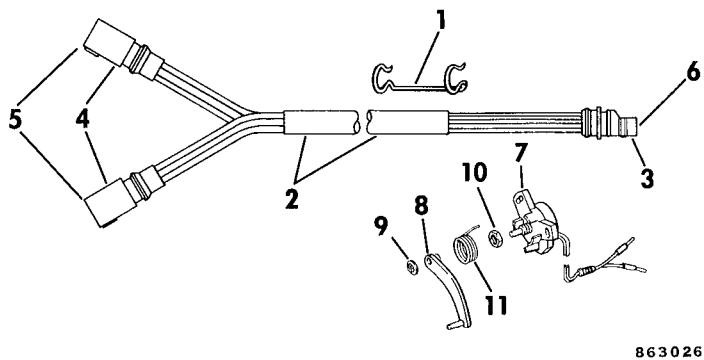
BQ55

Ref.No.	P/N	Name of Part	Qty.
1	173771	CABLE ASSEMBLY, 10 ft	1
2	315182	CLAMP	1



33819

SECOND STATION CABLE KIT - SELECTRIM/TILT - ALL MODELS



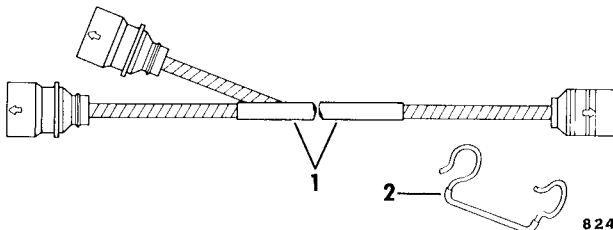
BQ97

Ref. No.	P/N	Name of Part	Qty.
1	512742	RETAINER	3
2	984284	CONNECTOR ASSEMBLY	1
3	512747	CONNECTOR	1
4	512748	CONNECTOR	2
5	511469	PIN	6
6	581656	SOCKET ASSEMBLY	3
7	984455	SENDING UNIT	1
8	910973	ARM	1
9	511527	RETAINER	1
10	320689	NUT	1
11	910790	SPRING	1

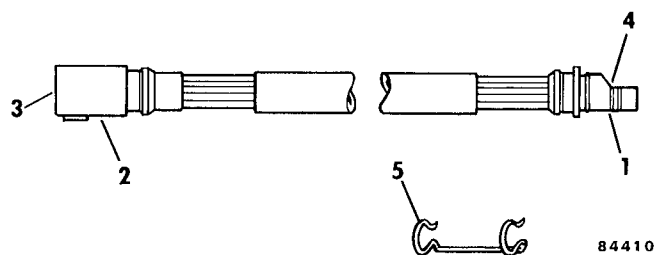
SECOND STATION CABLE KIT - INSTRUMENTS

BQ57

Ref. No.	P/N	Name of Part	Qty.
1	983017	CABLE ASSEMBLY	1
2	315182	CLAMP	2



EXTENSION CABLE - TRIM



BQ98

Ref. No.	P/N	Name of Part	Qty.
*	984283	CABLE ASSEMBLY, 10 ft	1
1	512747	CONNECTOR	1
2	512748	CONNECTOR	1
3	511469	PIN	3
4	581656	SOCKET ASSEMBLY	3
5	512742	RETAINER	1

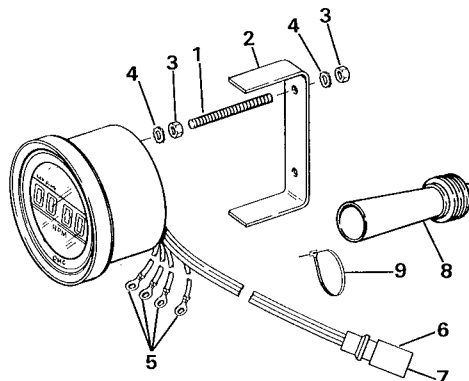
* Not Shown

QUARTACH™ TACHOMETER - FLUSH MOUNT - DIGITAL - PLUG IN

BQ99

Ref. No.	P/N	Name of Part	Qty.
*	174195	QUARTACH™ TACHOMETER	1
1	123641	STUD, Mounting	2
2	123642	BRACKET, Mounting	1
3	133079	NUT, Mounting	4
4	306991	LOCKWASHER, Mounting	4
5	124343	RING TERMINAL	4
6	512748	CONNECTOR	1
7	511469	PIN	3
8	124280	BOOT	1
9	320107	TIE STRAP	1

* Not Shown

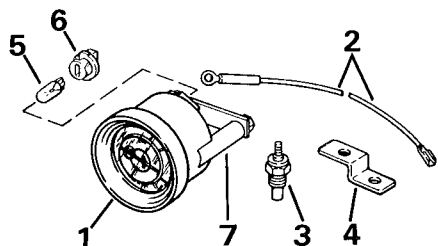


WATER TEMPERATURE GAUGE KIT

BQ60

Ref.No.	P/N	Name of Part	Qty.
*	174098	WATER TEMPERATURE GAUGE KIT, Black bezel	1
1	173817	GAUGE ASSY, Black bezel	1
2	172828	LEAD ASSY, sending unit to gauge	2
3	172843	SENDING UNIT ASSY	1
4	122787	BRACKET, Mounting	2
5	122552	BULB	1
6	122553	LIGHT SOCKET	3
7	124611	BRACKET	1

* Not Shown



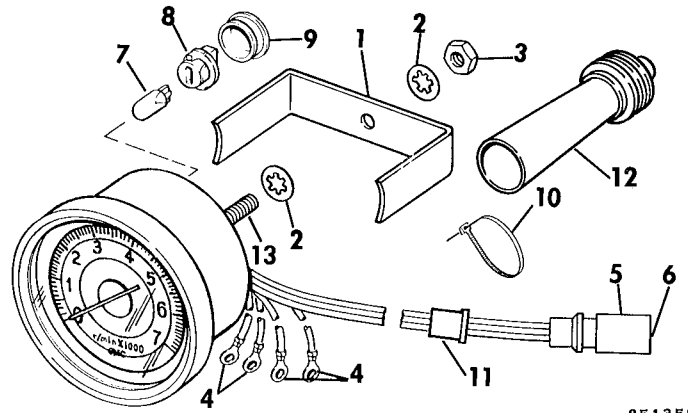
843053

BQ100

Ref. No.	P/N	Name of Part	Qty.
*	174207	TACHOMETER KIT - 7000 RPM ALUM BEZEL	1
*	174206	TACHOMETER KIT - 7000 RPM BLACK BEZEL	1
1	122558	BRACKET, Mounting	1
2	306992	LOCKWASHER	2
3	304753	NUT	1
4	124343	RING TERMINAL	4
5	512748	CONNECTOR	1
6	511469	PIN	3
7	122552	BULB	1
8	122553	SOCKET, Bulb	1
9	122916	COVER, Bulb socket	1
10	320107	TIE STRAP	1
11	122915	BUSHING, Cable assy	1
12	124280	BOOT	1
13	122679	STUD	1

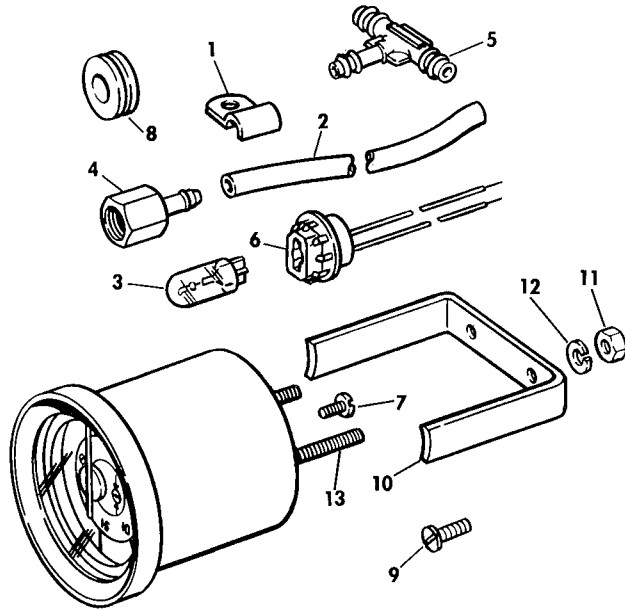
* Not Shown

TACHOMETER KIT - PLUG IN



851359

WATER PRESSURE GAUGE KIT



863025

BQ101

Ref. No.	P/N	Name of Part	Qty.
*	174499	WATER PRESSURE GAUGE KIT, Kilo pascals	1
*	174500	WATER PRESSURE GAUGE KIT, Pounds per square inch	1
1	120001	CLAMP, Hose	5
2	121829	HOSE	2
3	122552	BULB	1
4	123552	HOSE CONNECTOR	1
5	123553	TEE CONNECTOR	1
6	172952	LIGHT SOCKET	3
7	306915	SCREW	2
8	307417	GROMMET	1
9	310115	SCREW	1
10	124611	BRACKET	1
11	133079	NUT	2
12	309776	LOCKWASHER	2
13	124670	STUD	2
*	123692	CONNECTOR, Water pressure line	1

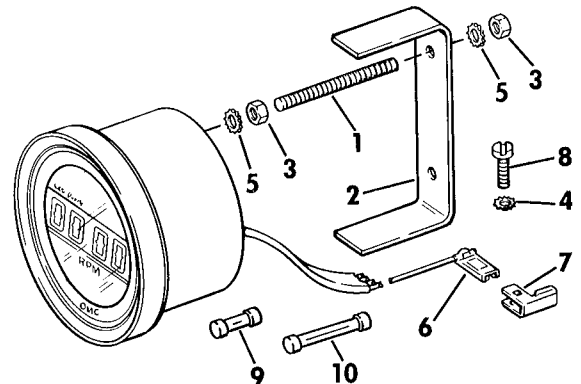
* Not Shown

QUARTACH™ TACHOMETER - FLUSH MOUNT - DIGITAL

BQ63

Ref. No.	P/N	Name of Part	Qty.
*	173955	QUARTACH™ TACHOMETER	1
1	123641	STUD, Mounting	2
2	123642	BRACKET, Mounting	1
3	133079	NUT, Mounting	4
4	303916	LOCKWASHER, Ground	1
5	306991	LOCKWASHER, Mounting	4
6	309437	FLAG TERMINAL	1
7	319984	ADAPTOR	1
8	510338	SCREW, Ground	1
9	123981	FUSE	1
10	174132	LAMP	1

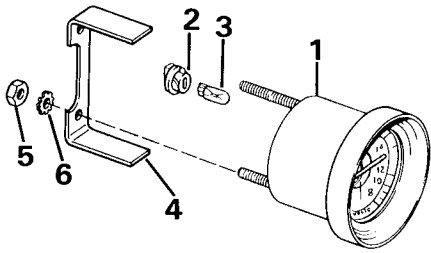
* Not Shown



834085

VOLTMETER KIT

BQ64



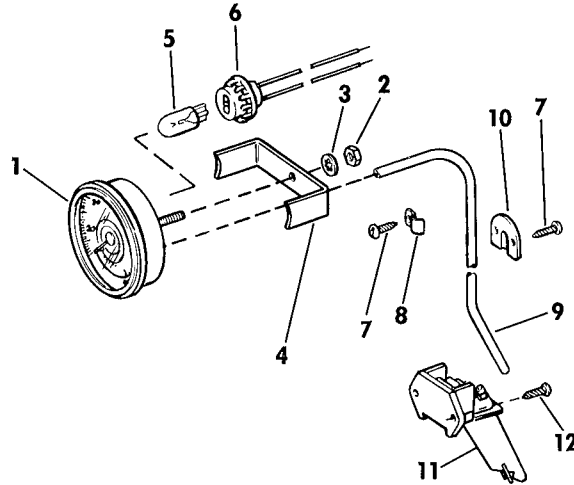
74333

Ref. No.	P/N	Name of Part	Qty.
1	174097	VOLTMETER KIT, Black bezel	1
2	122553	SOCKET	1
3	122552	BULB	1
4	909693	BRACKET	1
5	304753	NUT	2
6	306992	LOCKWASHER	2

BQ65

SPEEDOMETER KIT - FLUSH MOUNT

Ref.No.	P/N	Name of Part	Qty.
*	173750	SPEEDOMETER KIT, 65 mph	1
1	173783	SPEEDOMETER ASSY, 65 mph	1
2	304753	NUT	1
3	306992	LOCKWASHER	1
4	121710	BRACKET	1
5	122552	BULB	1
6	172952	LIGHT SOCKET	1
7	310115	SCREW	9
8	120001	HOSE CLAMP	5
9	121829	HOSE, Speedometer	1
10	121828	GUARD, Thru transom	1
11	173623	PITOT TUBE ASSEMBLY	1
12	122822	SCREW, Pitot mounting	2-3

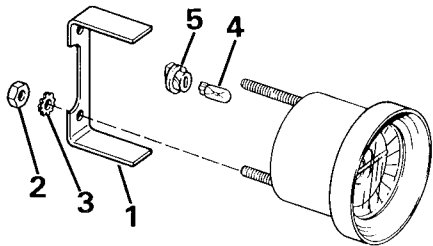


8241 20

* Not Shown

FUEL GAUGE KIT

BQ66



74367

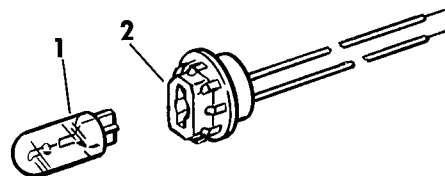
Ref.No	P/N	Name of Part	Qty.
*	174093	FUEL GAUGE KIT	1
1	909693	BRACKET	1
2	304753	NUT	2
3	306992	LOCKWASHER	2
4	122552	BULB	1
5	122553	SOCKET	1

* Not Shown

BQ67

SPEEDOMETER LIGHT KIT

Ref.No.	P/N	Name of Part	Qty.
*	172951	SPEEDOMETER KIT	1
1	122552	BULB	1
2	172952	BULB SOCKET	1

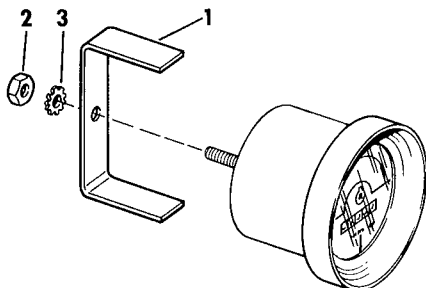


802130

* Not Shown

TIME INDICATOR KIT

BQ68

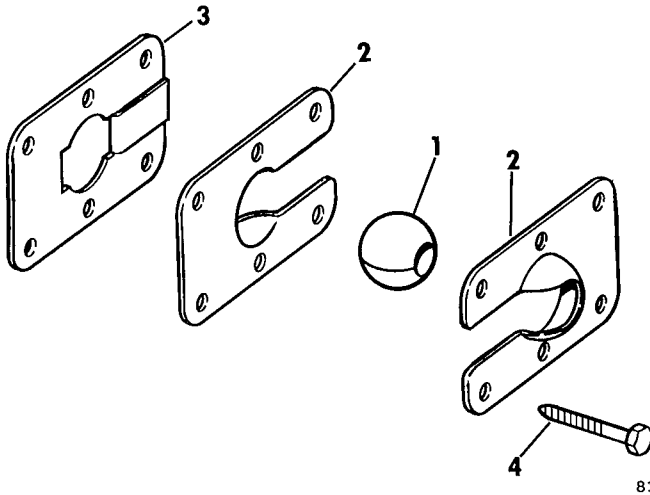


94043

Ref. No.	P/N	Name of Part	Qty.
*	173516	TIME INDICATOR KIT	1
1	123510	BRACKET	1
2	204046	NUT	1
3	303916	LOCKWASHER	1

* Not Shown

THRU TRANSOM KIT - 1.6 LITRE MECHANICAL STEERING



BQ102

Ref. No.	P/N	Name of Part	Qty.
1	911177	SEAL, Steering cable	1
2	911178	PLATE, Steering cable	2
3	911180	SEAL, Plate	1
4	910987	SCREW	6

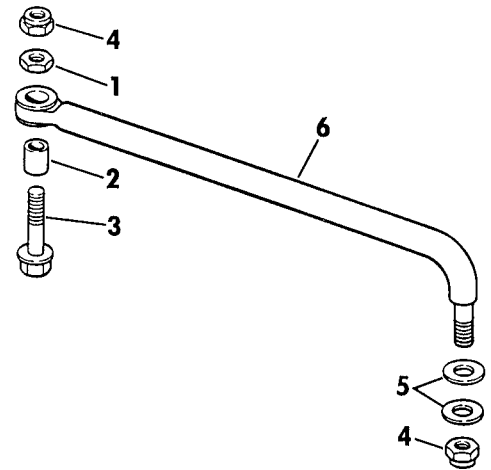
834016

STEERING CONNECTOR KIT - 1.6 LITRE MECHANICAL STEERING

BQ103

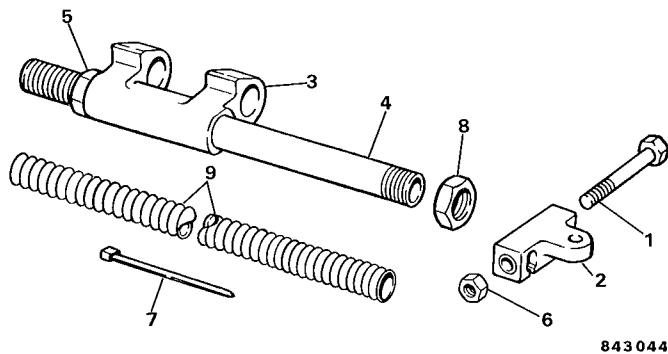
Ref. No.	P/N	Name of Part	Qty.
1	122840	NUT, Pivot	1
2	122841	SPACER, Pivot	1
3	123178	BOLT, Steering connector	1
4	315077	LOCKNUT, Stainless steel	2
5	319453	WASHER	2
6	173694	CONNECTOR ROD ASSY, Stainless steel	1

* Not Shown



822015

DUAL CABLE STEERING KIT - PARALLEL ENTRY - 1.6 MECHANICAL STEERING



843044

BQ104

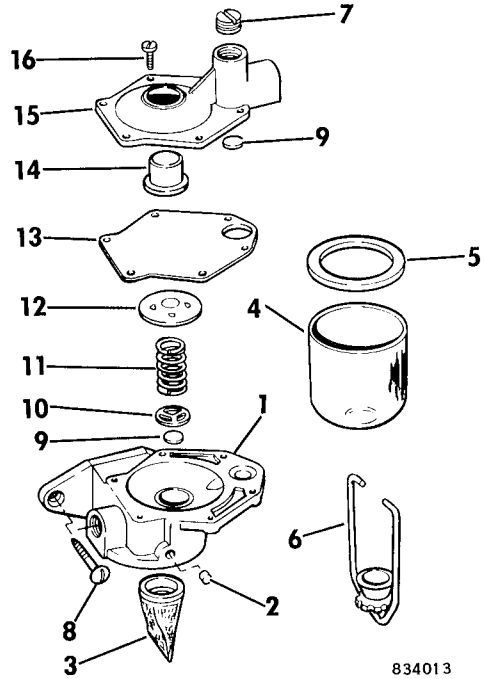
Ref. No.	P/N	Name of Part	Qty.
1	123346	SCREW	1
2	123607	CONNECTOR	1
*	983417	TUBE AND BRACKET ASSY	1
3	911242	MOUNTING BRACKET	1
4	911175	TUBE, Steering	1
5	911183	NUT	1
6	315077	LOCKNUT	1
7	317893	TIE STRAP	2
8	983678	WIPER NUT	1
9	911324	JACKET, Steering cable	1

* Not Shown

PRIMER PUMP KIT - 1.6 LITRE MODELS ONLY

BQ116

Ref. No.	P/N	Name of Part	Qty.
1	983473	PRIMER PUMP KIT ASSY	1
2	305243	PLUG, Core	1
3	305185	FILTER	1
4	330810	BOWL	1
5	303622	GASKET	1
6	389686	THUMB NUT & YOKE ASSY	1
7	324076	PLUG, Pipe	1
8	303675	SCREW, Wood	2
9	303614	VALVE, Disc	2
10	303420	RETAINER, Valve	1
11	301803	SPRING	1
12	305714	SUPPORT	1
13	305716	DIAPHRAGM	1
14	305713	BUTTON, Push	1
15	305717	HOUSING	1
16	306431	SCREW	6

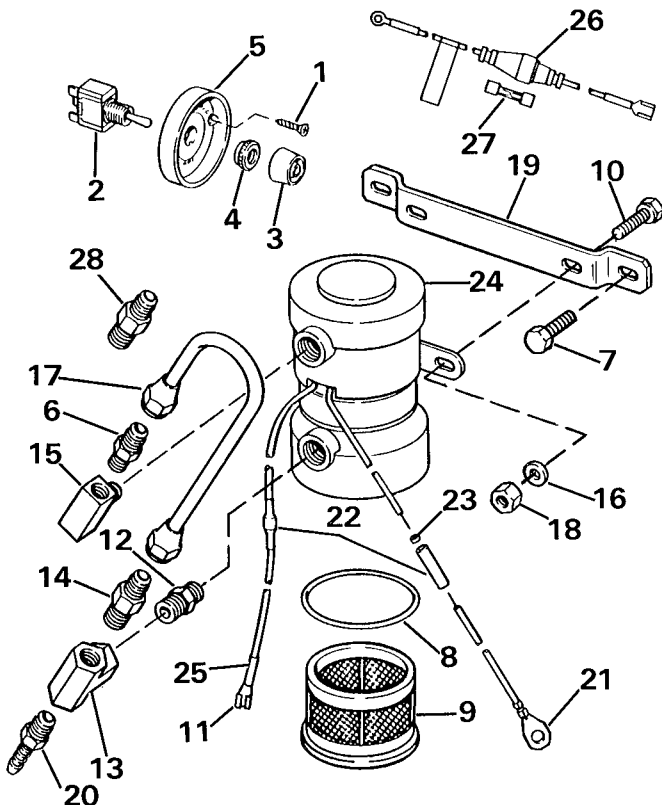


834013

ELECTRIC PRIMER PUMP ASSY. - ALL MODELS

BQ105

Ref. No.	P/N	Name of Part	Qty.
*	395251	ELECTRIC PRIMER PUMP ASSY	1
1	122481	SCREW, Bezel	2
2	393125	SWITCH, Primer	1
3	310781	COVER, Switch	1
4	310782	NUT, Switch	1
5	330069	BEZEL, Primer switch	1
6	329586	FLANGE, Connection	1
7	124073	LAG SCREW	2
*	395252	FUEL PUMP ASSY	1
8	302588	O-RING	1
9	328072	FILTER, Pump	1
10	304027	SCREW	2
11	511828	TERMINAL	1
12	329587	FITTING, Reducer	1
13	329589	TEE, Large	1
14	394302	CHECK VALVE	1
15	329588	TEE, Small	1
16	328702	WASHER	2
17	394303	TUBE & NUT ASSY	1
18	328740	NUT	1
19	330548	BRACKET, Mounting	1
20	330552	FITTING, Inlet	1
21	204053	RING, Terminal	1
22	320597	TUBING	2
23	510952	SPLICE	2
24	392752	FUEL PUMP	1
25	510781	TUBE	1
26	582955	LEAD ASSY	1
27	512129	FUSE, 5 amp	1
28	330457	CONNECTOR	1



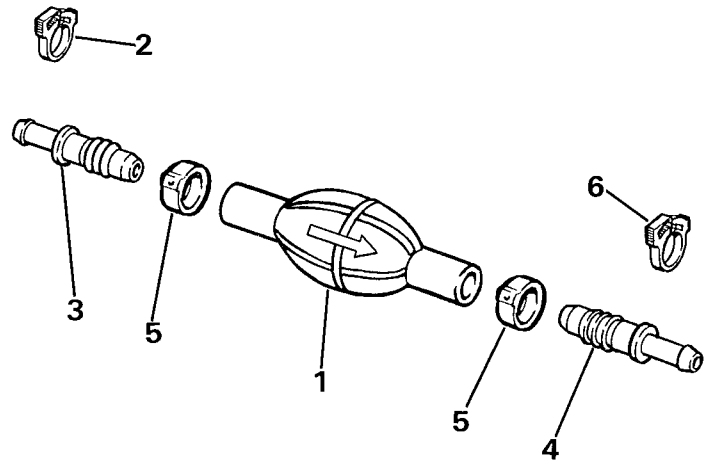
851233

* Not Shown

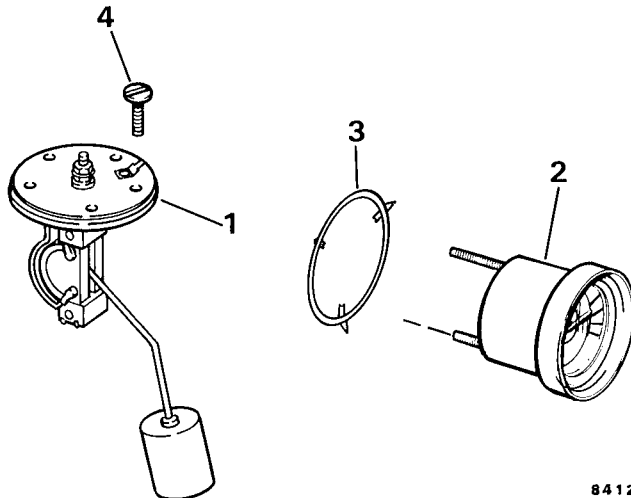
PRIMER BULB KIT

BQ110

Ref. No.	P/N	Name of Part	Qty.
1	174160	PRIMER BULB ASSY	1
2	329654	HOSE CLAMP	2
3	394351	NIPPLE & VALVE ASSY , Inlet	1
4	394352	NIPPLE & VALVE ASSY , Outlet	1
5	553166	HOSE CLAMP	2
6	329653	HOSE CLAMP	2



OIL LEVEL GAUGE & SENDING UNIT - ALL VRO® OIL TANKS



841224

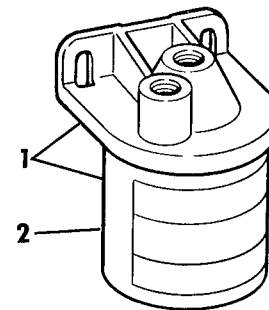
BQ118

Ref. No.	P/N	Name of Part	Qty.
*	174198	OIL LEVEL GAUGE & SENDER	1
1	173948	SENDER UNIT	1
2	174110	GAUGE ASSEMBLY	1
3	123550	RING	1
4	124573	SCREW, Sender to tank	5

* Not Shown

FUEL FILTER

841337



841027

BQ75

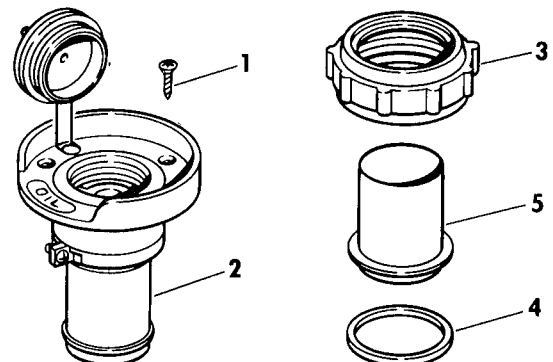
Ref. No.	P/N	Name of Part	Qty.
1	174176	OMC FUEL FILTER ASSY	1
2	174144	ELEMENT	1

VRO® REMOTE OIL FILL KIT - 1.8, 3.0, 3.5 & 7 GALLON TANK

BQ117

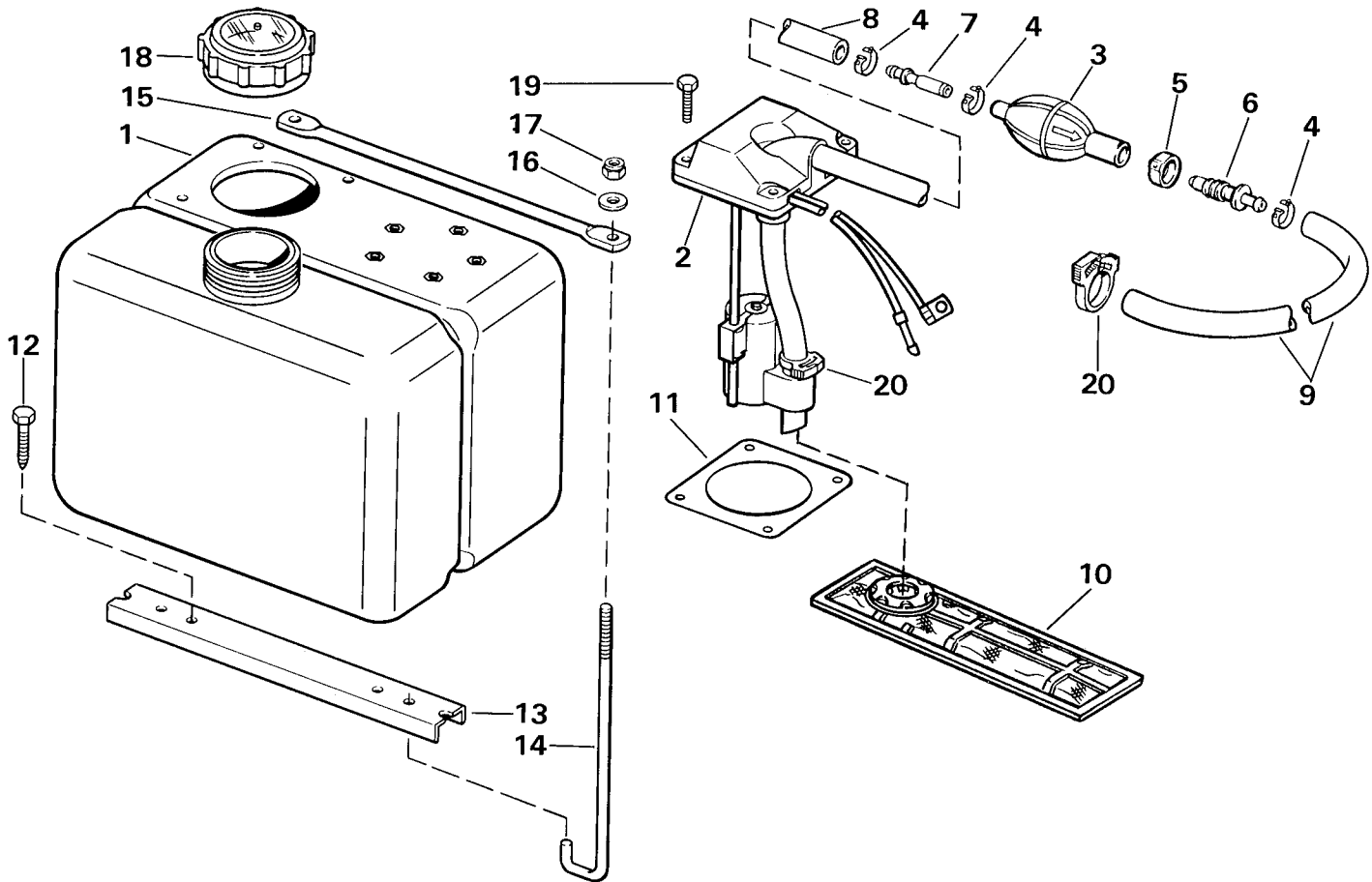
Ref. No.	P/N	Name of Part	Qty.
*	174133	REMOTE OIL FILL KIT	1
1	123678	SCREW, Mounting	3
2	174138	VENT AND DECK PLATE	1
3	124390	CAP, Oil fill	1
4	124388	GASKET	1
5	124389	TUBE	1
*	123956	FILL HOSE, 25 ft roll	AR
*	123955	VENT HOSE	AR

* Not Shown



832159

VRO® OIL TANK KIT - 1.8 & 3.0 GALLON



BQ111

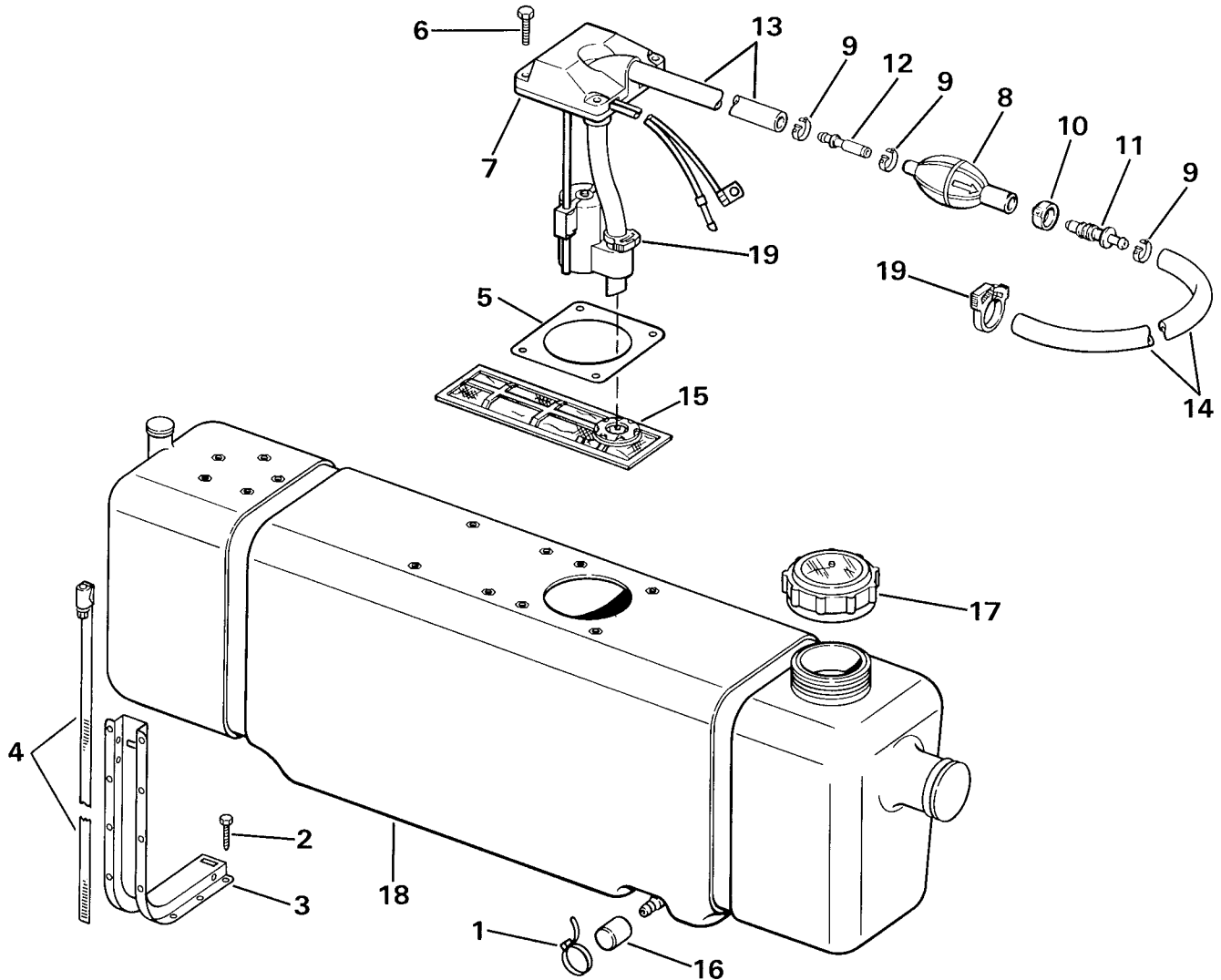
863028

Ref. No.	P/N	Name of Part	Qty.	Ref. No.	P/N	Name of Part	Qty.
*	174167	OIL TANK KIT, (1.8 gallon)	1	12	124073	MOUNTING SCREW	2
*	174249	OIL TANK KIT, (3.0 gallon)	1	13	124292	MOUNTING BRACKET (1.8 gallon)	1
1	174164	OIL TANK ASSY (1.8 gallon)	1	13	124693	MOUNTING BRACKET (3.0 gallon)	1
1	174248	OIL TANK ASSY (3.0 gallon)	1	14	124291	HOOK BOLT (1.8 gallon)	2
2	174163	OIL PICKUP ASSY (1.8 gallon)	1	14	124691	HOOK BOLT (3.0 gallon)	2
2	174250	OIL PICKUP ASSY (3.0 gallon)	1	15	124290	CROSS BAR (1.8 gallon)	1
3	174157	BULB, Primer	1	15	124694	CROSS BAR (3.0 gallon)	1
4	303596	CLAMP, Hose, small	3	16	121497	WASHER	2
5	553166	CLAMP, Hose, large	1	17	121470	NUT	2
6	383720	VALVE, Outlet	1	18	173851	CAP	1
7	383719	VALVE, Inlet	1	19	124485	SCREW, Pickup to tank	4
8	†	HOSE, Short 12" long	1	20	322654	CLAMP, Hose	2
9	†	HOSE, Long 120" long	1				
10	174377	FILTER, Pickup	1				
11	123906	GASKET	1				

* Not Shown

† Cut to Length from 319719

VRO® OIL TANK KIT - 3.5 & 7 GALLON



BQ112

863 029

Ref. No.	P/N	Name of Part	Qty.	Ref. No.	P/N	Name of Part	Qty.
*	174168	3.5 GALLON OIL TANK KIT	1	10	553166	CLAMP, Hose, large	1
*	174169	7 GALLON OIL TANK KIT	1	11	383720	VALVE, Outlet	1
1	124249	TIE STRAP, Drain	1	12	383719	VALVE, Inlet	1
2	124073	LAG SCREW	8	13	†	HOSE, Short, 12" long	1
3	124460	BRACKET	2	14	†	HOSE, Long, 120" long	1
4	174173	CLAMP ASSY, Tank mtg	2	15	174377	FILTER, Pickup	1
5	123906	GASKET, Pickup	1	16	124072	CAP, Drain	1
6	124485	SCREW, Pickup to tank	4	17	173851	CAP, Oil tank	1
7	174170	PICKUP ASSEMBLY	1	18	173857	OIL TANK, 3.5 gallon	1
8	174157	PRIMER BULB	1	18	173878	OIL TANK, 7 gallon	1
9	303596	CLAMP, Hose, small	3	19	322654	CLAMP, Hose	2

* Not Shown

† Cut to Length from 319719

VRO® DUAL OIL TANK PICKUP KIT

BQ113

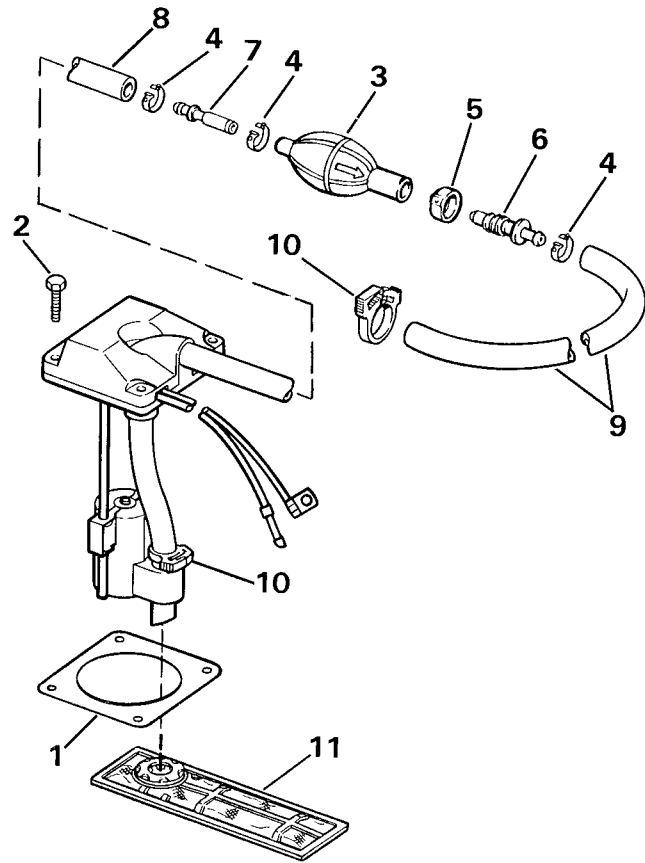
Ref. No.	P/N	Name of Part	Qty.
*	174170	DUAL OIL TANK PUMP KIT ①	1
*	174245	DUAL OIL TANK PUMP KIT ②	1
1	123906	GASKET, Pickup	1
2	124485	SCREW, Pickup to tank	4
3	174157	BULB, Primer	1
4	393641	CLAMP, Hose, small	4
5	553166	CLAMP, Hose, large	1
6	383720	VALVE, Outlet	1
7	383719	VALVE, Inlet	1
8	†	HOSE, Short, 12" long	1
9	†	HOSE, Long, 120" long	1
10	322654	HOSE, Clamp	2
11	174377	FILTER	1

* Not Shown

† Cut to Length from 319719

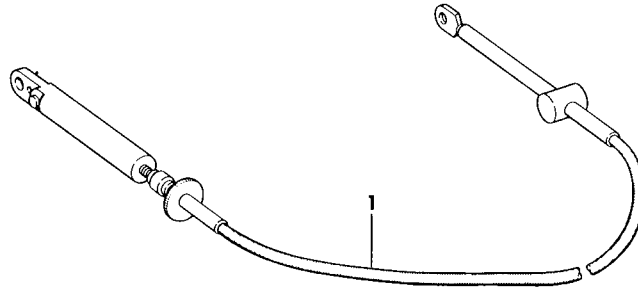
① 3.5, & 7 Gallon Tanks Only

② 30 Gallon Tank Only



863030

OMC SNAP-IN CABLES

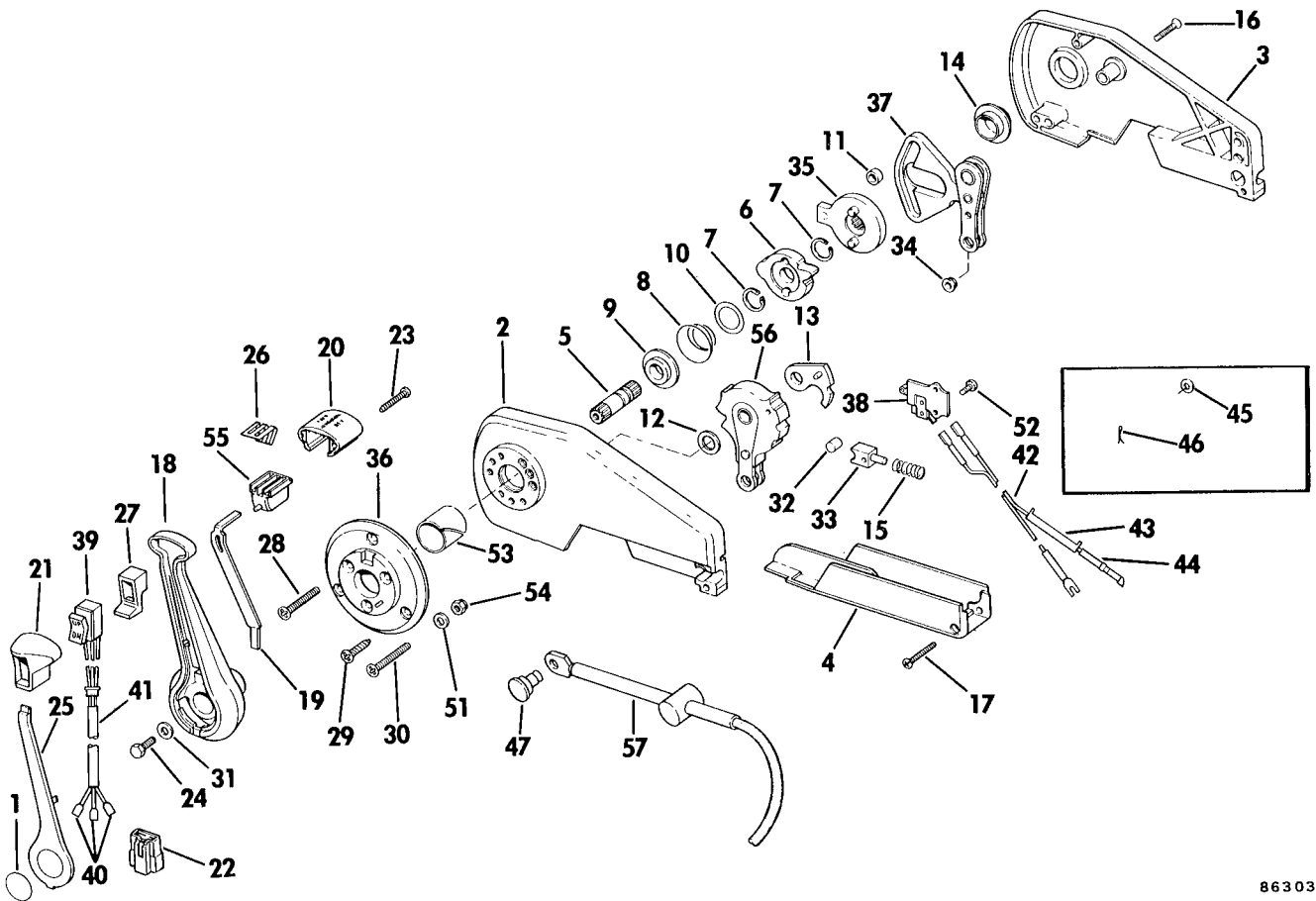


BQ88

94050

Ref. No.	P/N	Name of Part	Qty.	Ref. No.	P/N	Name of Part	Qty.
1	173110	CABLE ASSEMBLY, 10 ft	1	1	173126	CABLE ASSEMBLY, 26 ft	1
1	173111	CABLE ASSEMBLY, 11 ft	1	1	173128	CABLE ASSEMBLY, 28 ft	1
1	173112	CABLE ASSEMBLY, 12 ft	1	1	173130	CABLE ASSEMBLY, 30 ft	1
1	173113	CABLE ASSEMBLY, 13 ft	1	1	173132	CABLE ASSEMBLY, 32 ft	1
1	173114	CABLE ASSEMBLY, 14 ft	1	1	173134	CABLE ASSEMBLY, 34 ft	1
1	173115	CABLE ASSEMBLY, 15 ft	1	1	173136	CABLE ASSEMBLY, 36 ft	1
1	173116	CABLE ASSEMBLY, 16 ft	1	1	173138	CABLE ASSEMBLY, 38 ft	1
1	173117	CABLE ASSEMBLY, 17 ft	1	1	173140	CABLE ASSEMBLY, 40 ft	1
1	173118	CABLE ASSEMBLY, 18 ft	1	1	173142	CABLE ASSEMBLY, 42 ft	1
1	173119	CABLE ASSEMBLY, 19 ft	1	1	173144	CABLE ASSEMBLY, 44 ft	1
1	173120	CABLE ASSEMBLY, 20 ft	1	1	173146	CABLE ASSEMBLY, 46 ft	1
1	173122	CABLE ASSEMBLY, 22 ft	1	1	173148	CABLE ASSEMBLY, 48 ft	1
1	173124	CABLE ASSEMBLY, 24 ft	1	1	173150	CABLE ASSEMBLY, 50 ft	1

REMOTE CONTROL ASSEMBLY - CONCEALED SIDE MOUNT



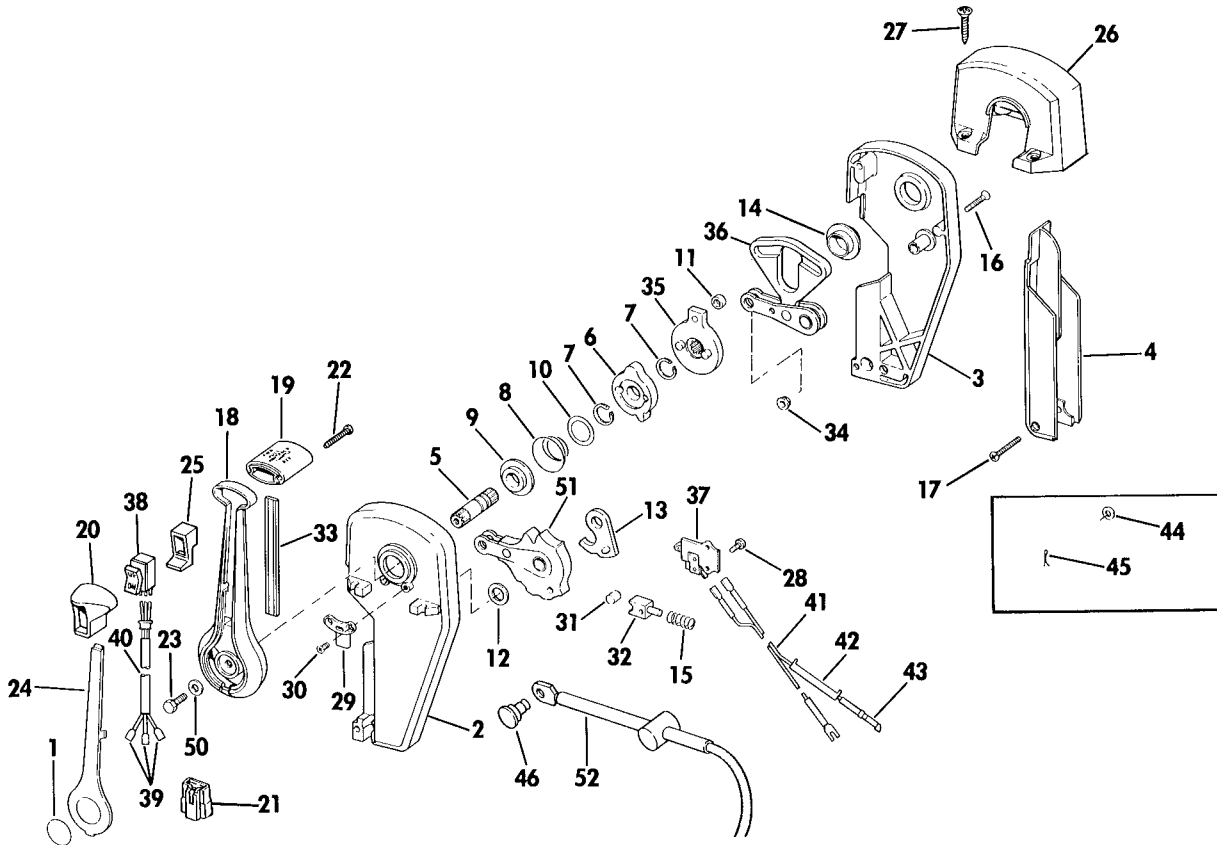
BQ107

863032

Ref. No.	P/N	Name of Part	Qty.	Ref. No.	P/N	Name of Part	Qty.
*	174280	REMOTE CONTROL ASSY - Cncl side mt w/trim switch	1	30	123317	SCREW, Flange to boat	3
1	123315	APPLIQUE	1	31	901893	WASHER, Handle to shaft	2
2	123244	HOUSING, Control	1	32	123341	ROLLER, Detent	1
3	123245	HOUSING, Control	1	33	123342	SHOE, Detent roller	1
4	173598	TRAY, Control housing	1	34	123350	BUSHING	2
5	123261	SHAFT, Remote control	1	35	173571	THROTTLE HUB ASSEMBLY	1
6	123496	DRIVE GEAR, Shift	1	36	173477	MOUNTING FLANGE & PIN	1
7	123264	RETAINING RING, Drive gear	2	37	173478	THROTTLE CAM & ARMS ASSY	1
8	123265	SPRING, Drive gear return	1	38	173480	NEUTRAL START SWITCH ASSY	1
9	123266	BUSHING, Shaft to housing	1	39	174285	TRIM SWITCH AND LEAD ASSY	1
10	123267	WASHER	1	40	825886	TERMINAL	3
11	123268	ROLLER, Throttle cam	1	41	510628	SLEEVE	1
12	123269	WASHER, Shift arm	1	42	173572	LEAD ASSY, Neutral start switch	1
13	123270	CAM, Neutral switch	1	43	303806	TUBING	1
14	123271	BUSHING, Throttle hub	1	44	308808	TERMINAL	1
15	909859	SPRING, Detent	1	*	982048	CABLE MOUNT HDW KIT	1
16	123273	SCREW, Control housing	3	45	303887	WASHER	2
17	123274	SCREW, Tray to housing	1	46	305650	COTTER PIN	2
18	123279	HANDLE, Side mount	1	47	323776	CLEVIS PIN, Snap-in cable	2
19	123281	PLATE, Neutral lock	1	51	302407	WASHER, Mounting screw	3
20	123531	KNOB, Lockout button	1	52	308545	SCREW, To housing	1
21	123535	KNOB, Trim switch	1	53	123495	BUSHING	1
22	313113	TERMINAL HOUSING	1	*	308808	TERMINAL	1
23	123533	SCREW, Knob to handle	2	54	900402	LOCKNUT, Mounting screw	3
24	123290	SCREW, Handle to shaft	1	55	173499	LOCKOUT BUTTON ASSEMBLY	1
25	123293	COVER, Handle	1	56	173542	SHIFT GEAR & ARMS ASSY	1
26	123443	SPRING, Neutral lock	1	57	†	OMC SNAP-IN OR OMC LONG-LIFE THROTTLE AND SHIFT CABLES	AR
27	123536	GROMMET, Trim switch	1				
28	123312	SCREW, Mounting flange	3				
29	123316	SCREW, Flange to boat	3				

* Not Shown † See Page 16

REMOTE CONTROL ASSEMBLY - BINNACLE MOUNT



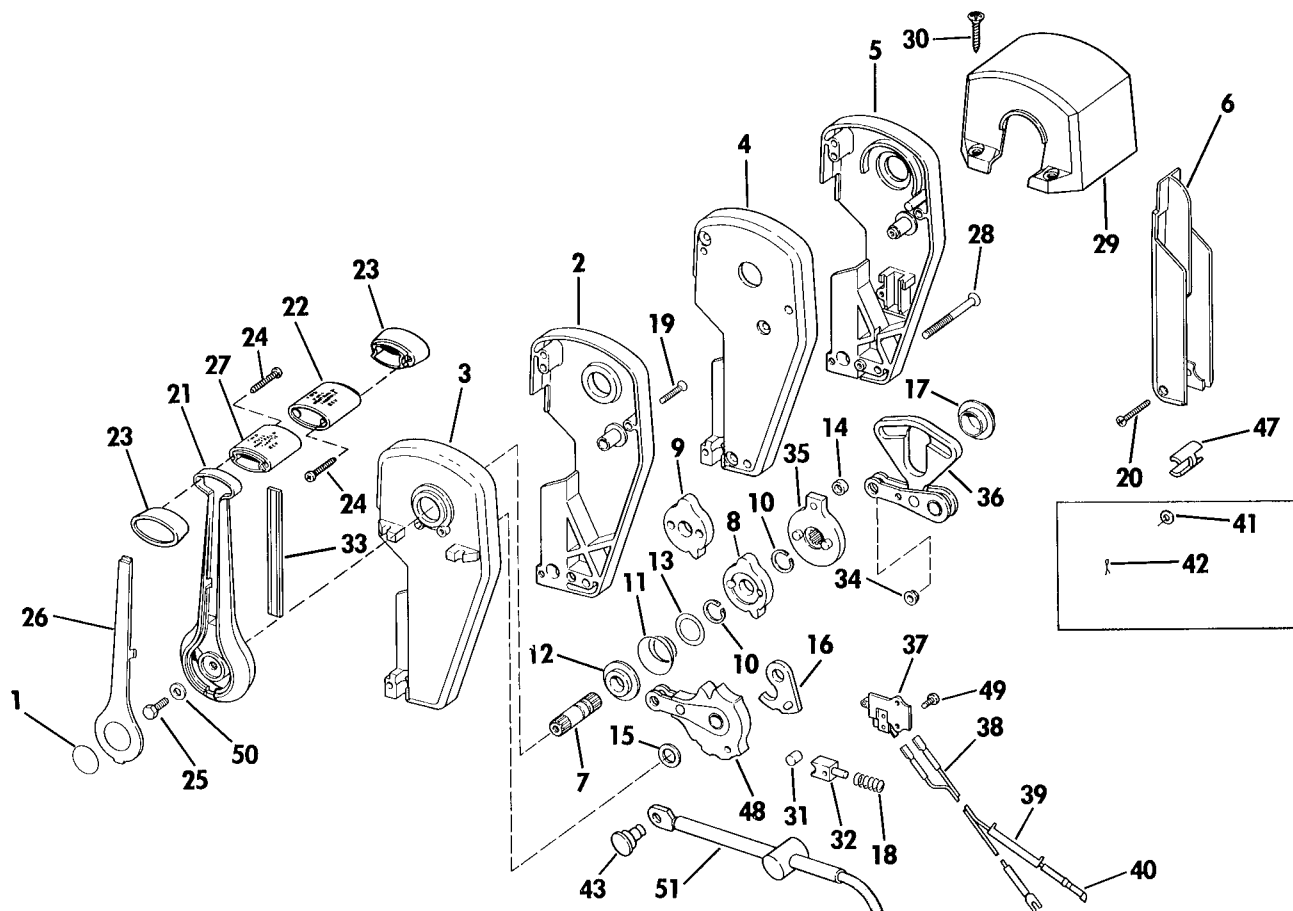
BQ108

863033

Ref. No.	P/N	Name of Part	Qty.	Ref. No.	P/N	Name of Part	Qty.
*	174283	REMOTE CONTROL ASSY - BNCL MT, Sgl lever w/trim	1	27	123322	SCREW, Control mounting	4
1	123315	APPLIQUE	1	28	308545	SCREW, Switch to housing	1
2	123246	HOUSING, Control	1	29	123324	RETAINER, Trim leads	1
3	123247	HOUSING, Control	1	30	123340	SCREW, Retainer	1
4	173598	TRAY	1	31	123341	ROLLER, Detent	1
5	123261	SHAFT, Remote control	1	32	123342	SHOE, Detent roller	1
6	123496	DRIVE GEAR, Shift	1	33	123343	TRIM INSERT	1
7	123264	RETAINING RING, Drive gear	2	34	123350	BUSHING	2
8	123265	SPRING, Drive gear	1	35	173571	THROTTLE HUB ASSEMBLY	1
9	123266	BUSHING, Shaft to housing	1	36	173478	THROTTLE CAM & ARM ASSY	1
10	123267	WASHER, Return spring	1	37	173480	NEUTRAL START SWITCH ASSY	1
11	123268	ROLLER, Throttle cam	1	38	174285	TRIM SWITCH & LEAD ASSY	1
12	123269	WASHER, Shift arm	1	39	825886	TERMINAL	3
13	123270	CAM, Neutral switch	1	40	510628	SLEEVE	1
14	123271	BUSHING, Throttle hub	1	41	173572	LEAD ASSY, Neutral start switch	1
15	909859	SPRING, Detent	1	42	303806	TUBING	1
16	123273	SCREW, Control housing	3	43	308808	TERMINAL	1
17	123274	SCREW, Tray to housing	1	*	982048	CABLE MOUNT HDW KIT	1
18	123278	HANDLE	1	44	303887	WASHER	2
19	123539	KNOB, Binnacle	1	45	305650	COTTER PIN	2
20	123535	KNOB, Trim switch	1	46	323776	CLEVIS PIN, Snap in cable	2
21	313113	TERMINAL HOUSING	1	50	901893	WASHER, Screw, handle	1
22	123533	SCREW, Knob to handle	2	51	173542	SHIFT GEAR & ARMS ASSY	1
23	123290	SCREW, Handle to shaft	1	*	308808	TERMINAL	1
24	123610	COVER, Handle	1	52	†	OMC SNAP-IN OR OMC LONG-LIFE THROTTLE AND SHIFT CABLES	AR
25	123536	GROMMET, Trim switch	1				
26	123320	COVER	1				

* Not Shown † See Page 16

REMOTE CONTROL ASSEMBLY - BINNACLE MOUNT DUAL LEVER DUAL ENGINE



BQ109

863035

Ref. No.	P/N	Name of Part	Qty.	Ref. No.	P/N	Name of Part	Qty.
*	982448	REMOTE CONTROL ASSY - BINNACLE MT , Dual lever	1	26	123292	COVER, Handle	2
1	123315	APPLIQUE	2	27	123540	KNOB, Binnacle, port	1
2	123245	HOUSING	1	28	123310	SCREW, Binnacle, assembly	3
3	123246	HOUSING	1	29	123321	COVER, Mechanism	1
4	123248	HOUSING	1	30	123322	SCREW, Control mounting	4
5	123249	HOUSING	1	31	123341	ROLLER, Detent	2
6	173598	TRAY, Control housing	2	32	123342	SHOE, Detent roller	2
7	123261	SHAFT, Remote control	2	33	123343	TRIM, Insert	2
8	123496	DRIVE GEAR, Starboard	1	34	123350	BUSHING	4
9	123497	DRIVE GEAR, Port	1	35	173571	THROTTLE HUB ASSEMBLY	2
10	123264	RETAINING RING	4	36	173478	THROTTLE CAM & ARMS ASSY	2
11	123265	SPRING, Drive gear return	2	37	173480	NEUTRAL START SWITCH	2
12	123266	BUSHING, Shaft to housing	2	38	173572	LEAD ASSEMBLY	2
13	123267	WASHER, Return spring	2	39	303806	TUBING	1
14	123268	ROLLER, Throttle cam	2	40	308808	TERMINAL	1
15	123269	WASHER, Shaft arm	2	*	982048	CABLE MTG HARDWARE KIT	2
16	123270	CAM, Neutral switch	2	41	303887	WASHER	2
17	123271	BUSHING, Throttle hub	2	42	305650	COTTER PIN	2
18	909859	SPRING, Detent	2	43	323776	CLEVIS PIN, Snap-in cable	2
19	123273	SCREW, Control housing	6	47	123439	SPACER, Control cable	1
20	123274	SCREW, Tray to housing	2	48	173542	SHIFT GEAR AND ARM ASSY	2
21	123278	HANDLE, Side mount	2	49	308545	SCREW	2
22	123539	KNOB, Binnacle, starboard	1	*	308808	TERMINAL	2
23	123532	END CAP, Knob port & starboard	2	50	901893	WASHER	2
24	123533	SCREW, Knob to handle	4	51	†	OMC SNAP-IN OR OMC LONG-LIFE THROTTLE AND SHIFT CABLES	AR
25	123290	SCREW, Handle to shaft	2				

* Not Shown † See Page 16

United States of America

OMC Parts & Accessories
P.O. Box 718
3225 N. Prairie Avenue
Beloit, Wisconsin 53511
608/364-3333

Canada

Outboard Marine Corporation of Canada, Ltd.
910 Monaghan Road
Peterborough, Ontario, Canada
K9J7B6 (postal code)
705/876-2699

Caribbean, Mexico, Central America, South America

Outboard Marine International, Inc
75 N.E 179th Street
Miami, Florida 33162 U S A
305/652-2311

Europe, Middle East, Africa

Outboard Marine Belgium, N V
Pathoekeweg 120
8000 Brugge, Belgium
050/31 51 87

Australia, New Zealand, Southwest Pacific

Outboard Marine Australia Pty Ltd
84 Canterbury Road
Bankstown, New South Wales
Australia, Sydney 70-0701

Bangladesh, Brunei, Burma, Guam, Hong Kong, India, Indonesia, Japan, Korea, Macau, Malaysia, Maldives, Micronesia, Pakistan, People's Republic of China, Philippines, Singapore, Sri Lanka, Taiwan, Thailand

Outboard Marine Asia, Ltd.
T Y.T.L 54
Tsing Yi Island, New Territories
Hong Kong



A PRODUCT GROUP OF OUTBOARD MARINE CORPORATION

3145 CENTRAL AVENUE ■ WAUKEGAN, ILLINOIS ■ 60085