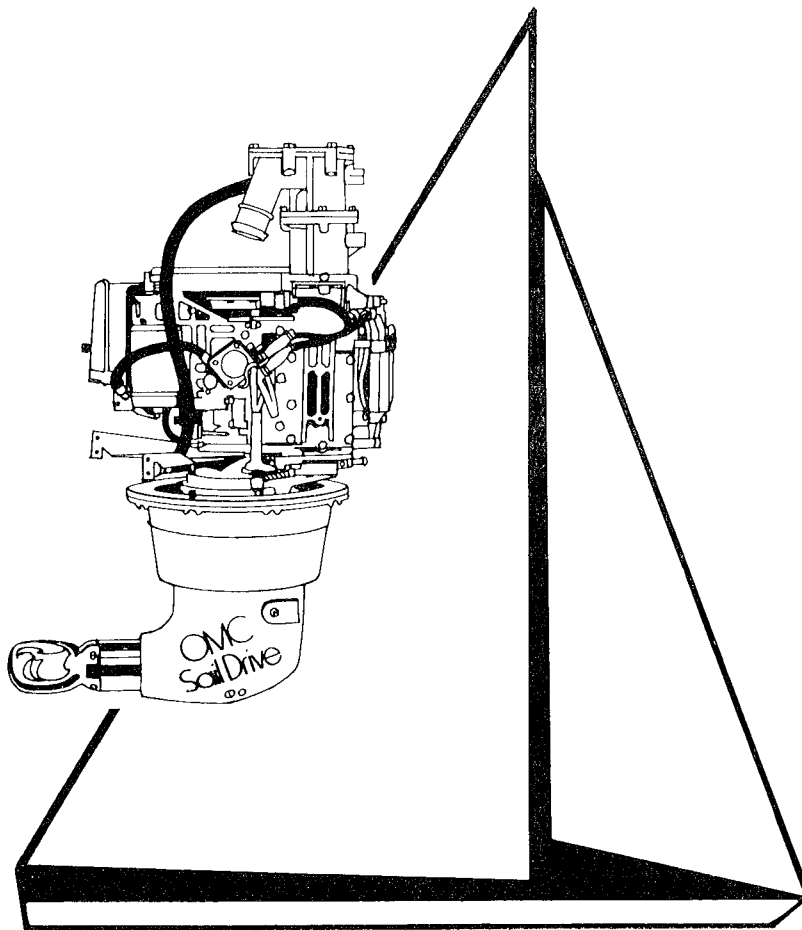


# OMC<sup>®</sup> Sail Drive

## Parts Catalog




**Model  
15S14M**

Final Edition



#### SAFETY WARNING

DO NOT SUBSTITUTE AUTOMOTIVE PARTS OR OTHER STANDARD OUTBOARD MOTOR PARTS FOR THE FOLLOWING MARINE COMPONENTS STARTER, ALTERNATOR, VOLTAGE REGULATOR, DISTRIBUTOR AND RELATED IGNITION PARTS, SPARK PLUG LEADS, SOLENOIDS, CARBURETOR (AND RELATED PARTS) OR FUEL PUMP THESE COMPONENTS HAVE BEEN SPECIFICALLY DESIGNED NOT TO EMIT FUEL VAPORS OR TO CAUSE IGNITION OF FUEL VAPORS IN THE BILGE TO PREVENT AN ACCIDENT DO NOT SUBSTITUTE AUTOMOTIVE OR STANDARD OUTBOARD MOTOR COMPONENTS OR PARTS

PARTS DESIGNATED WITH A  SAFETY SYMBOL MUST BE REPLACED WITH GENUINE OMC PARTS OR EQUIVALENT PARTS WHICH MEET ALL CURRENT U S COAST GUARD SAFETY REGULATIONS AND ABYC-BIA AND OTHER APPLICABLE STANDARDS THIS IS NECESSARY TO INSURE THE COMPLETED ASSEMBLY WILL RETAIN ITS EXTERNAL IGNITION PROTECTION FEATURE

#### Note

THIS PARTS CATALOG SHOULD NOT BE USED IN LIEU OF A SERVICE MANUAL ORDER YOUR SERVICE MANUAL FROM

OMC PARTS & ACCESSORIES  
LITERATURE DEPARTMENT  
P O BOX 718  
BELOIT, WISCONSIN 53511

SUPPLY ENGINE MODEL AND SERIAL NUMBER WHEN REQUESTING A SERVICE MANUAL

OMC Drive Systems, a Product Group of Outboard Marine Corporation, reserves the right to make changes at any time, without notice, in specifications and models and also to discontinue models The right is also reserved to change any specifications or parts at any time without incurring any obligation to equip same on models manufactured prior to date of such change

While the information contained in this Parts Catalog is based on the latest product information available at the time of publication, the continuing accuracy of this Parts Catalog cannot be guaranteed

All illustrations used in this Parts Catalog may not depict actual models or equipment and are intended as representative views for reference only

PART NUMBERS NEW FOR THIS EDITION CAN BE IDENTIFIED BY THE BOX SYMBOL ■ IN NAME OF PART COLUMN

INDENTED PART NAMES INDICATE THAT THESE PARTS ARE INCLUDED IN PRECEDING ASSEMBY

©OUTBOARD MARINE CORPORATION 1983 ALL RIGHTS RESERVED

## INDEX

Alternator Kit .....	18
Carburetor .....	8, 9
Crankshaft & Piston .....	11
Cylinder & Crankcase .....	12, 13
Electric Starter & Solenoid .....	5
Exhaust Manifold Extension Kit .....	19
Fuel Pump .....	7
Gearcase .....	16, 17
Ignition .....	4
Instrument & Cable .....	6
Intake Manifold ... ..	10
Intermediate Housing .....	14, 15
Primer Pump Kit .....	7
Tachometer Kit ... ..	19



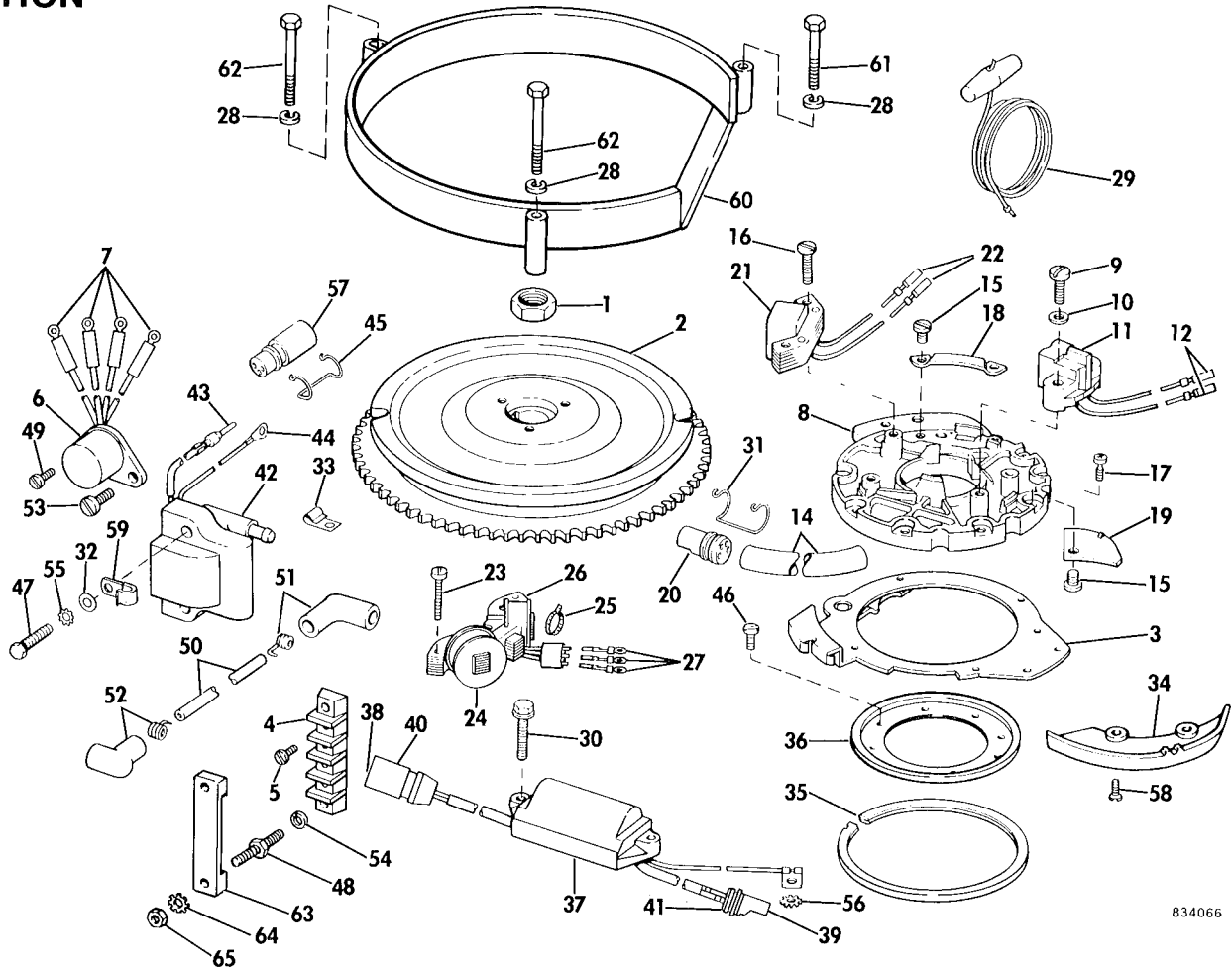
### SAFETY WARNING

### Note

WHEN REPLACEMENT PARTS ARE REQUIRED, USE GENUINE OMC PARTS OR PARTS WITH EQUIVALENT CHARACTERISTICS INCLUDING TYPE, STRENGTH, AND MATERIAL FAILURE TO DO SO MAY RESULT IN PRODUCT MALFUNCTION AND POSSIBLE INJURY TO THE OPERATOR AND/OR PASSENGERS

**SPECIFY MODEL AND SERIAL NUMBER OF MOTOR WHEN ORDERING PARTS  
ORDER ALL PARTS FROM YOUR LOCAL AUTHORIZED DEALER**

# IGNITION



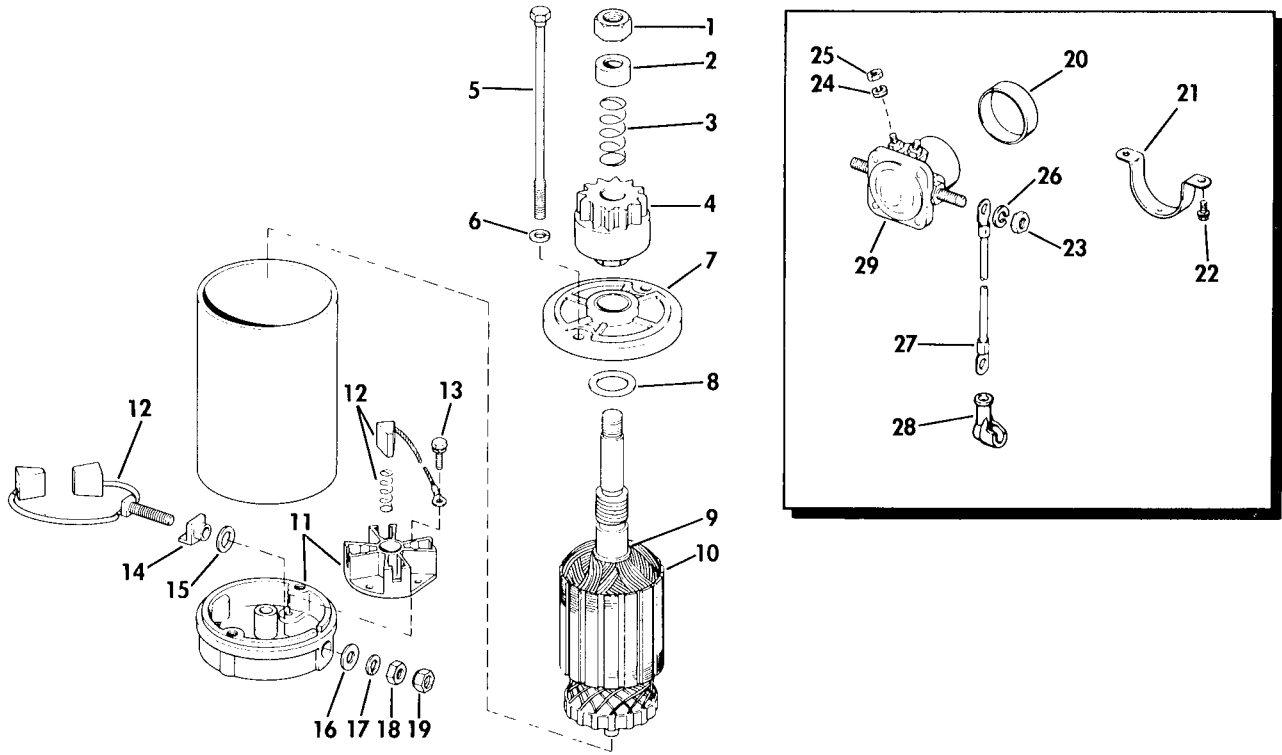
834066

ZD0000

REF NO	PART NO	NAME OF PART	QTY PER ASSY	REF NO	PART NO	NAME OF PART	QTY PER ASSY
1	321341	NUT, Crankshaft	1	34	322979	CAM, Throttle control	1
2	582495	FLYWHEEL ASSEMBLY	1	35	322435	BEARING, Plate to support	1
3	388261	RETAINER & LINK ASSY	1	36	322102	SUPPORT	1
4	511271	TERMINAL BLOCK	1	37	582453	POWER PACK ASSY.	1
5	315003	SCREW, Terminal	4	38	511469	PIN	4
6	581778	RECTIFIER ASSEMBLY	1	39	581656	SOCKET	3
7	511733	RING TERMINAL	4	40	511449	CONNECTOR	1
*	582411	PLATE ASSY COMPLETE	1	41	511990	CONNECTOR	1
8	582417	PLATE & SLEEVE ASSY.	1	42	582106	COIL ASSY	2
9	307175	SCREW, Sensor to plate	2	43	511469	PIN, Contact	1
10	306547	WASHER, Sensor screw	2	44	510818	TERMINAL	1
11	581655	SENSOR ASSY	1	45	322548	RETAINER, Three terminal	1
12	581656	SOCKET ASSY	2	46	319547	SCREW, Support to cylinder	4
14	511482	TUBING	1	47	328725	SCREW, Coil mounting	4
15	303212	SCREW, Clamp & cover	3	48	322164	SCREW, Terminal block mtg	2
16	309545	SCREW, Coil assy	2	49	314576	SCREW, Rectifier mounting	1
17	511460	SCREW, Retainer	5	50	582365	SPARK PLUG LEAD	2
18	511458	CLAMP, Leads	1	51	581027	COVER & TERMINAL	1
19	511459	COVER, Leads	1	52	580339	COVER & TERMINAL	1
20	511991	CONNECTOR, Leads	1	53	552421	SCREW, Rectifier to bracket	1
21	581670	COIL & LAMINATION ASSY	1	54	120052	LOCK WASHER, Terminal block	1
22	581656	SOCKET ASSY	2	55	303480	LOCKWASHER	2
23	309545	SCREW, Stator mounting	3	56	306488	LOCKWASHER, Power pack ground	3
24	582412	STATOR ASSY	1	57	511465	CONNECTOR	1
25	311601	SLEEVE, Leads	1	58	320468	SCREW, Throttle cam	2
26	318322	TIE STRAP	1	59	309041	CLAMP, Coil leads	1
27	511733	TERMINAL	3	60	388567	FLYWHEEL GUARD	1
28	306396	LOCKWASHER, Guard screw	3	61	306493	SCREW, Guard	2
29	378347	EMERGENCY STARTER ROPE	1	62	306832	SCREW, Guard	1
30	328726	SCREW, Power pack	2	63	322166	COVER, Terminal block	1
31	322549	RETAINER, Four terminal	1	64	303916	LOCKWASHER, Cover	2
32	304051	WASHER, Ignition coil mounting	3	65	204046	NUT, Terminal block cover	2
33	310439	CLAMP, Connector	1				

\* Not Shown

# ELECTRIC STARTER & SOLENOID



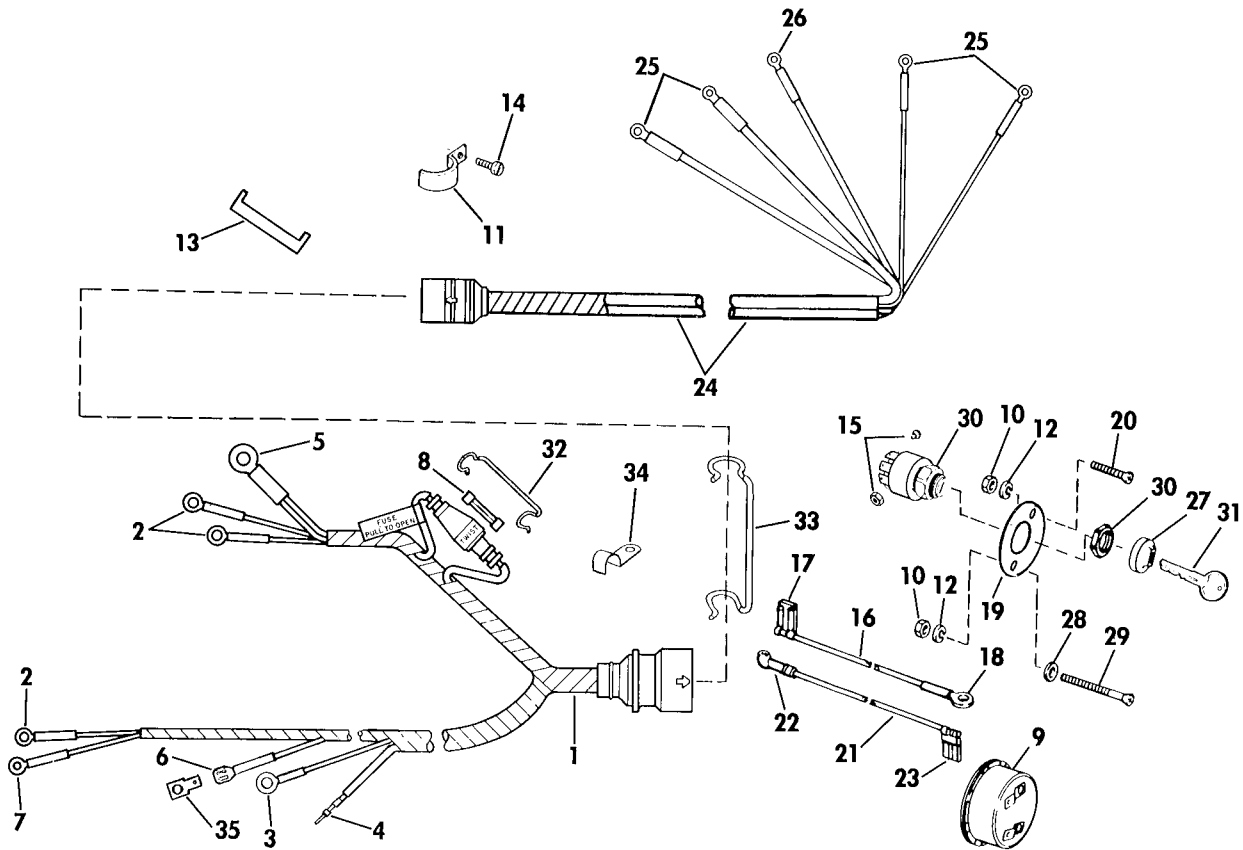
74207

ZD0001

REF NO	PART NO	NAME OF PART	QTY PER ASSY	REF NO	PART NO	NAME OF PART	QTY PER ASSY
△ *	388959	STARTER MOTOR ASSY	1	15	316748	WASHER, Insulation	1
1	316740	NUT, Gear stop spacer	1	16	316749	WASHER, Plain	1
2	316741	SPACER, Stop gear	1	17	316744	LOCKWASHER	1
3	316742	SPRING, Anti drift	1	18	321642	NUT, Input stud	1
4	321648	DRIVE ASSY	1	19	321641	LOCKNUT, Input stud	1
5	387939	THRU BOLT PACKAGE	1	20	311217	SLEEVE, Solenoid	1
6	321646	LOCKWASHER	2	21	311218	CLAMP, Solenoid mtg.	1
7	386639	CAP ASSY.	1	22	312889	SCREW, Solenoid mount	2
8	316750	WASHER, Thrust	1	23	311349	NUT, Terminal	4
9	321645	SNAP RING, Thrust	1	24	120052	LOCKWASHER, Terminal	2
10	387766	ARMATURE	1	25	306556	NUT, Terminal	2
11	387768	CAP ASSY., Commutator	1	26	306325	LOCKWASHER, Terminal	3
12	385952	BRUSH AND SPRING SET	1	△ 27	388246	CABLE AND COVER ASSY.	1
13	321643	BOLT	2	28	322815	COVER	2
14	316743	BUSHING, Insulation	1	△ 29	389398	SOLENOID ASSY.	1

\* Not Shown

# INSTRUMENT & CABLE



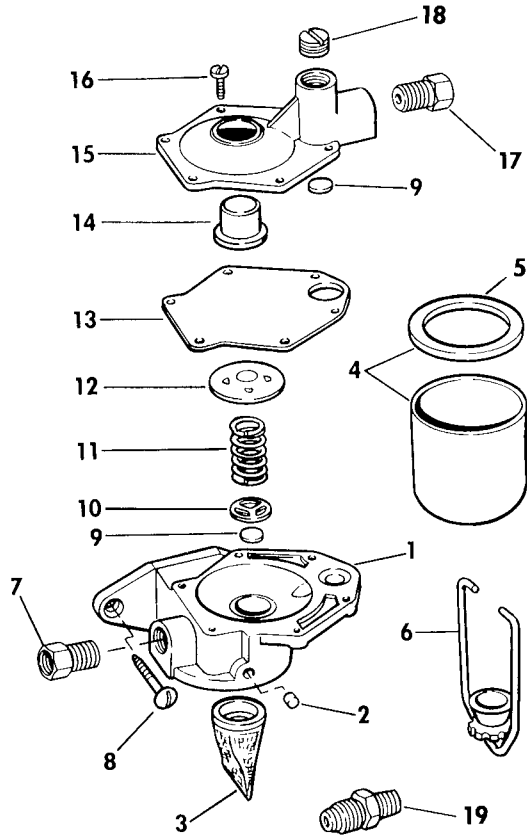
804250

REF NO	PART NO	NAME OF PART	QTY PER ASSY	REF NO	PART NO	NAME OF PART	QTY PER ASSY
△ 1	389399	CABLE ASSY. ....	1	18	510780	TERMINAL, Ring .....	1
2	204036	RING TERMINAL .....	3	19	323272	SWITCH PLATE .....	1
3	308294	RING TERMINAL .....	1	20	122481	SCREW, Dash panel .....	1
4	511469	PIN, Contact .....	1	21	581807	LEAD ASSY., Switch to horn .....	1
5	204053	RING TERMINAL .....	1	22	308808	TERMINAL .....	1
6	204034	TERMINAL .....	1	23	309437	TERMINAL .....	1
7	510780	TERMINAL .....	1	△ 24	389495	INSTRUMENT CABLE ASSY .....	1
8	510884	FUSE, 20 amp .....	1	25	510780	TERMINAL, Ring .....	4
△ *	390044	INSTRUMENT & CABLE ASSY. ....	1	26	204039	TERMINAL, Ring .....	1
9	389396	HORN ASSY. ....	1	27	322176	PUSH KNOB, Key .....	1
10	308644	NUT, Panel to horn bracket .....	6	28	323287	WASHER .....	1
11	304494	CLAMP, Cable to boat .....	4	29	323288	SCREW, Switch plate .....	2
12	321447	LOCKWASHER .....	6	△ 30	390045	SWITCH, Ignition .....	1
13	303806	TUBING .....	2	31	322693	KEY, Ignition .....	2
14	305009	SCREW, Clamp to boat .....	4	32	321077	RETAINER, Fuse holder .....	2
15	306559	SCREW, Starter switch .....	6	33	315182	CLAMP, Cable .....	1
16	581112	LEAD ASSY. ....	1	34	326365	CLIP .....	1
17	309437	TERMINAL .....	1	35	121689	ADAPTER, Terminal .....	1

\* Not Shown

# PRIMER PUMP KIT

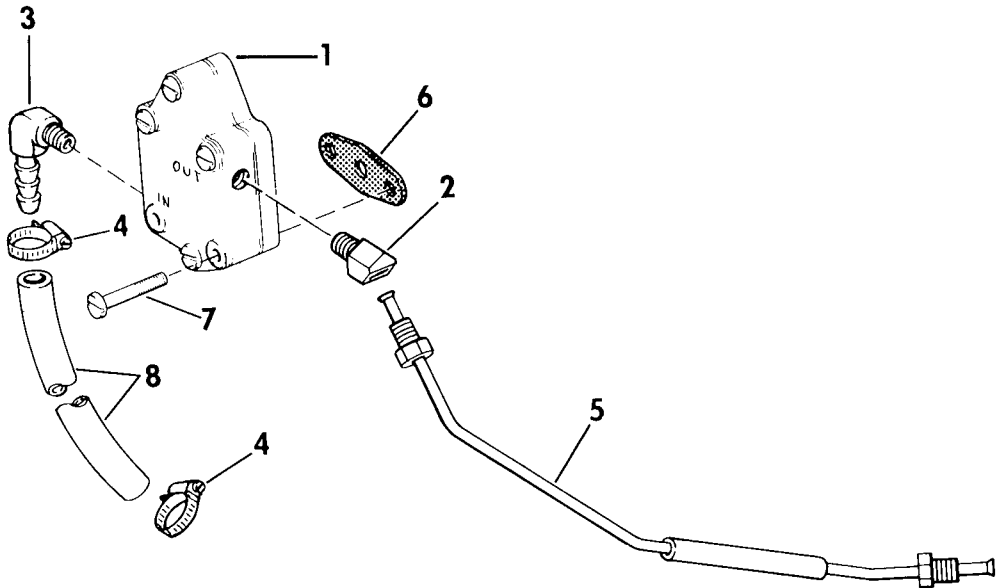
ZD0004



REF NO	PART NO	NAME OF PART	QTY PER ASSY
△ 1	389687	PRIMER PUMP KIT ASSY	1
2	305243	PLUG, Core	1
3	305185	FILTER	1
△ 4	388480	BOWL AND SEAL	1
5	303622	GASKET	1
6	389686	THUMB NUT & YOKE ASSY.	1
7	908923	FITTING, Outlet	1
8	303675	SCREW, Wood	2
9	303614	VALVE, Disc	2
10	303420	RETAINER, Valve	1
11	301803	SPRING	1
12	305714	SUPPORT	1
13	305716	DIAPHRAGM	1
14	305713	BUTTON, Push	1
15	305717	HOUSING	1
16	306431	SCREW	6
17	909261	FITTING, Inlet	1
18	324076	PLUG, Pipe	1
19	173275	ANTISYPHON VALVE	1

74215

# FUEL PUMP



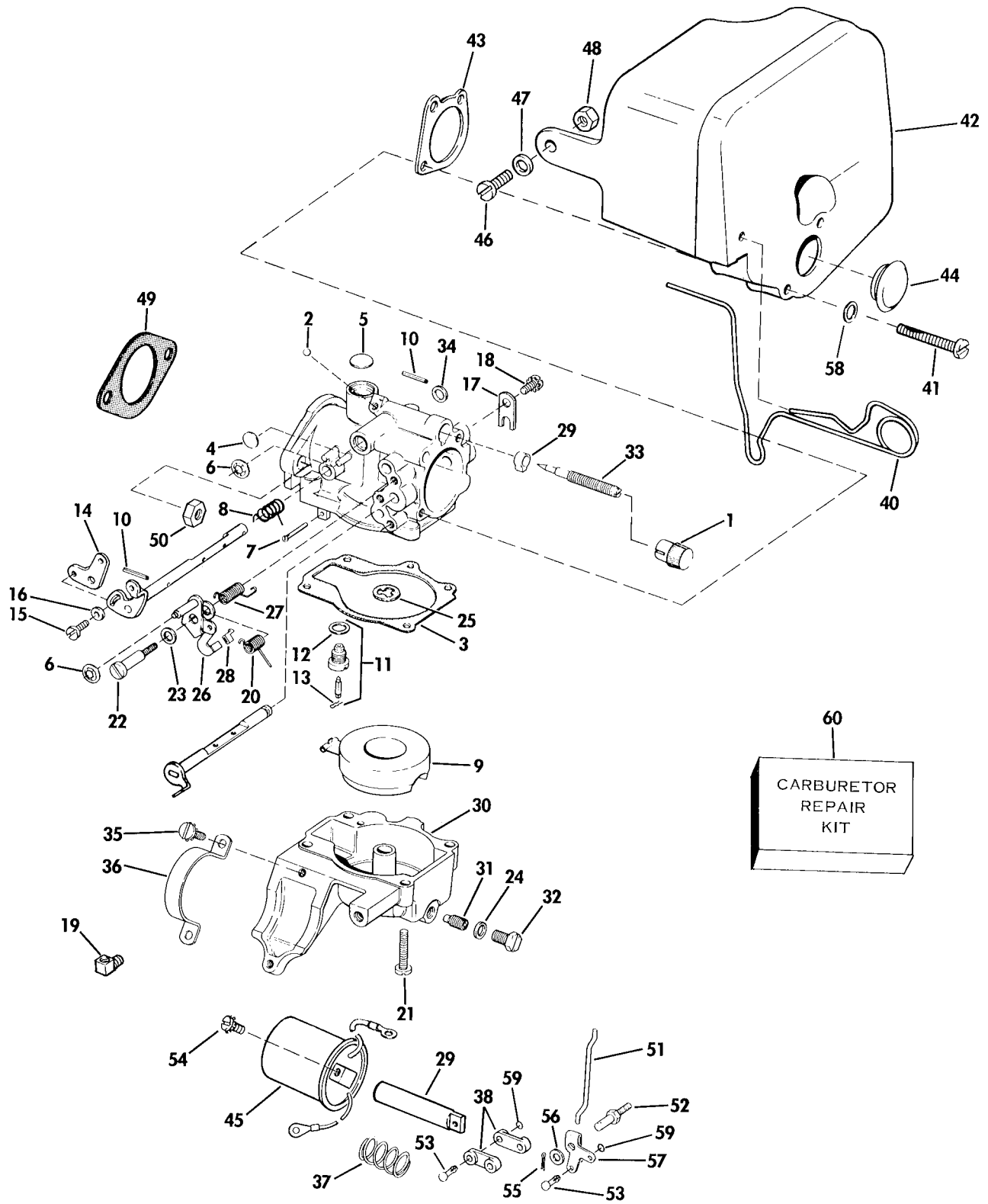
ZD0005

REF NO	PART NO	NAME OF PART	QTY PER ASSY
△ 1	388527	FUEL PUMP ASSEMBLY	1
2	908993	ELBOW, Outlet	1
3	322706	ELBOW, Inlet	1
4	316832	CLAMP, Hose	2
△ 5	388592	FUEL LINE ASSY	1
6	303615	GASKET, Pump mounting	1
7	312330	SCREW, Pump mounting	2
**8	322885	HOSE, Pump nipple	1

\*\* Cut From 25' Roll 322725

74206

# CARBURETOR





# CARBURETOR

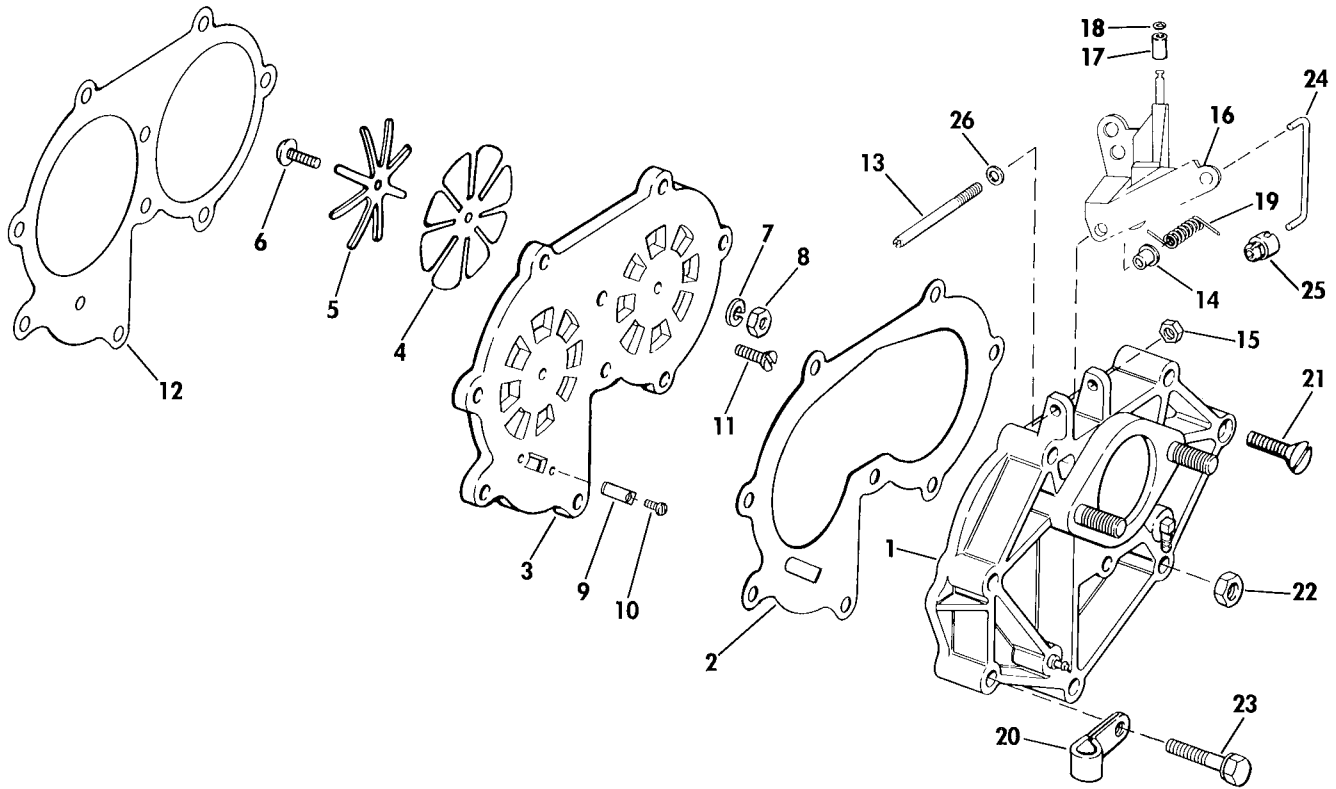
ZD0003

REF NO	PART NO	NAME OF PART	QTY PER ASSY	REF NO	PART NO	NAME OF PART	QTY PER ASSY
△ *	389280	CARBURETOR ASSY	1	30	322645	FLOAT CHAMBER	1
1	328063	· KNOB, Adjustment	1	31	319831	· ORIFICE PLUG	1
2	304201	LEAD SHOT	1	32	307832	SCREW PLUG	1
†3	316331	GASKET, Float bowl	1	33	388885	NEEDLE VALVE, Slow speed	1
†4	307542	· CORE PLUG	2	34	307596	· WASHER, Throttle shaft	1
†5	202310	CORE PLUG	1	35	329594	SCREW, Yoke to bracket	2
†6	313973	RETAINER	2	36	328907	CLAMP, Solenoid	1
†7	302661	HINGE PIN, Float	1	37	327732	SPRING, Plunger	1
8	313357	SPRING, Throttle return	1	38	322712	LINK, Choke	2
†9	382363	FLOAT ASSY	1	39	327731	PLUNGER SOLENOID	1
10	303261	ROLL PIN, Shaft	2	40	322786	KNOB, Choke	1
†11	678882	· FLOAT VALVE & SEAT ASSY.	1	41	322784	SCREW, Silencer to carb	3
†12	301996	GASKET	1	△ 42	389081	AIR SILENCER	1
13	603145	· SPRING CLIP	1	43	323338	GASKET, Carb to silencer	1
14	320287	ADJUSTMENT LEVER	1	44	316074	PLUG, Air silencer	1
15	305452	SCREW, Throttle lever	1	45	392570	SOLENOID	1
16	303715	WASHER	1	46	309483	SCREW, Air silencer	1
17	314906	CLIP, Choke shaft	1	47	306561	WASHER, Air silencer	1
18	311516	SCREW, Clip	1	48	307999	NUT, Air silencer	1
19	122510	· ELBOW, Fuel line	1	†49	325092	GASKET, Carb to manifold	1
20	318445	· SPRING, Choke override	1	50	316355	NUT, Carb mounting	2
21	310302	SCREW, Float bowl	4	51	327714	LINK	1
22	309720	SHOULDER SCREW	1	52	303739	PIVOT PIN	1
23	323693	· WASHER, Bellcrank screw	1	53	322340	PIN, Solenoid shaft	2
†24	303630	WASHER, Screw plug	1	54	319603	SCREW, Choke lead	1
†25	316332	· GASKET, Nozzle	1	55	306463	COTTER PIN	1
26	388494	· BELLCRANK, Choke	1	56	307596	WASHER	1
27	315239	· SPRING, Choke return	1	57	327687	BELLCRANK	1
28	318536	SLEEVE	1	58	306015	WASHER	3
29	315232	RETAINER, Needle valve	1	59	307529	RETAINING RING	2
				60	392061	CARBURETOR REPAIR KIT	1

\* Not Shown

† Also Available in Carburetor Repair Kit

# INTAKE MANIFOLD



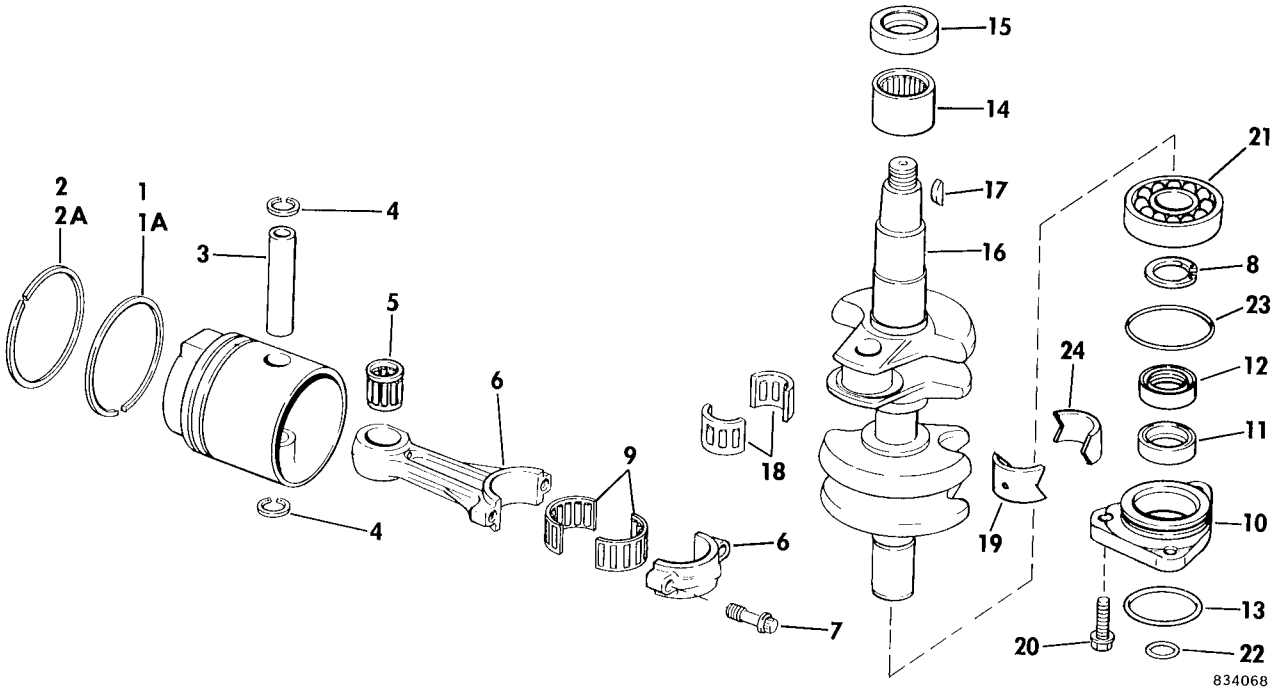
804252

ZD0006

REF NO	PART NO	NAME OF PART	QTY PER ASSY	REF NO	PART NO	NAME OF PART	QTY PER ASSY
1	388584	MANIFOLD, Intake ...	1	14	315101	BUSHING, Follower pin ...	2
2	321573	GASKET, Manifold ...	1	15	304753	NUT, Follower pin ...	1
*	389768	LEAF PLATE ASSEMBLY ...	1	16	390765	CAM FOLLOWER ...	1
3	324318	PLATE, Leaf ...	1	17	305232	ROLLER, Cam follower ...	1
4	320154	LEAF VALVE ...	2	18	307529	RETAINING RING, Roller ...	1
5	325026	STOP, Leaf ...	2	19	320157	SPRING, Cam follower ...	1
6	301858	SCREW, Leaf to plate ...	2	20	321084	CLAMP, Fuel line ...	1
7	306546	LOCKWASHER, Leaf screw ...	2	21	304294	SCREW, Manifold to crankcase ...	1
8	306556	NUT, Leaf screw ...	2	22	306338	NUT, Manifold to crankcase ...	5
9	309466	VALVE, Drain ...	1	23	303459	SCREW, Manifold to crankcase ...	2
10	303761	SCREW, Valve ...	1	24	320150	LINK, Carb to cam follower ...	1
11	307609	SCREW, Plate to crankcase ...	1	25	313329	RETAINER, Link throttle lever ...	2
12	321479	GASKET, Plate to crankcase ...	1	26	551953	WASHER ...	3
13	320318	PIN, Cam follower ...	1				

\* Not Shown

# CRANKSHAFT & PISTON

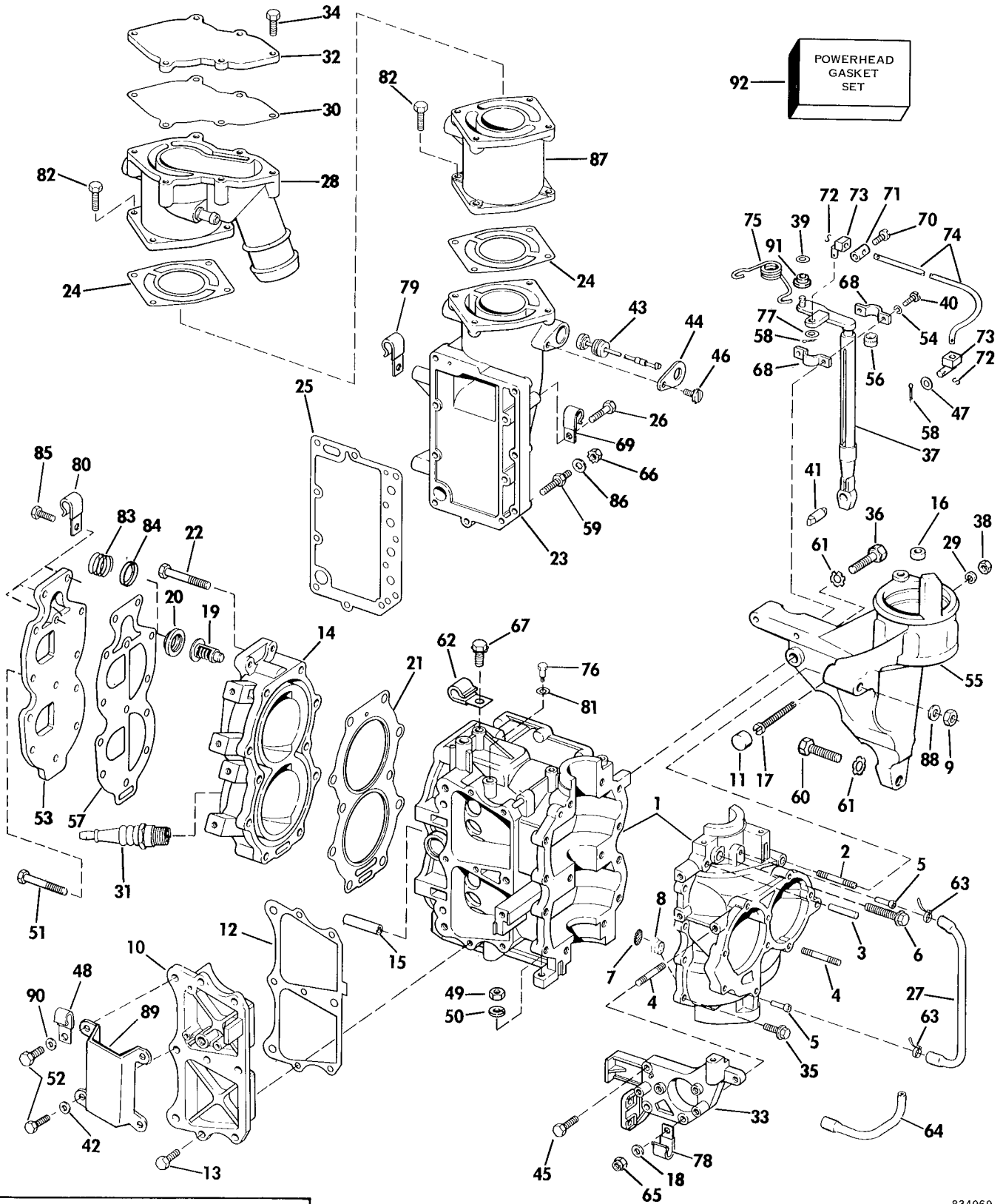


834068

ZD0007

REF NO	PART NO	NAME OF PART	QTY PER ASSY	REF NO	PART NO	NAME OF PART	QTY PER ASSY
1	389155	PISTON, Standard . . . . .	2	13	322224	O-RING . . . . .	1
2	385807	RING SET, Standard . . . . .	2	14	386481	ROLLER BEARING ASSY. . . . .	1
1A	389163	PISTON, .030 O.S. . . . .	2	15	321504	SEAL . . . . .	1
2A	385809	RING SET, .030 O.S . . . . .	1	16	388878	CRANKSHAFT . . . . .	1
3	553742	WRIST PIN . . . . .	2	17	307480	KEY, Crankshaft . . . . .	1
4	302577	RETAINING RING . . . . .	4	18	389613	RETAINER & NEEDLES, Ctr . . . . .	2
5	378251	BEARING, Wrist pin . . . . .	2	19	322916	BEARING LINER, Ctr. main, cylinder . . . . .	1
6	387465	CONNECTING ROD ASSY. . . . .	2	20	321527	SCREW . . . . .	3
7	308186	SCREW, Rod cap . . . . .	2	21	386482	ROLLER BEARING ASSY . . . . .	1
8	305160	RETAINING RING . . . . .	1	22	326649	O-RING . . . . .	1
9	388344	RETAINER AND NEEDLE ASSY. . . . .	2	23	319662	SEAL . . . . .	1
10	388285	CRANKCASE HEAD & SEAL . . . . .	1	24	322915	BEARING LINER, Ctr main, crankcase . . . . .	1
11	321467	SEAL . . . . .	1				
12	319664	SEAL . . . . .	1				

# CYLINDER & CRANKCASE



ES NO	PAINT	SPRAY	1 QT CAN
209	PRIMER	172757	376015
391	WHITE	172748	385300
1110	BLUE	172836	N/A

834069

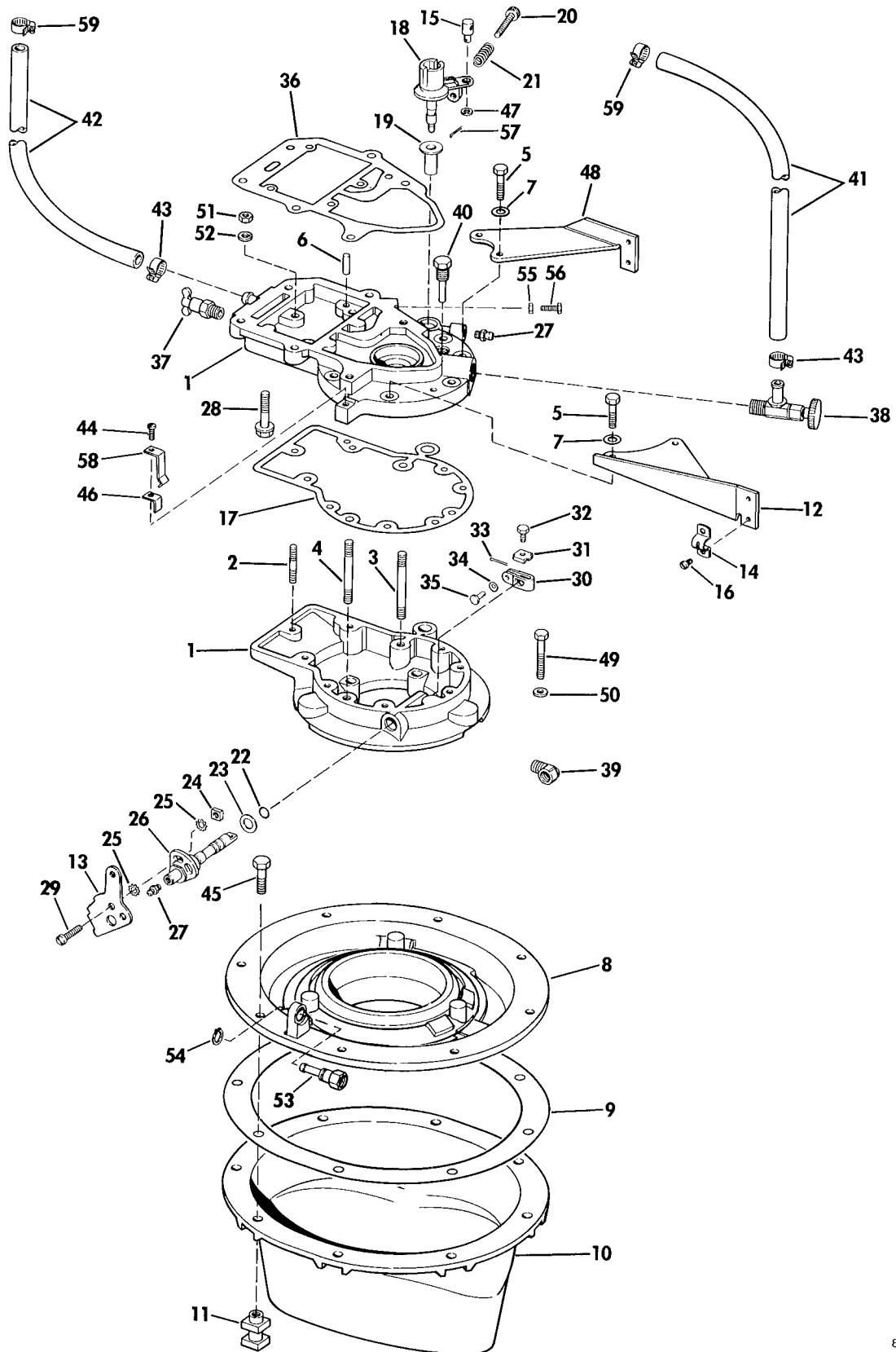
# CYLINDER & CRANKCASE

ZD0008

REF NO	PART NO	NAME OF PART	QTY PER ASSY	REF NO	PART NO	NAME OF PART	QTY PER ASSY
1	388832	CYLINDER & CRANKCASE ASSY. ....	1	45	302030	SCREW, Bracket .....	1
2	308354	STUD, Starter bracket .....	1	46	303311	SCREW, Switch cover .....	1
3	305070	TAPER PIN .....	1	47	551953	WASHER, Pivot pin .....	1
4	308353	STUD .....	7	48	310947	CLAMP, Motor cable to cover .....	1
5	303423	NIPPLE, Oil hose .....	2	49	306422	NUT, Powerhead to hsg stud .....	2
6	318622	SCREW, Cyl to crankcase .....	6	50	311388	LOCKWASHER .....	2
7	305344	SCREEN .....	1	51	300646	SCREW, Cyl. head cover .....	10
8	385111	CHECK VALVE ASSY. ....	1	52	306450	SCREW, By-pass cover .....	3
9	308355	NUT, Starter bracket ...	1	53	323583	COVER, Cylinder head .....	1
10	322848	BY-PASS COVER ASSY. ..	1	54	120052	LOCKWASHER .....	2
11	314416	BUMPER, Spark, adj. screw	1	55	327730	BRACKET, Port .....	1
12	319661	GASKET, By-pass cover ..	1	56	320524	BEARING, Control lever .....	1
13	300646	SCREW, By-pass cover ...	6	57	319665	GASKET, Water cover ...	1
14	323929	CYLINDER HEAD .....	1	58	303049	COTTER PIN .....	2
15	318357	WATER DEFLECTOR .....	2	59	311344	BOLT, Instrument cable ground	1
16	304847	SEAL, Starter to bracket ...	2	60	306418	SCREW, Starter bracket .....	1
17	317615	SCREW, Spark adj .....	1	61	306396	LOCKWASHER .....	2
18	306482	WASHER, Bracket .....	2	62	261598	CLAMP, Connector .....	1
19	378065	THERMOSTAT .....	1	63	320107	CLAMP, Hose .....	4
20	323582	SEAL, Thermostat .....	1	64	322978	HOSE, Manf. to c-case, lower	1
21	319633	GASKET, Cylinder head ..	1	65	308355	NUT, Bracket .....	2
22	305027	SCREW, Cylinder head .....	10	66	316659	NUT, Cable ground .....	1
23	388195	MANIFOLD & NIPPLE, Lower	1	67	308936	SCREW, Clamp .....	1
24	322278	GASKET, Manifold .....	2	68	320523	BEARING CLAMP .....	2
25	319578	GASKET, Exhaust cover ...	1	69	309322	CLAMP .....	2
26	306778	SCREW, Exhaust manifold to cylinder, 1-3/8" .....	9	70	304221	SCREW .....	1
26	316907	SCREW, Exhaust manifold to cylinder, 2-3/4" .....	1	71	304222	COLLAR .....	1
27	322977	HOSE, Manifold to crankcase	1	72	307565	PIN, Rod, pivot pin .....	2
28	388205	MANIFOLD & NIPPLE, Upper	1	73	320786	PIVOT PIN .....	2
29	306396	LOCKWASHER, Spark adj ..	1	74	320156	ROD, Throttle control .....	1
30	322279	GASKET, Manifold to cover	1	75	321721	SPRING .....	1
†31	389131	SPARK PLUG, Champion L81Y	2	76	315092	SCREW, Lockout lever boss	1
32	322168	COVER, Upper manifold .....	1	77	305831	WASHER, Pivot pin .....	1
33	323791	BRACKET, Starboard .....	1	78	310441	CLAMP .....	1
34	300646	SCREW, Cover to manifold ...	6	79	311339	CLAMP .....	1
35	314979	SCREW, Cylinder to crankcase	8	80	310439	CLAMP, Connector .....	1
36	306778	SCREW, Starter bracket .....	1	81	310540	WASHER, Lever boss .....	1
37	386464	CONTROL LEVER & PIN .....	1	82	307604	SCREW .....	8
38	304753	NUT, Spark adj. ....	1	83	328051	SPRING, Pressure relief .....	1
39	305831	WASHER .....	1	84	324314	RETAINER, Thermostat seal	1
40	510338	SCREW, Bearing clamp .....	2	85	308742	SCREW, Cover .....	3
41	304155	PIN, Control lever .....	1	86	306488	LOCKWASHER .....	1
42	306453	WASHER .....	2	87	322180	EXTENSION, Manifold ...	1
43	386686	TEMPERATURE SWITCH .....	1	88	306482	WASHER, Starter mtg. bracket ..	1
44	322300	COVER, Temperature switch ..	1	△ 89	323944	HEAT SHIELD .....	1
				90	306407	WASHER .....	2
				91	307841	BUSHING, Control lever	1
				✕ 92	389078	POWERHEAD GASKET SET <i>N/A</i>	1

† Set Gap at 045

# INTERMEDIATE HOUSING



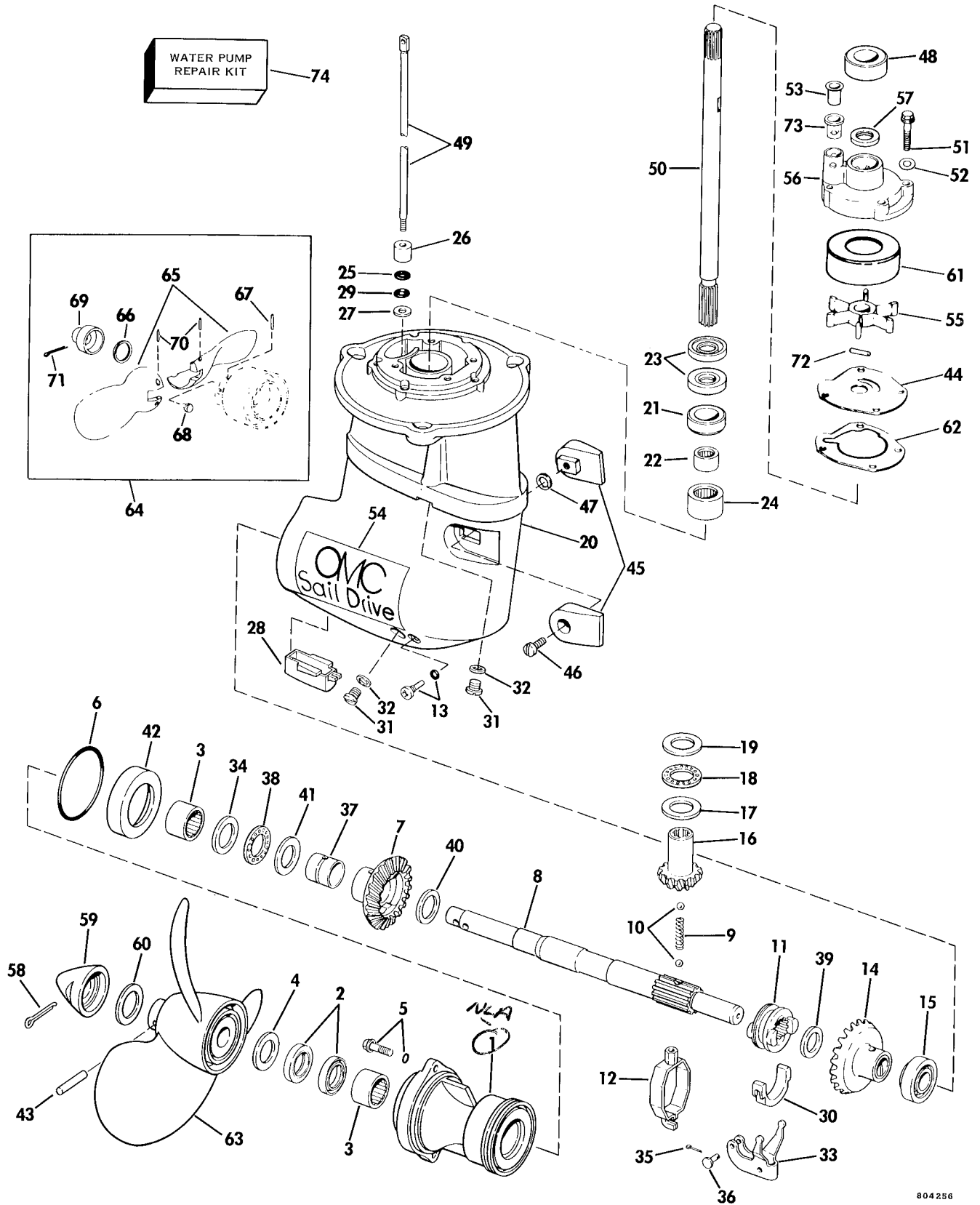
834070

# INTERMEDIATE HOUSING

ZD0009

REF NO	PART NO	NAME OF PART	QTY PER ASSY	REF NO	PART NO	NAME OF PART	QTY PER ASSY
1	389451	ADAPTER & INTERMEDIATE HOUSING ASSY. ....	1	30	322092	LEVER, Shift rod .....	1
2	313942	STUD, Hsg. to adapter, 1-1/2" long .....	1	31	319537	CLIP, Shift rod lever .....	1
3	322283	STUD, Hsg to adapter & powerhead, 2-3/4" long .....	1	32	321532	SCREW, Lever clip .....	1
4	908272	STUD, Hsg to adapter & powerhead, 2-1/2" long .....	1	33	306376	COTTER PIN, Shift rod to lever ..	1
5	324474	SCREW, Adapter to intermediate housing .....	7	34	304380	BOW WASHER, Shift rod to lever ..	1
6	318026	DOWEL .....	2	35	319541	PIN, Shift rod to lever .....	1
7	302401	WASHER, Bracket .....	4	36	319710	GASKET, Adapter to powerhead ..	1
8	393162	MOUNT PLATE & SEAL ASSY .....	1	37	379957	PETCOCK ASSY , Water drain (fwd ) .....	1
9	322242	SEAL, Plate to motor mount ..	1	38	388239	SHUT-OFF VALVE, Adapter .. ...	1
10	388409	MOTOR MOUNT ASSY. ....	1	△ 39	310924	FITTING, Fuel inlet .....	1
11	322304	NUT, Mount plate to motor mount	8	40	388238	PLUG & ANODE, Adapter .....	1
12	322255	SUPPORT, Shift cable .....	1	41	322223	HOSE, Shut-off valve to exhaust manifold, upper .....	1
13	322225	SHIFT LEVER .....	1	42	322222	HOSE, Adapter nipple to exhaust manifold, lower .....	1
14	322557	CLAMP, Cable .....	2	43	316832	CLAMP, Water hose .....	2
15	322558	CONNECTOR .....	2	44	306478	SCREW ... ..	1
16	304904	SCREW, Clamp to support ..	4	45	308429	SCREW, Mount plate to motor mount .....	8
17	322281	GASKET, Adapter to intermediate housing .....	1	46	303700	SUPPORT .....	1
18	388439	THROTTLE CONTROL .....	1	47	553146	WASHER, Connector .....	2
19	303854	BUSHING, Control gear .....	1	48	322254	SUPPORT, Throttle cable .....	1
20	304573	SCREW, Idle adjustment .....	1	49	552957	SCREW, Intermediate hsg. to gearcase, 2-5/8" long .....	2
21	309247	SPRING, Adjustment screw .....	1	49	316109	SCREW, Intermediate hsg. to gearcase, 1-3/4" long ..	3
22	303191	O-RING, Shift lever shaft .....	2	50	552914	WASHER, Hsg to gearcase screw ...	5
23	303775	WASHER, Lever to intermediate housing .....	1	51	306338	NUT, Stud, adapter to intermediate housing .....	1
24	203688	NUT, Adjustment screw .....	2	52	302290	LOCKWASHER, Stud, adapter to intermediate housing ..	1
25	303480	LOCKWASHER, Adjustment screw	4	△ 53	322560	FUEL FITTING .....	1
26	388655	ADJUSTMENT LEVER & SHAFT ASSY .....	1	54	313236	RETAINING RING .....	1
27	313607	FITTING, Lubrication .....	2	55	204046	NUT .....	1
28	314360	SCREW, Adapter to powerhead 1-3/16" long .....	4	56	304015	SCREW, Adjustment .....	1
28	318622	SCREW, Adapter to powerhead 1-9/16" long .....	2	57	302858	COTTER PIN, Connector .....	1
29	552062	SCREW, Shift lever adjustment .....	2	58	303466	DETENT .....	1
				59	980863	CLAMP, Hose, adapter to manifold ...	2

# GEARCASE



804256



# GEARCASE

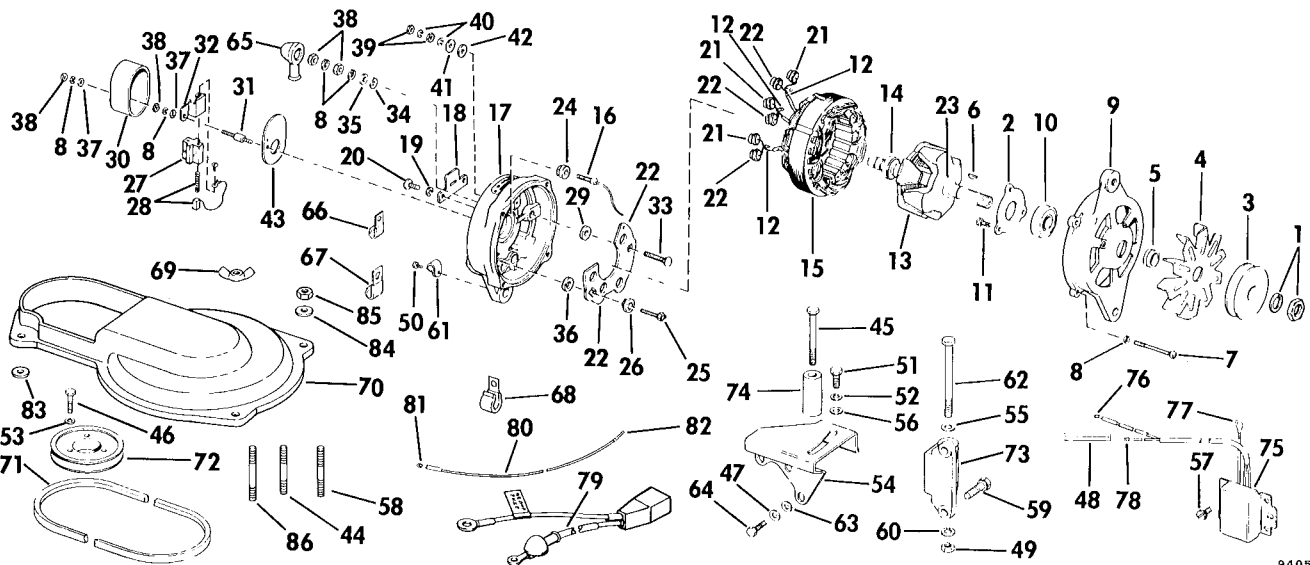
ZD0010

REF NO	PART NO	NAME OF PART	QTY PER ASSY	REF NO	PART NO	NAME OF PART	QTY PER ASSY
*	388874	GEARCASE ASSY. ....	1	38	388027	THRUST BEARING, Reverse gear ..	1
1	388298	BEARING HOUSING & SEAL ..	1	39	319686	THRUST WASHER, Front .....	1
2	321453	OIL RETAINER .....	2	40	319685	THRUST WASHER, Rear .....	1
3	376856	BEARING ASSY., Prop shaft .....	2	41	322747	THRUST WASHER, Reverse gear ...	1
4	322234	WASHER, Seal .....	1	42	322363	SPACER, Shift yoke .....	1
5	304071	SCREW .....	2	43	304575	DRIVE PIN, Propeller .....	1
*	317178	O-RING .....	1	†44	323333	PLATE, Impeller housing .....	1
6	313893	O-RING, Bearing housing .....	1	45	389999	ANODE ASSY .....	1
7	323096	GEAR, Reverse .....	1	46	306461	SCREW, Anodes to gearcase .....	1
8	388194	PROPELLER SHAFT .....	1	47	309776	LOCKWASHER .....	2
9	323278	SPRING, Detent .....	1	48	322311	GROMMET, Impeller housing .....	1
10	316506	BALL, Detent .....	2	49	322216	SHIFT ROD .....	1
11	319565	SHIFTER, Clutch dog .....	1	50	323331	DRIVESHAFT .....	1
12	390023	SHIFTER YOKE & CONNECTOR .....	1	†51	324960	SCREW, Impeller housing .....	4
13	308376	PIVOT PIN, Shifter lever .....	1	†52	319452	WASHER .....	4
14	388729	GEAR & BUSHING ASSY, Fwd. ..	1	53	308053	BUSHING, Impeller housing grommet .....	1
15	386186	ROLLER BEARING, Fwd gear .....	1	54	322482	TRANSFER, Gearcase .....	2
16	323095	PINION, Driveshaft .....	1	†55	388702	IMPELLER ASSY. ....	1
17	322688	THRUST WASHER, Bearing .....	1	56	389104	IMPELLER HOUSING & SEAL .....	1
18	388027	THRUST BEARING, Pinion .....	1	†57	321786	SEAL, Impeller housing .....	1
19	319667	THRUST WASHER .....	1	58	306394	COTTER PIN .....	1
20	388293	GEARCASE, Bearing & seal .....	1	59	305294	NUT, Propeller .....	1
21	322018	BEARING HOUSING .....	1	60	304576	THRUST WASHER .....	1
22	386473	BEARING ASSY .....	1	†61	323008	CUP, Impeller housing .....	1
23	321928	SEAL ASSY. ....	2	†62	323311†	GASKET, Housing plate .....	1
24	376856	BEARING ASSY .....	1	63	389093	PROPELLER 12 X 8 .....	1
25	301877	O-RING, Bushing .....	1	63	376738	PROPELLER 11 X 9 .....	1
26	326361	BUSHING, Shift rod .....	1	64	389961	PROPELLER, Folding .....	1
27	321738	WASHER, Shift rod bush .....	1	65	324924	BLADE, Propeller .....	2
28	322217	SCREEN, Intake .....	1	66	324926	THRUST WASHER .....	1
29	303347	O-RING .....	1	67	324927	DRIVE PIN, Propeller .....	1
30	321512	CRADLE, Clutch dog .....	1	68	324928	SET SCREW .....	2
31	307551	PLUG & WASHER .....	2	69	324929	RETAINER .....	1
32	311598	WASHER .....	1	70	324930	PIN .....	2
33	320118	LEVER, Shifting .....	1	71	306394	COTTER PIN .....	1
34	319667	THRUST WASHER .....	1	†72	300611	PIN, Impeller .....	1
35	306376	COTTER PIN .....	1	73	302497	GROMMET, Housing .....	1
36	302504	PIN, Shift lever .....	1	74	389105	WATER PUMP REPAIR KIT .....	1
37	319635	BUSHING, Reverse gear .....	1				

\* Not Shown

† Contents of Water Pump Repair Kit

# ALTERNATOR KIT - SAIL DRIVE



OB0023

94056

REF NO	PART NO	NAME OF PART	QTY PER ASSY	REF NO	PART NO	NAME OF PART	QTY PER ASSY
†*	388196	ALTERNATOR KIT ASSY	1	△43	313047	PLATE, Back-up, brush holder	1
◆*	388331	ALTERNATOR KIT ASSY	1				
△*	981186	ALTERNATOR ASSY, Comp	1	44	908824	STUD, Guard to bracket	1
1	982275	NUT & LOCKWASHER PACKAGE	1	†45	301438	SCREW	1
2	313048	SEAL	1	46	302288	SCREW, Pulley	3
3	311312	PULLEY, DRIVE	1	47	302471	WASHER	3
4	316266	FAN, Ventilating	1	48	303806	TUBING, Voltage regulator	1
5	316267	SPACER, Rotor shaft	1	49	303889	NUT, Alternator bracket	1
6	311315	KEY, Rotor shaft	1	50	306158	SCREW, Clamp	1
7	312488	THRU BOLT PACKAGE	1	51	306322	SCREW, Bracket	1
8	120052	LOCKWASHER	10	52	306325	LOCKWASHER, Bracket	1
9	381468	HEAD ASSY, Drive end	1	53	306396	LOCKWASHER, Pulley	3
10	380207	BRG ASSY, Drive end	1	†54	330144	ADJUSTMENT BRACKET	1
11	304608	SCREW, Retainer	3	◆54	322403	ADJUSTMENT BRACKET	1
12	382009	EYELET PACKAGE	1	55	306405	WASHER	4
13	981182	ROTOR & BEARING ASSY	1	56	306453	WASHER	2
14	383900	SLIP RING & BRG PKG	1	57	303311	SCREW, Reg to manifold	2
15	382003	STATOR ASSEMBLY	1	58	311328	STUD, Bracket	1
16	+	STUD, Field terminal	1	59	306835	SCREW, Bracket to manifold	2
17	981183	HEAD ASSY, Slip ring end	1	60	309336	LOCKWASHER	1
18	•	INSULATION, Slip ring end	1	61	310503	CLAMP, Leads	1
19	•	LOCKWASHER, Insul 10	2	62	311391	SCREW	1
20	•	SCREW, Insul, 10-32	2	63	311734	WASHER	2
21	980294	RECTIFIER, Negative	3	†64	313332	SCREW, Adjusting bracket	3
22	383897	RECTIFIER & PLATE ASSY	1	65	314902	COVER, Lead	1
23	312486	RETAINER, Felt washer	1	†66	316386	CLAMP, Lead	1
24	+	BUSHING, Insul, field term	1	67	316993	CLAMP, Leads to bracket	1
25	+	STUD, Auxiliary terminal	1	◆68	309846	CABLE CLAMP	1
26	+	BUSH, Insulation, aux term	1	69	405644	WING NUT	3
27	382005	BRUSH HOLDER ASSY	1	†70	322886	BELT GUARD	1
28	980084	BRUSH & SPRING SET	1	◆70	322897	BELT GUARD	1
29	+	BUSH, Insul, battery term	1	◆71	322480	V-BELT, 34"	1
*	981188	COVER & STUD ASSY	1	†71	322325	V-BELT, 26"	1
△30	909127	COVER, Slip ring	1	72	322326	PULLEY, Flywheel	1
△31	909174	STUD, Cover, slip ring	1	†73	322342	ALTERNATOR BRACKET	1
32	•	COVER, Brush holder	1	◆73	907798	ALTERNATOR BRACKET	1
33	+	STUD, Battery terminal	1	†74	322324	SPACER, Adjusting bracket	1
34	+	WASHER, Insul, field term	1	△75	383440	VOLTAGE REGULATOR	1
35	+	WASHER, Plain, field and auxiliary terminal	2	76	204036	RING TERMINAL	1
36	+	WASHER, Insul aux term	1	77	308294	RING TERMINAL	1
37	306547	WASHER, Mounting stud	4	78	308808	KNIFE DISCONNECT	1
38	309485	NUT, Hex	8	79	581967	FUSE AND LEAD ASSEMBLY	1
39	•	NUT, Battery term, 1/4-28	2	80	581968	LEAD ASSEMBLY	1
40	•	LOCKWASHER, Battery terminal, 1/4"	2	81	510780	RING TERMINAL	1
41	+	WASHER, Plain, battery term	1	82	308808	TERMINAL	1
42	+	WASHER, Insul, bat term	1	83	302401	WASHER, Belt guard	5
				84	306358	WASHER, Adjusting bracket	2
				85	301472	NUT, Adjusting bracket	1
				86	322888	STUD, Guard to bracket	1

\* Not Shown

◆ Low Mount

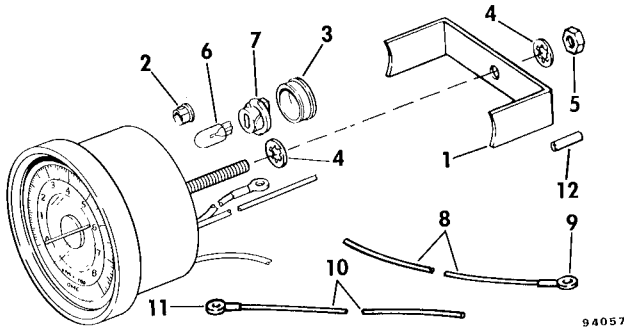
• No Part Number

+ Available in Terminal Stud and Parts Package, Order Part No 383899

† High Mount

# TACHOMETER KIT

OB0042



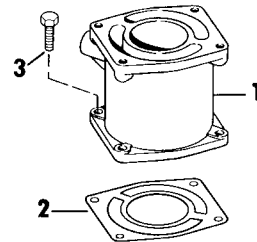
REF NO	PART NO	NAME OF PART	QTY PER ASSY
*	173562	TACH ASSY., Black bezel, 4000 RPM	1
1	122558	. BRACKET	1
2	122915	. BUSHING, Tach lead	1
3	122916	. COVER, Bulb	1
4	306992	. LOCKWASHER	2
5	304753	. NUT	1
6	122552	. BULB	1
7	122553	. SOCKET	1
8	173494	. LEAD ASSY (Grey)	1
9	510780	. TERMINAL	1
10	173495	. LEAD ASSY (Black)	1
11	204036	. TERMINAL	1
12	123437	. SPLICE, Conductor	2

\* Not Shown

# EXHAUST MANIFOLD EXTENSION KIT

OB0024

REF NO	PART NO	NAME OF PART	QTY PER ASSY
*	388591	MANIFOLD EXTENSION KIT	1
1	322180	. EXHAUST MANIFOLD	1
2	322278	. GASKET	2
3	307604	. SCREW	4



74212

\* Not Shown

## **United States of America**

**Outboard Marine Corporation  
100 Sea Horse Drive  
Waukegan, Illinois 60085 U.S.A.  
312/689-5630**

## **Canada**

**Outboard Marine Corporation of Canada, Ltd.  
910 Monaghan Road  
Peterborough, Ontario, Canada  
K9J7B6 (postal code)  
705/876-2583**

## **Caribbean, Mexico, Central America, South America**

**Outboard Marine International, Inc.  
75 N.E. 179th Street  
Miami, Florida 33162 U.S.A.  
305/652-2311**

## **Europe, Middle East, Africa**

**Outboard Marine Belgium, N.V.  
Pathoekeweg 120  
8000 Brugge, Belgium  
050/31.51.87**

## **Australia, New Zealand, Southwest Pacific**

**Outboard Marine Australia Pty. Ltd.  
84 Canterbury Road  
Bankstown, New South Wales  
Australia, Sydney 70-0701**

## **Bangladesh, Brunei, Burma, Guam, Hong Kong, India, Indonesia, Japan, Korea, Macau, Malaysia, Maldives, Micronesia, Pakistan, People's Republic of China, Philippines, Singapore, Sri Lanka, Taiwan, Thailand**

**Outboard Marine Asia, Ltd.  
120 Tsuen Wan, TYTL #54  
Tsing Yi Island, New Territories  
Hong Kong**

**OMC<sup>®</sup> Sail Drive**  
MARKETED BY

**OMC**  
**DRIVE SYSTEMS**

A PRODUCT GROUP OF OUTBOARD MARINE CORPORATION

**3145 CENTRAL AVENUE ■ WAUKEGAN, ILLINOIS ■ 60085**