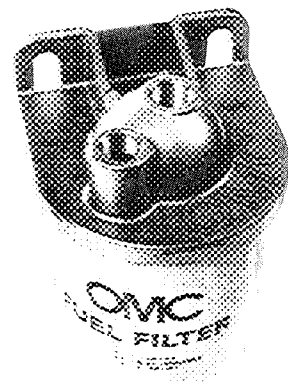
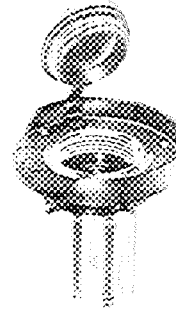


OMC *Sea Drive*[®]

OPTIONAL EQUIPMENT PARTS CATALOG





SAFETY WARNING

Note

WHEN REPLACEMENT PARTS ARE REQUIRED, USE GENUINE OMC PARTS OR PARTS WITH EQUIVALENT CHARACTERISTICS INCLUDING TYPE, STRENGTH, AND MATERIAL. FAILURE TO DO SO MAY RESULT IN PRODUCT MALFUNCTION AND POSSIBLE INJURY TO THE OPERATOR AND/OR PASSENGERS.

OUTBOARD MARINE CORPORATION, MANUFACTURER OF OMC SEA DRIVE® MARINE POWER SYSTEM, RESERVES THE RIGHT TO MAKE CHANGES AT ANY TIME, WITHOUT NOTICE, IN SPECIFICATIONS AND MODELS AND ALSO TO DISCONTINUE MODELS. THE RIGHT IS ALSO RESERVED TO CHANGE ANY SPECIFICATIONS OR PARTS AT ANY TIME WITHOUT INCURRING ANY OBLIGATION TO EQUIP SAME ON MODELS MANUFACTURED PRIOR TO DATE OF SUCH CHANGE

WHILE THE INFORMATION CONTAINED IN THIS PARTS CATALOG IS BASED ON THE LATEST PRODUCT INFORMATION AVAILABLE AT THE TIME OF PUBLICATION, THE CONTINUING ACCURACY OF THIS PARTS CATALOG CANNOT BE GUARANTEED.

ALL ILLUSTRATIONS USED IN THIS PARTS CATALOG MAY NOT DEPICT ACTUAL MODELS OR EQUIPMENT AND ARE INTENDED AS REPRESENTATIVE VIEWS FOR REFERENCE ONLY.

Note

THIS PARTS CATALOG SHOULD NOT BE USED IN LIEU OF A SERVICE MANUAL. ORDER YOUR SERVICE MANUAL OR OWNER'S MANUAL FROM YOUR NEAREST MARKETING DIVISION, SEE REAR COVER.

SUPPLY MODEL AND SERIAL NUMBER OF ENGINE FROM NAMEPLATE ATTACHED TO THE LOWER ENGINE COVER WHEN REQUESTING A SERVICE MANUAL OR OWNER'S MANUAL.

TABLE OF CONTENTS

CAUTION PLATE KIT	4
SHIFT ASSIST KIT	4, 5
SYNCHRONIZATION VALVE - DUAL ENGINE	5
TRANSOM COVER	6
WIRING KIT - SINGLE LEVER	6
SELECTRIM®/TILT SWITCH	7
SELECTRIM®/GAUGE & CABLE	7
CABLE ASSEMBLY - BATTERY TO JUNCTION BOX	7
EXTENSION HARNESS - INSTRUMENTS	7
SECOND STATION CABLE KIT - SELECTRIM/TILT	8
SECOND STATION CABLE KIT - INSTRUMENTS	8
EXTENSION CABLE - TRIM	8
CLOCK KIT	8
WATER TEMPERATURE GAUGE KIT	8
QUARTACH™ TACHOMETER - FLUSH MOUNT	9
TACHOMETER KIT - PLUG IN	9
WATER PRESSURE GAUGE KIT	9
VOLTMETER KIT	10
FUEL GAUGE KIT	10
SPEEDOMETER LIGHT KIT	10
SPEEDOMETER KIT - FLUSH MOUNT	10
TIME INDICATOR KIT	10
THRU TRANSOM KIT	11
STEERING CONNECTOR KIT	11
DUAL CABLE STEERING KIT	11
ELECTRIC PRIMER PUMP ASSEMBLY	12
PRIMER PUMP KIT	12
REMOTE OIL FILL KIT	13
PRIMER BULB KIT	13
FUEL FILTER	13
VRO™ OIL TANK KIT - 1.8 GALLON	14
VRO™ OIL TANK KIT - 3.5 & 7 GALLON	15
VRO™ DUAL OIL TANK PICKUP KIT	16
OIL LEVEL GAUGE & SENDING UNIT	16
AIR INLET KIT	17
ZINC ANODE KIT	17
SPRAY PLATE KIT	17
REMOTE CONTROLS	18 thru 21
OMC SNAP-INT™ CABLES	22

E S NO	COLOR	SPRAY	QT. CAN
318	WHITE	172756	N/A
1655	PRIMER	171757	376015
1696	SILVER	395031	174032

INDENTED PART NAMES INDICATE THAT THESE PARTS ARE INCLUDED IN PRECEDING ASSEMBLY

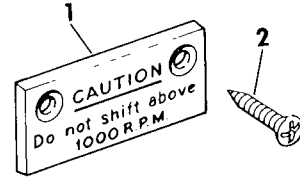
SPECIFY MODEL AND SERIAL NUMBER OF ENGINE WHEN
ORDERING PARTS ORDER ALL PARTS FROM YOUR
LOCAL AUTHORIZED DEALER

PART NUMBERS NEW FOR THIS MODEL YEAR CAN BE
IDENTIFIED BY THE BOX SYMBOL ■ IN NAME OF PART COLUMN

CAUTION PLATE KIT

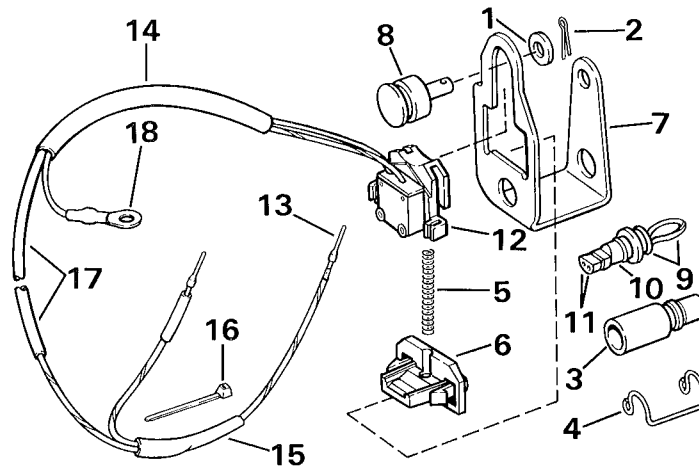
XD0167

Ref. No.	P/N	Name of Part	Qty.
1	980479	CAUTION PLATE KIT	1
2	122295	SCREW, Plate	2



32814

SHIFT ASSIST KIT - 2.5 & 2.6 S-TYPE



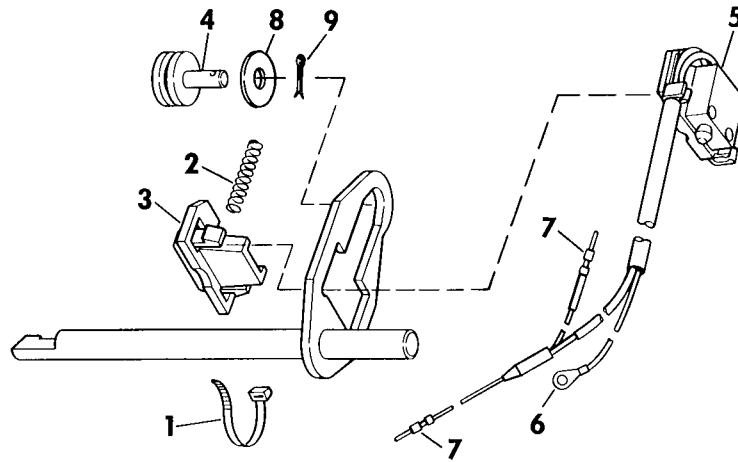
BQ2

843042

Ref. No.	P/N	Name of Part	Qty.	Ref. No.	P/N	Name of Part	Qty.
*	983623	SHIFT ASSIST KIT	1	10	511989	TWO PIN CONNECTOR	1
1	304051	WASHER	1	11	581656	SOCKET ASSY	2
2	306387	COTTER PIN	3	12	983197	SWITCH & SLIDER ASSY	1
3	511616	CONNECTOR	1	13	511469	PIN	1
4	511618	RETAINER	1	14	311612	TUBE	1
5	911054	SPRING	1	15	315072	WIRE SPLICE	2
6	911057	RETAINER	1	16	317893	TIE STRAP	1
7	911383	SHIFT BRACKET	1	17	510628	INSULATING SLEEVE	1
8	911416	PIN	1	18	510818	TERMINAL	1
9	983164	CONN PLUG & LEAD ASSY	1				

* Not Shown

SHIFT ASSIST KIT - 2.6 DUCTED



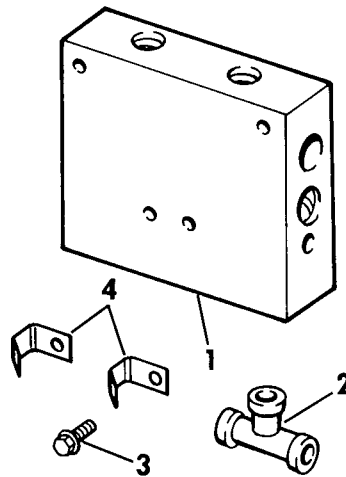
824187

BQ3

Ref. No.	P/N	Name of Part	Qty.
*	983157	SHIFT ASSIST KIT	1
1	320107	TIE STRAP	1
2	911482	SPRING	1
3	911057	RETAINER	1
4	911058	PIN	1
5	983197	SWITCH & SLIDER	1
6	510818	TERMINAL	1
7	511469	PIN	2
8	304051	WASHER	1
9	306387	COTTER PIN	1

* Not Shown

SYNCHRONIZATION VALVE DUAL ENGINE - ALL HYDRAULIC STEERING MODELS

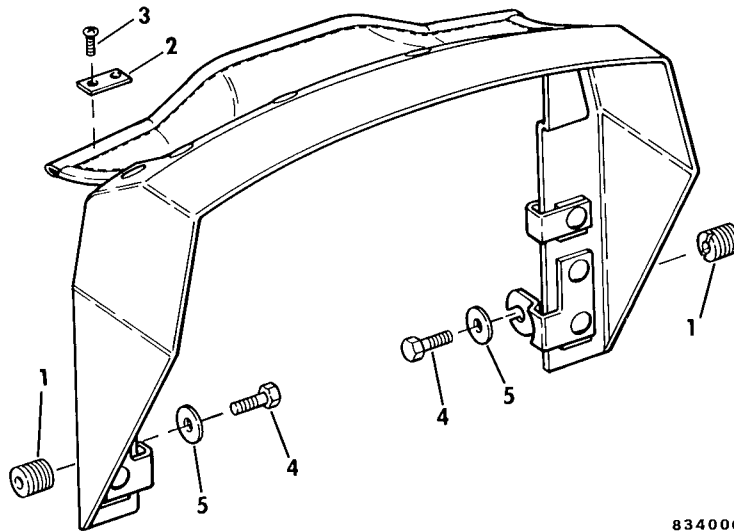


834089

XD0285

Ref.No.	P/N	Name of Part	Qty.
1	983430	SYNCHRONIZATION VALVE, Dual engine	1
2	910877	TEE, Steering lines	1
3	911321	SPACER BOLT	1
4	911313	SPACER	2

TRANSOM COVER - 2.6 DUCTED



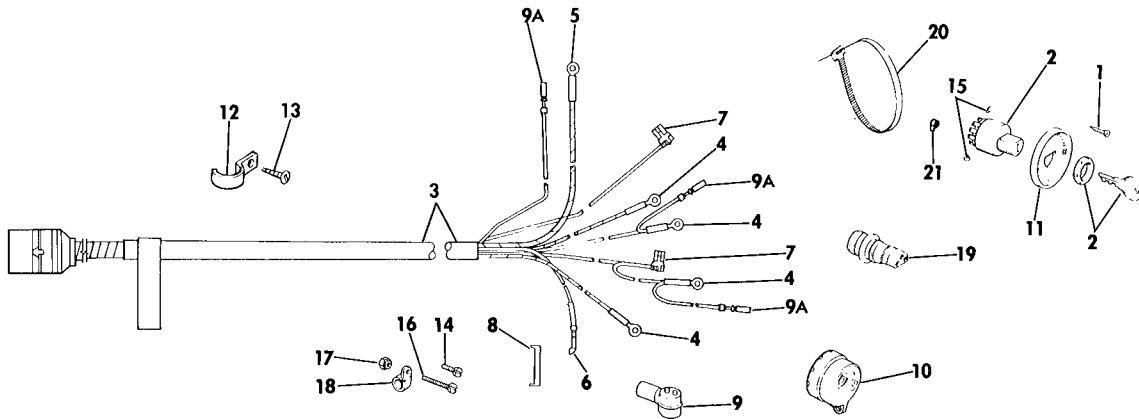
834006

BQ5

Ref. No.	P/N	Name of Part	Qty.
*	983229	TRANSOM COVER KIT	1
1	911075	INSERT, Intermediate	2
2	911068	HOLD DOWN, Rod	2
3	911077	SCREW, Hold down	4
4	322000	SCREW, Cover & bracket	2
5	309543	WASHER, Screw, cover & bracket	2

* Not Shown

WIRING KIT - SINGLE LEVER CONTROLS - ALL MODELS



824185

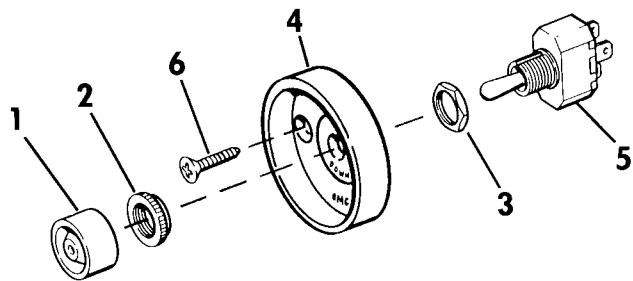
XD0287

Ref. No.	P/N	Name of Part	Qty.	Ref. No.	P/N	Name of Part	Qty.
*	173769	WIRING KIT, Single lever controls, 20'	1	9	322815	COVER	1
				9A	581656	SOCKET	3
*	174141	WIRING KIT, Single lever controls, 28'	1	10	389263	HORN ASSEMBLY	1
1	122481	SCREW, Panel mounting	2	11	323272	MOUNTING PANEL PLATE	1
†	393301	SWITCH & KEY	1	12	304494	CLAMP	4
3	173826	INSTRUMENT CABLE ASSEMBLY, 20'	1	13	305009	SCREW	4
3	174139	INSTRUMENT CABLE ASSEMBLY, 28'	1	14	306286	SCREW, Clamp to dash	2
4	510780	RING TERMINAL	3	15	306559	SCREW, Terminals	6
5	204038	RING TERMINAL	1	16	307190	SCREW, Clamp to dash	1
6	308808	TERMINAL	1	17	308335	NUT, Clamp screw	2
7	309437	FLAG TERMINAL	2	18	316669	CLAMP, Cable to dash	2
8	316198	TUBING	1	19	511990	3 PIN CONNECTOR	1
				20	320107	TIE STRAP	3
				21	123975	COVER, Switch	1

* Not Shown

† See Service Bulletin for Key Ordering Information

SELECTRIM/TILT SWITCH - ALL MODELS



XD0304

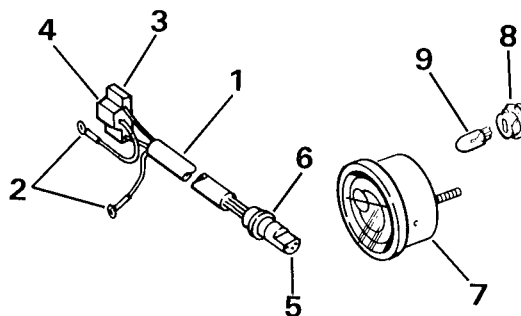
Ref.No.	P/N	Name of Part	Qty.
1	310781	COVER	1
2	310782	NUT	1
3	900185	NUT	1
4	909395	BEZEL, Trim	1
5	976443	POWER TILT/TRIM SWITCH	2
6	122481	SCREW, Mounting bezel	2

814097

SELECTRIM GAUGE & CABLE - ALL MODELS

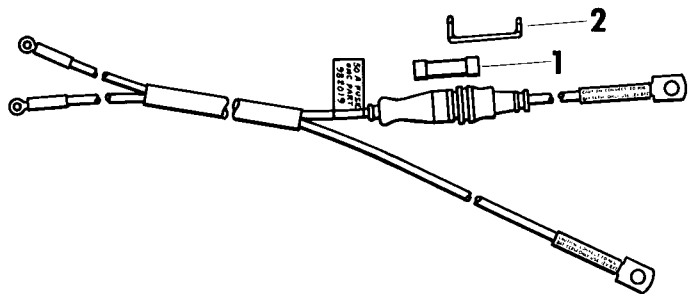
XD0288

Ref. No.	P/N	Name of Part	Qty.
1	981448	CABLE ASSEMBLY, 20'	
2	204036	RING TERMINAL	2
3	311742	CONNECTOR	1
4	309433	TERMINAL, Housing	3
5	581656	SOCKET ASSEMBLY	3
6	511990	CONNECTOR	1
7	983466	TRIM POSITION INDICATOR GAUGE KIT	1
8	122553	SOCKET	1
9	122552	BULB	1



843043

CABLE ASSEMBLY - BATTERY TO JUNCTION BOX - ALL MODELS



834090

XD0305

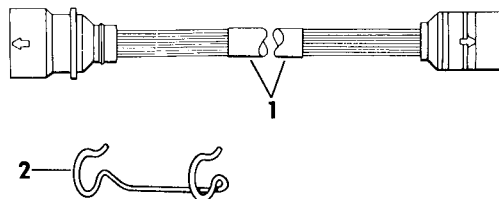
Ref. No.	P/N	Name of Part	Qty.
*	983601	CABLE ASSEMBLY KIT	1
1	982019	FUSE	1
2	910330	RETAINER, Fuse	1

* Not Shown

EXTENSION HARNESS - INSTRUMENTS - ALL MODELS

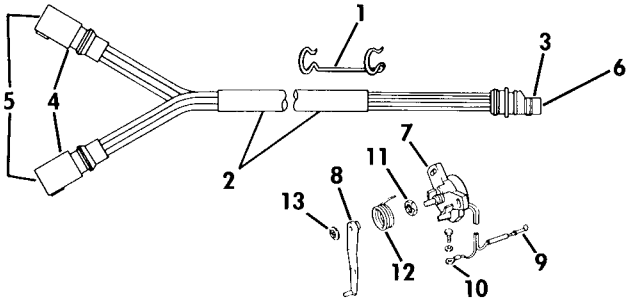
XD0306

Ref.No.	P/N	Name of Part	Qty.
1	173771	CABLE ASSEMBLY, 10 ft	1
2	315182	CLAMP	1



33819

SECOND STATION CABLE KIT - SELECTRIM/TILT - ALL MODELS



814016

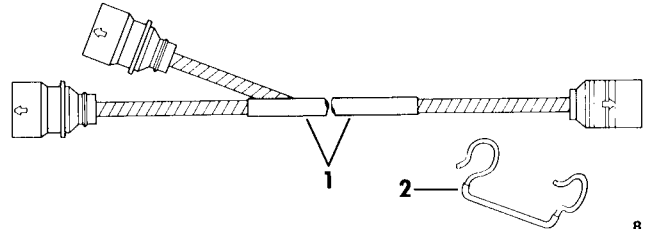
Ref. No.	P/N	Name of Part	Qty.
1	322548	RETAINER	3
2	982553	CONNECTOR ASSEMBLY	1
3	511990	CONNECTOR	1
4	511465	CONNECTOR	1
5	511469	PIN	6
6	581656	SOCKET ASSEMBLY	3
7	983971	SENDING UNIT ①	1
7	983274	SENDING UNIT ②	1
8	910973	ARM ①	1
8	512211	ARM ②	1
9	308808	TERMINAL	1
10	114208	RING TERMINAL	1
11	320689	NUT	1
12	910790	SPRING	1
13	511527	RETAINER	1

① S-Type ② Ducted

SECOND STATION CABLE KIT - INSTRUMENTS

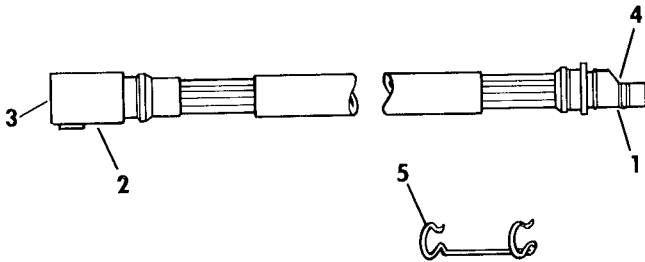
XD0153

Ref. No.	P/N	Name of Part	Qty.
1	983017	CABLE ASSEMBLY	1
2	315182	CLAMP	2



824174

EXTENSION CABLE - TRIM



84410

XD0164

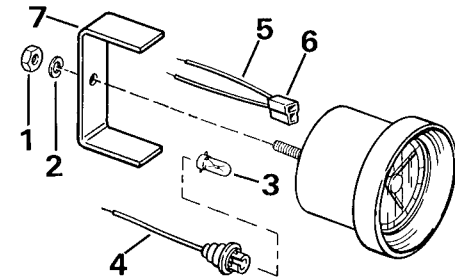
Ref.No.	P/N	Name of Part	Qty.
*	981445	CABLE ASSEMBLY, 10 ft	1
1	511990	CONNECTOR	1
2	511465	CONNECTOR	1
3	511469	PIN	3
4	581656	SOCKET ASSEMBLY	3
5	322548	RETAINER	1

* Not Shown

XD0310

Ref.No.	P/N	Name of Part	Qty.
*	173336	CLOCK KIT, Black bezel	1
1	304753	NUT	1
2	306992	LOCKWASHER	1
3	122552	BULB	1
4	172889	SOCKET	1
5	172887	POWER LEAD ASSEMBLY	1
6	900258	CONNECTOR	1
7	124611	BRACKET	1

* Not Shown

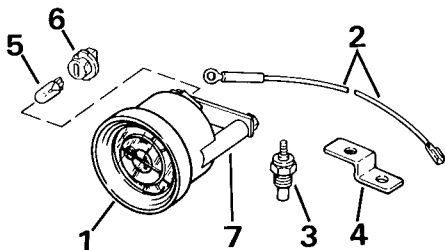


843052

CLOCK KIT

WATER TEMPERATURE GAUGE KIT

SD0213



843053

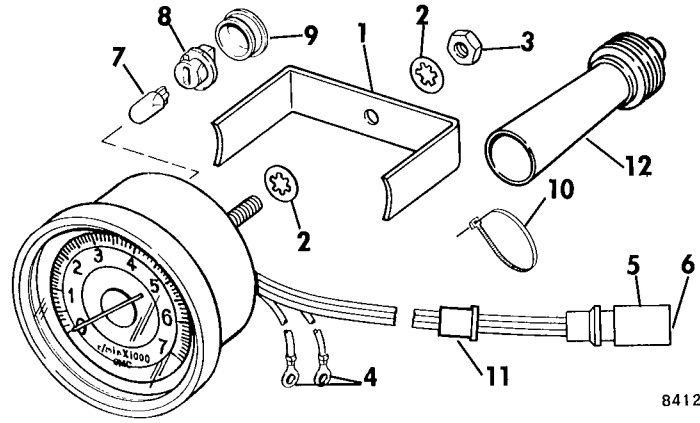
Ref.No.	P/N	Name of Part	Qty.
*	174098	WATER TEMPERATURE GAUGE KIT, Black bezel	1
1	173817	GAUGE ASSY, Black bezel	1
2	172828	LEAD ASSY, sending unit to gauge	2
3	172843	SENDING UNIT ASSY	1
4	122787	BRACKET, Mounting	2
5	122552	BULB	1
6	122553	LIGHT SOCKET	3
7	124611	BRACKET	1

* Not Shown

TACHOMETER KIT - PLUG IN

OP0849C

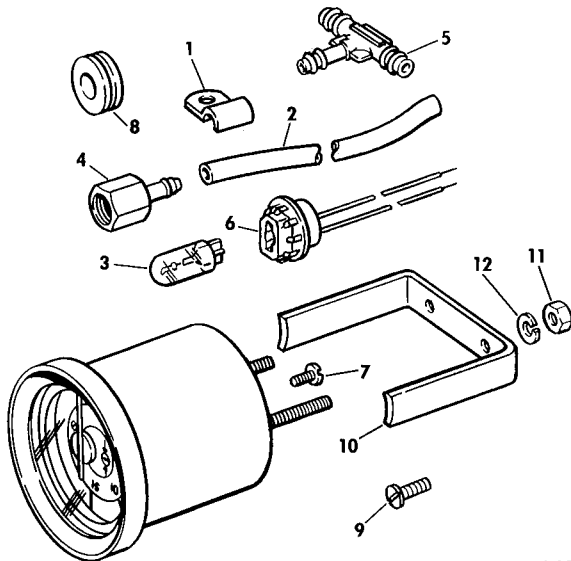
Ref. No.	P/N	Name of Part	Qty.
*	174053	TACHOMETER KIT - 7000 RPM ALUM BEZEL	1
*	174052	TACHOMETER KIT - 7000 RPM BLACK BEZEL	1
1	122558	BRACKET, Mounting	1
2	306992	LOCKWASHER	2
3	304753	NUT	1
4	204036	RING TERMINAL	2
5	511465	CONNECTOR	1
6	511469	PIN	3
7	122552	BULB	1
8	122553	SOCKET, Bulb	1
9	122916	COVER, Bulb socket	1
10	320107	TIE STRAP	1
11	122915	BUSHING, Cable assy	1
12	124280	BOOT	1



841237

* Not Shown

WATER PRESSURE GAUGE KIT



843049

XD0290

Ref.No.	P/N	Name of Part	Qty.
*	173660	WATER PRESSURE GAUGE KIT	1
1	120001	CLAMP, Hose	5
2	121829	HOSE	2
3	122552	BULB	1
4	123552	HOSE CONNECTOR	1
5	123553	TEE CONNECTOR	1
6	172952	LIGHT SOCKET	3
7	306915	SCREW	2
8	307417	GROMMET	1
9	310115	SCREW	1
10	124611	BRACKET	1
11	133079	NUT	2
12	309776	LOCKWASHER	2
*	123692	CONNECTOR, Water pressure line	1

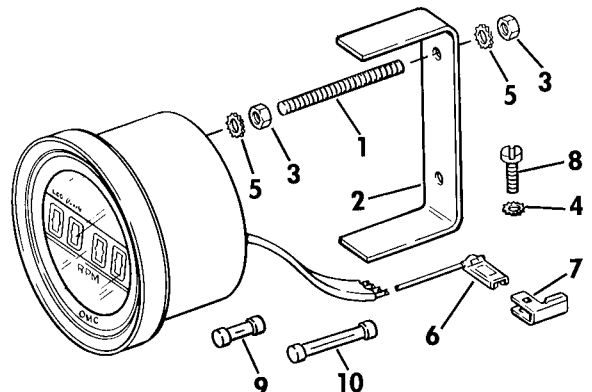
* Not Shown

QUARTACH™ TACHOMETER - FLUSH MOUNT - DIGITAL

XD0150

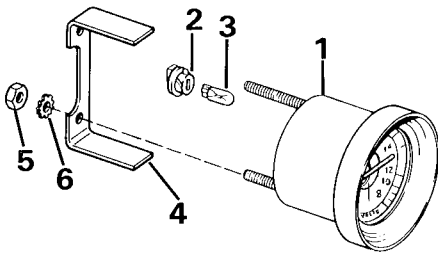
Ref. No.	P/N	Name of Part	Qty.
*	173955	QUARTACH™ TACHOMETER	1
1	123641	STUD, Mounting	2
2	123642	BRACKET, Mounting	1
3	133079	NUT, Mounting	4
4	303916	LOCKWASHER, Ground	1
5	306991	LOCKWASHER, Mounting	4
6	309437	FLAG TERMINAL	1
7	319984	ADAPTOR	1
8	510338	SCREW, Ground	1
9	123981	FUSE	1
10	174132	LAMP	1

* Not Shown



834085

VOLTMETER KIT



74333

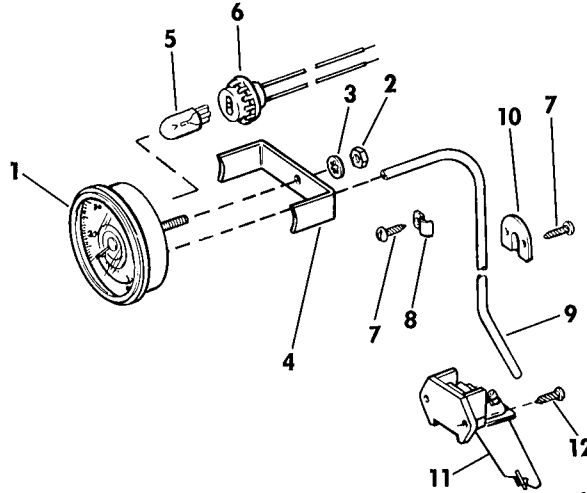
XD0162

Ref. No.	P/N	Name of Part	Qty.
1	174097	VOLTMETER KIT, Black bezel	1
2	122553	SOCKET	1
3	122552	BULB	1
4	909693	BRACKET	1
5	304753	NUT	2
6	306992	LOCKWASHER	2

SPEEDOMETER KIT - FLUSH MOUNT

SD0161

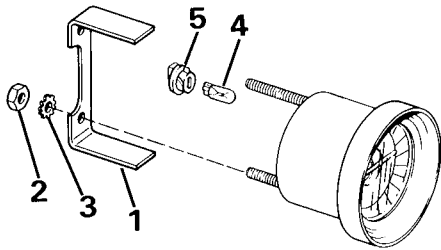
Ref.No.	P/N	Name of Part	Qty.
*	173750	SPEEDOMETER KIT, 65 mph	1
1	173783	SPEEDOMETER ASSY , 65 mph	1
2	304753	NUT	1
3	306992	LOCKWASHER	1
4	121710	BRACKET	1
5	122552	BULB	1
6	172952	LIGHT SOCKET	1
7	310115	SCREW	9
8	120001	HOSE CLAMP	5
9	121829	HOSE, Speedometer	1
10	121828	GUARD, Thru transom	1
11	173623	PITOT TUBE ASSEMBLY	1
12	122822	SCREW, Pitot mounting	2-3



824120

* Not Shown

FUEL GAUGE KIT



74367

SD0149

Ref.No.	P/N	Name of Part	Qty.
*	174093	FUEL GAUGE KIT	1
1	909693	BRACKET	1
2	304753	NUT	2
3	306992	LOCKWASHER	2
4	122552	BULB	1
5	122553	SOCKET	1

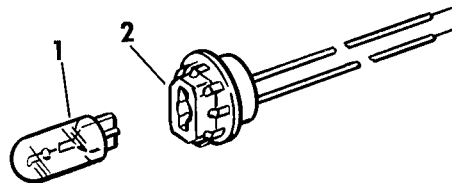
* Not Shown

SPEEDOMETER LIGHT KIT

OP0403C

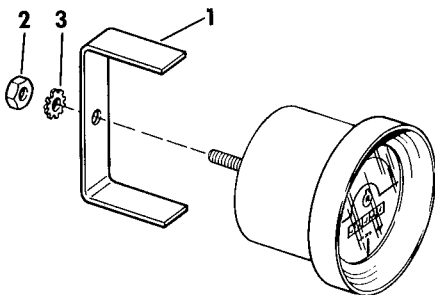
Ref.No.	P/N	Name of Part	Qty.
*	172951	SPEEDOMETER KIT	1
1	122552	BULB	1
2	172952	BULB SOCKET	1

* Not Shown



802130

TIME INDICATOR KIT



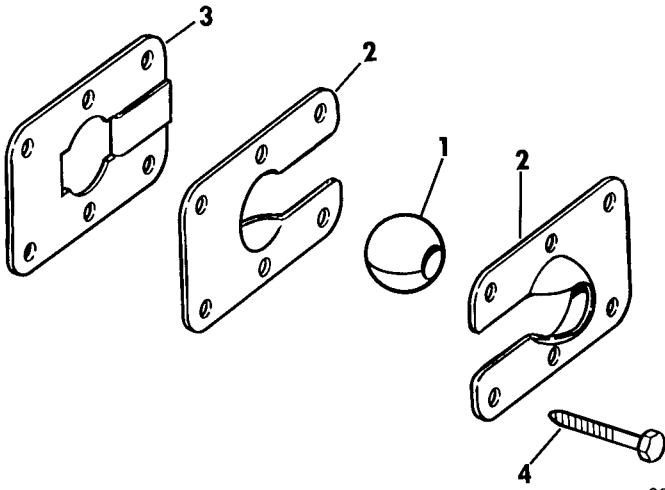
94043

SD0163

Ref. No.	P/N	Name of Part	Qty.
*	173516	TIME INDICATOR KIT	1
1	123510	BRACKET	1
2	204046	NUT	1
3	303916	LOCKWASHER	1

* Not Shown

THRU TRANSOM KIT - 1.6 & 2.5 LITRE MECHANICAL STEERING



XD0291

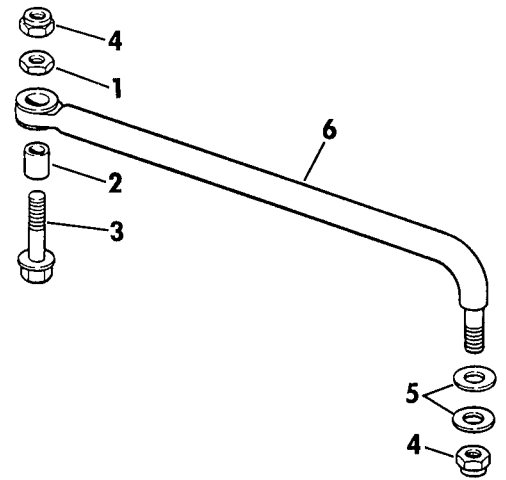
Ref. No.	P/N	Name of Part	Qty.
1	911177	SEAL, Steering cable	1
2	911178	PLATE, Steering cable	2
3	911180	SEAL, Plate	1
4	910987	SCREW	6

834016

STEERING CONNECTOR KIT - 1.6 & 2.5 LITRE MECHANICAL STEERING

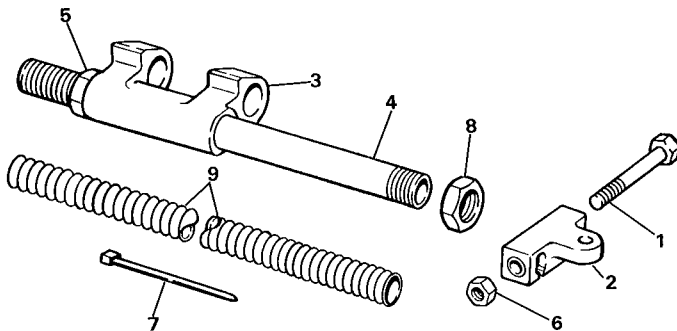
XD0307

Ref.No.	P/N	Name of Part	Qty.
1	122840	NUT, Pivot	1
2	122841	SPACER, Pivot	1
3	123178	BOLT, Steering connector	1
4	315077	LOCKNUT, Stainless steel	2
5	319453	WASHER	2
6	173694	CONNECTOR ROD ASSY, Stainless steel	1



822015

DUAL CABLE STEERING KIT - PARALLEL ENTRY - 1.6 & 2.5 MECHANICAL STEERING



XD0292

Ref. No.	P/N	Name of Part	Qty.
1	123346	SCREW	1
2	123607	CONNECTOR	1
*	983417	TUBE AND BRACKET ASSY	1
3	911242	MOUNTING BRACKET	1
4	911175	TUBE, Steering	1
5	911183	NUT	1
6	315077	LOCKNUT	1
7	317893	TIE STRAP	2
8	983678	WIPER NUT	1
9	911324	JACKET, Steering cable	1

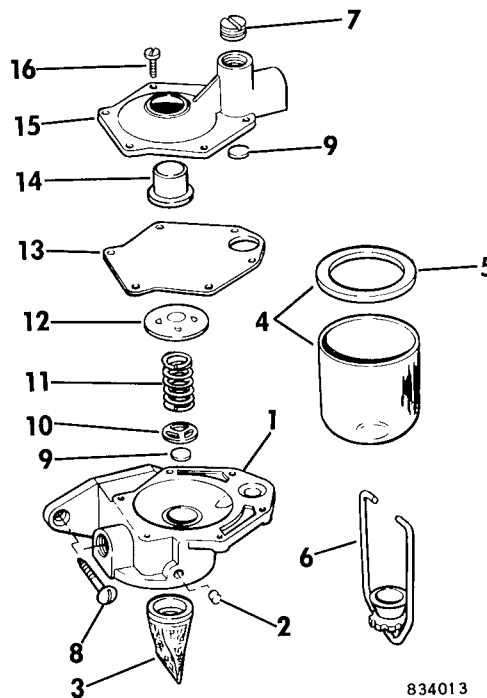
* Not Shown

843044

PRIMER PUMP KIT - 1.6 LITRE MODELS ONLY

XD0293

Ref. No.	P/N	Name of Part	Qty.
1	983473	PRIMER PUMP KIT ASSY	1
2	305243	PLUG, Core	1
3	305185	FILTER	1
4	388480	BOWL AND GASKET	2
5	303622	GASKET	1
6	389686	THUMB NUT & YOKE ASSY	1
7	324076	PLUG, Pipe	1
8	303675	SCREW, Wood	2
9	303614	VALVE, Disc	2
10	303420	RETAINER, Valve	1
11	301803	SPRING	1
12	305714	SUPPORT	1
13	305716	DIAPHRAGM	1
14	305713	BUTTON, Push	1
15	305717	HOUSING	1
16	306431	SCREW	6

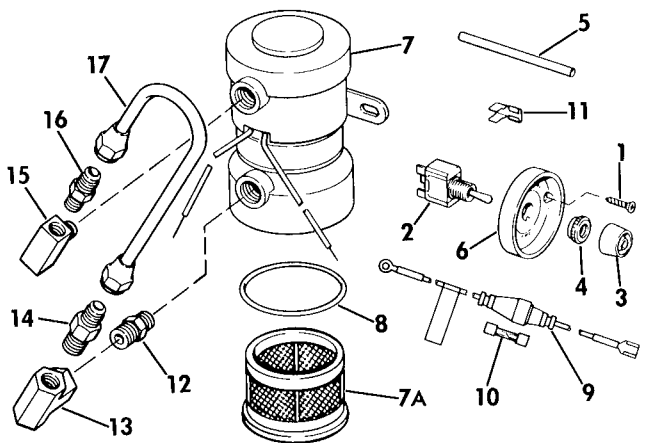


834013

ELECTRIC PRIMER PUMP ASSY. - ALL MODELS

XD0294

Ref.No.	P/N	Name of Part	Qty.
*	394301	ELECTRIC PRIMER PUMP	1
1	122481	SCREW, Bezel	2
2	393125	SWITCH, Primer	1
3	310781	COVER, Switch	1
4	310782	NUT, Switch	1
5	320597	TUBING	3
6	327990	BEZEL, Primer switch	1
7	392752	PRIMER PUMP ASSY	1
7A	328072	FILTER, Pump	1
8	302588	O-RING	1
9	392769	LEAD ASSY	1
10	512129	FUSE, 5 amp	1
11	511828	TERMINAL	1
12	329587	FITTING, Reducer	1
13	329589	TEE, Large	1
14	394302	CHECK VALVE	1
15	329588	TEE, Small	1
16	329586	FLANGE, Connection	1
17	394303	TUBE & NUT ASSY	1



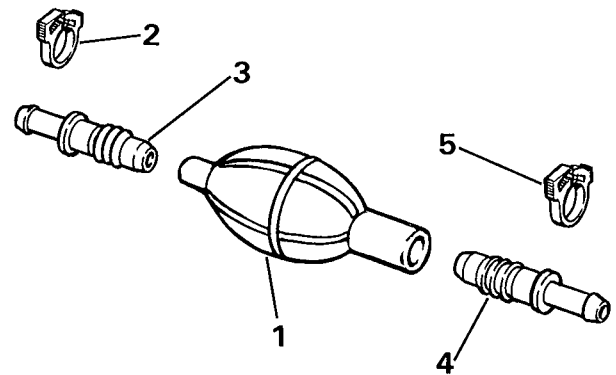
834087

* Not Shown

PRIMER BULB KIT

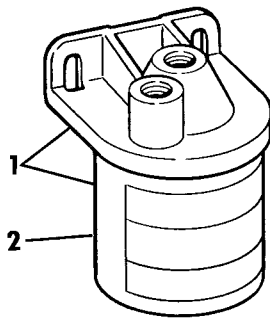
BQ29

Ref. No.	P/N	Name of Part	Qty.
1	174160	PRIMER BULB ASSY	1
2	329654	HOSE CLAMP	2
3	394351	NIPPLE & VALVE ASSY , Inlet	1
4	394352	NIPPLE & VALVE ASSY , Outlet	1
5	329653	HOSE CLAMP	2



843094

FUEL FILTER



OP0975C

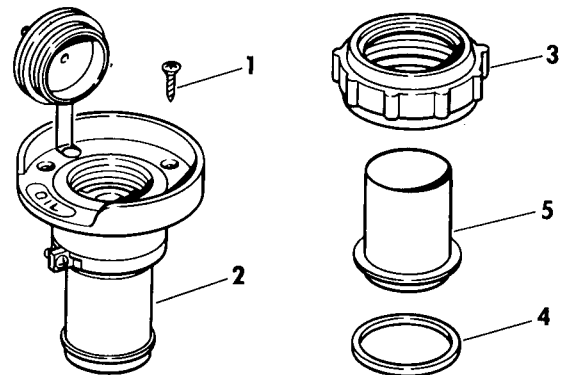
Ref. No.	P/N	Name of Part	Qty.
1	174176	OMC FUEL FILTER ASSY	1
2	174144	ELEMENT	1

841027

REMOTE OIL FILL KIT - 1.8, 3.5 & 7 GALLON TANK

XD0222

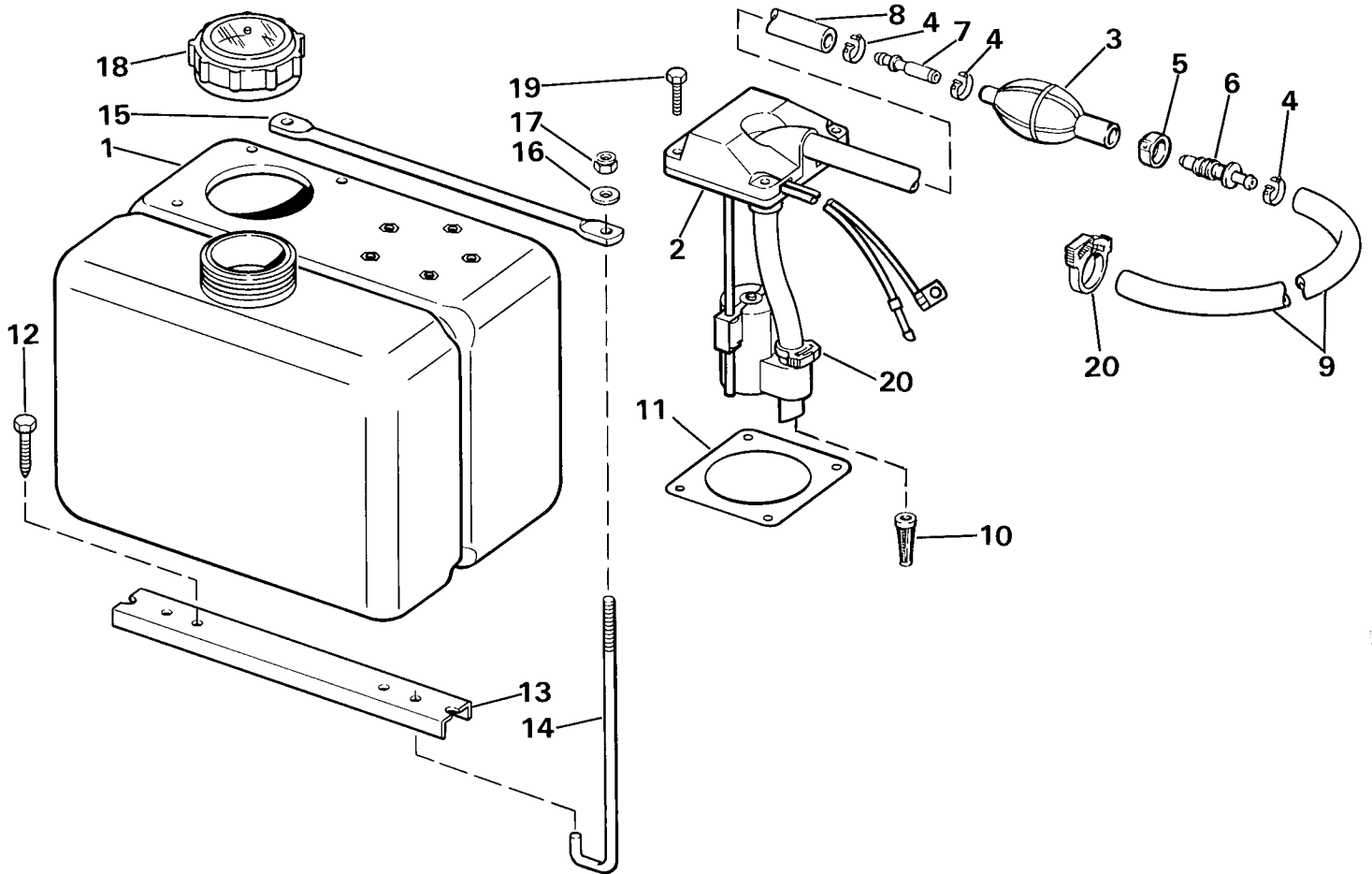
Ref.No.	P/N	Name of Part	Qty.
*	174133	REMOTE OIL FILL KIT	1
1	123678	SCREW, Mounting	3
2	174138	VENT AND DECK PLATE	1
3	124390	CAP, Oil fill	1
4	124388	GASKET	1
5	124389	TUBE	1
*	123956	FILL HOSE	AR
*	123955	VENT HOSE	AR



* Not Shown

832159

VRO™ OIL TANK KIT - 1.8 GALLON



XD0308

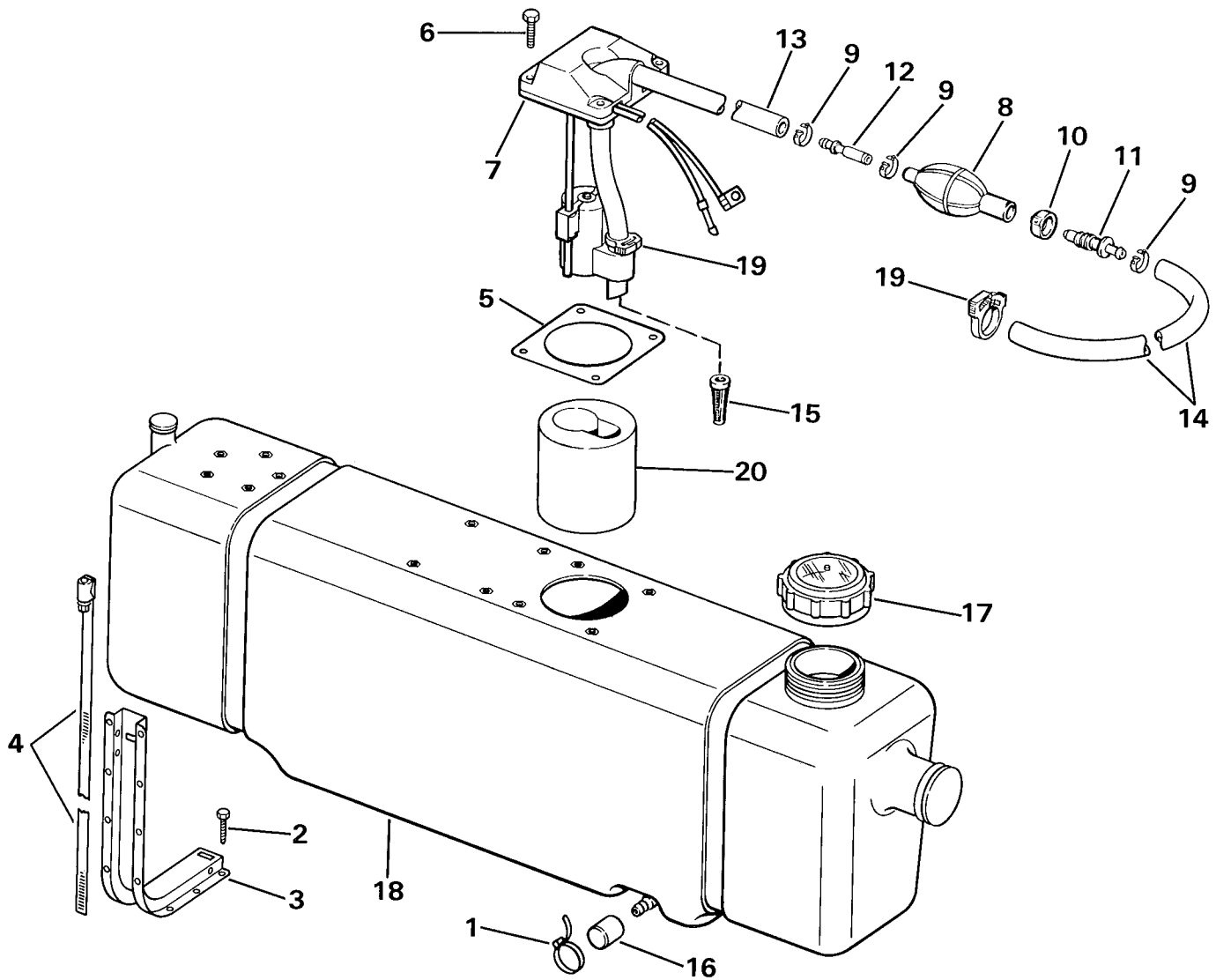
841299

Ref. No.	P/N	Name of Part	Qty.	Ref. No.	P/N	Name of Part	Qty.
*	174167	OIL TANK KIT, (1.8 gallon)	1	11	123906	GASKET	1
1	174164	OIL TANK ASSY	1	12	124073	MOUNTING SCREW	2
2	174163	OIL PICKUP ASSY	1	13	124292	MOUNTING BRACKET	1
3	393641	BULB, Primer	1	14	124291	HOOK BOLT	2
4	303596	CLAMP, Hose, small	3	15	124290	CROSS BAR	1
5	553166	CLAMP, Hose, large	1	16	121497	WASHER	2
6	383720	VALVE, Outlet	1	17	121470	NUT	2
7	383719	VALVE, Inlet	1	18	173851	CAP	1
8	†	HOSE, Short 12" long	1	19	124485	SCREW, Pickup to tank	4
9	†	HOSE, Long 120" long	1	20	322654	CLAMP, Hose	2
10	983172	FILTER, Pickup	1				

* Not Shown

† Cut Length From 319719

VRO™ OIL TANK KIT - 3.5 & 7 GALLON



XD0309

841300

Ref. No.	P/N	Name of Part	Qty.	Ref. No.	P/N	Name of Part	Qty.
*	174168	3.5 GALLON OIL TANK KIT	1	11	383720	VALVE, Outlet	1
*	174169	7 GALLON OIL TANK KIT	1	12	383719	VALVE, Inlet	1
1	124249	TIE STRAP, Drain	1	13	†	HOSE, Short, 12" long	1
2	124073	LAG SCREW	8	14	†	HOSE, Long, 120" long	1
3	124460	BRACKET	2	15	983172	FILTER, Pickup	1
4	174173	CLAMP ASSY, Tank mtg	2	16	124072	CAP, Drain	1
5	123906	GASKET, Pickup	1	17	173851	CAP, Oil tank	1
6	124485	SCREW, Pickup to tank	4	18	173857	OIL TANK, 3.5 gallon	1
7	174170	PICKUP ASSEMBLY	1	18	173878	OIL TANK, 7 gallon	1
8	393641	PRIMER BULB	1	19	322654	CLAMP, Hose	2
9	303596	CLAMP, Hose, small	3	20	124613	OIL BAFFLE	1
10	553166	CLAMP, Hose, large	1				

* Not Shown

† Cut To Length From 319719

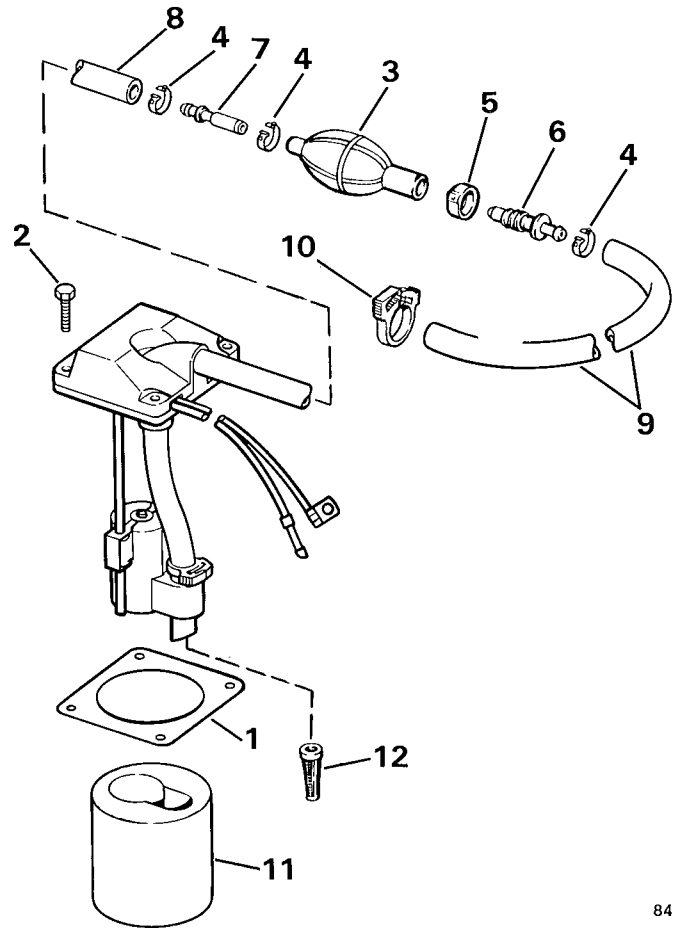
VRO™ DUAL OIL TANK PICKUP KIT

XD0269

Ref.No.	P/N	Name of Part	Qty.
*	174170	DUAL OIL TANK PUMP KIT	1
1	123906	GASKET, Pickup	1
2	124485	SCREW, Pickup to tank	4
3	393641	BULB, Primer	1
4	393641	CLAMP, Hose, small	4
5	553166	CLAMP, Hose, large	1
6	383720	VALVE, Outlet	1
7	383719	VALVE, Inlet	1
8	†	HOSE, Short, 12" long	1
9	†	HOSE, Long, 120" long	1
10	322654	HOSE, Clamp	2
11	124613	OIL BAFFLE	1
12	983172	FILTER	1

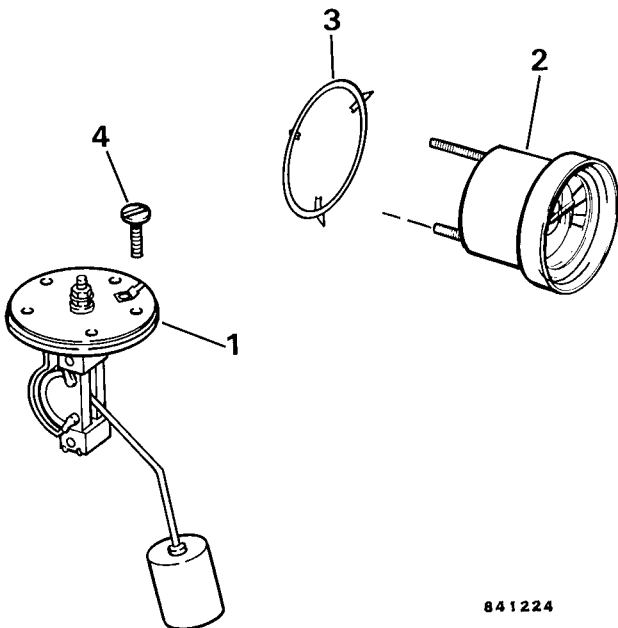
* Not Shown

† Cut To Length From 319719



841301

OIL LEVEL GAUGE & SENDING UNIT - ALL VRO™ OIL TANKS



XD0296

Ref. No.	P/N	Name of Part	Qty.
*	174198	OIL LEVEL GAUGE & SENDER	1
1	173948	SENDER UNIT	1
2	174110	GAUGE ASSEMBLY	1
3	123550	RING	1
4	124573	SCREW, Sender to tank	5

* Not Shown

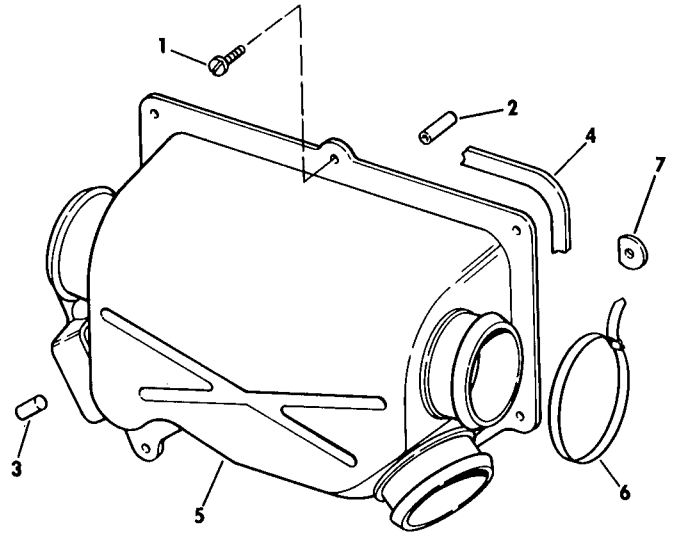
841224

AIR INLET KIT - 2.6 DUCTED

BQ36

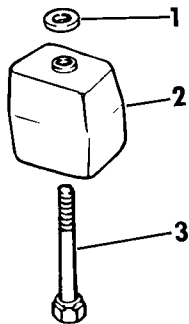
Ref. No.	P/N	Name of Part	Qty.
*	983206	AIR INLET KIT	1
1	910878	SCREW, Cover to transom	7
2	911071	CAP, Screw, transom bracket, small	6
3	910883	PLUG, Oiler lead hole	1
4	910884	SEAL, Cover to transom	1
5	910885	COVER, Transom opening	1
6	902254	TIE STRAP	3
7	911072	WASHER, Screw, transom bracket	2

* Not Shown



824171

ZINC ANODE KIT - 1.6, 2.5 & 2.6 S-TYPE



BQ37

Ref. No.	P/N	Name of Part	Qty.
*	983315	ANODE KIT	1
1	303886	WASHER	1
2	393023	ANODE, Rear & front	2
3	328096	SCREW	2

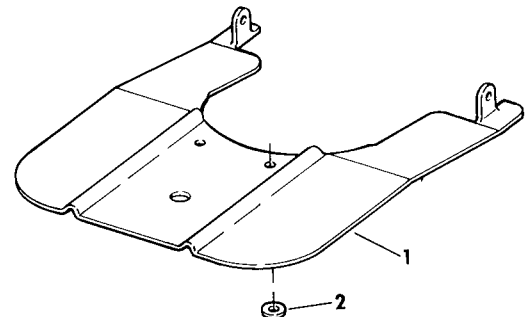
* Not Shown

834014

SPRAY PLATE KIT - 2.6 DUCTED

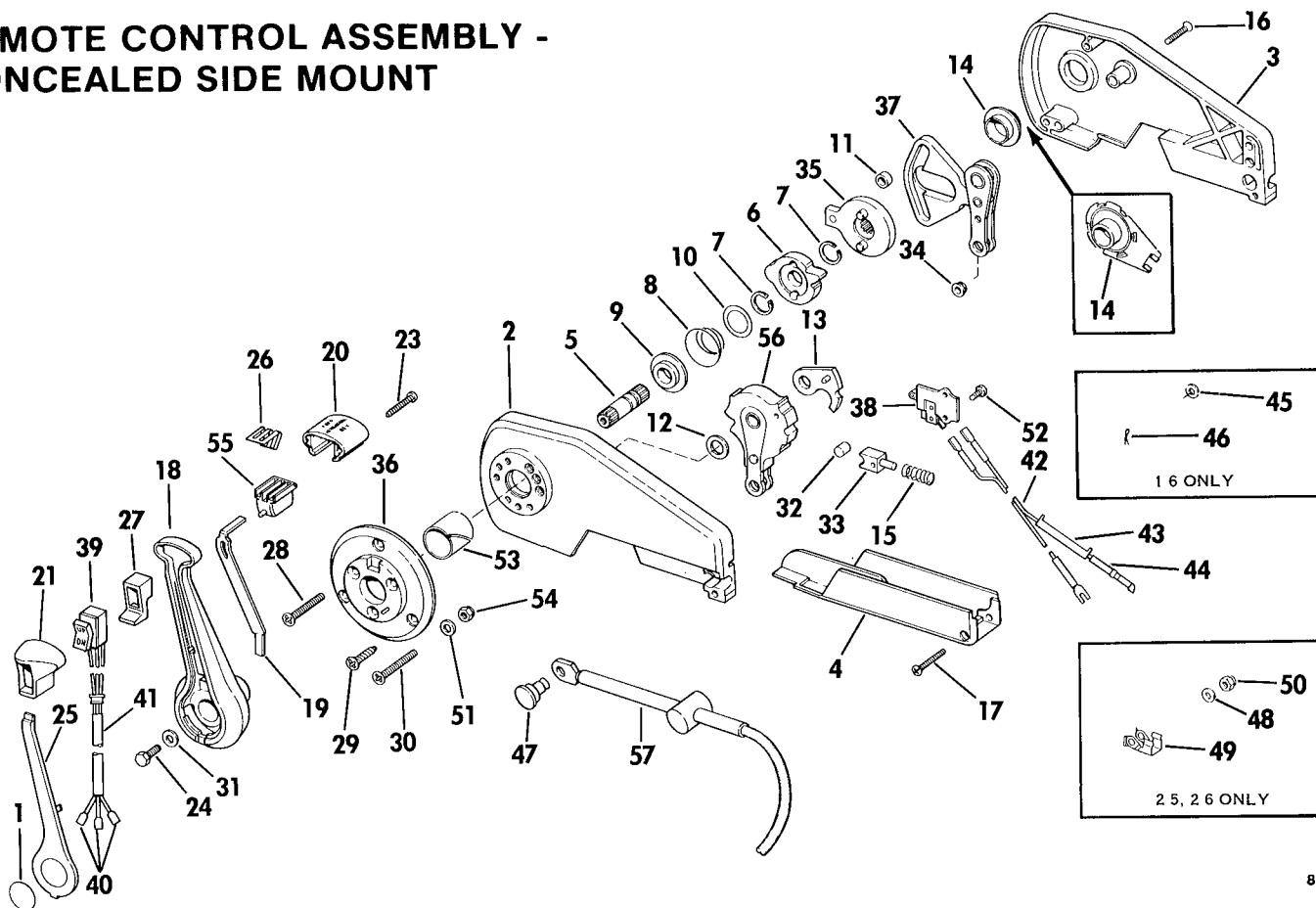
BQ38

Ref. No.	P/N	Name of Part	Qty.
1	173953	SPRAY PLATE KIT ..	1
2	305847	SPACER ..	2



842172

REMOTE CONTROL ASSEMBLY - CONCEALED SIDE MOUNT



843045

XD0300

Ref. No.	P/N	Name of Part	Qty.	Ref. No.	P/N	Name of Part	Qty.
*	982445	REMOTE CONTROL ASSY - Cncl side mt w/trim switch 1 6 only	1	31	901893	WASHER, Handle to shaft	2
*	173644	REMOTE CONTROL ASSY , 2 5, 2 6 only	1	32	123341	ROLLER, Detent	1
1	123315	APPLIQUE	1	33	123342	SHOE, Detent roller	1
2	123244	HOUSING, Control	1	34	123350	BUSHING	2
3	123245	HOUSING, Control	1	35	173571	THROTTLE HUB ASSEMBLY	1
4	173598	TRAY, Control housing	1	36	173477	MOUNTING FLANGE & PIN	1
5	123261	SHAFT, Remote control	1	37	173478	THROTTLE CAM & ARMS ASSY	1
6	123496	DRIVE GEAR, Shift	1	38	173480	NEUTRAL START SWITCH ASSY	1
7	123264	RETAINING RING, Drive gear	2	39	173648	TRIM SWITCH AND LEAD ASSY	1
8	123265	SPRING, Drive gear return	1	40	313005	TERMINAL	3
9	123266	BUSHING, Shaft to housing	1	41	510628	SLEEVE	1
10	123267	WASHER	1	42	173572	LEAD ASSY, Neutral start switch	1
11	123268	ROLLER, Throttle cam	1	43	303806	TUBING	1
12	123269	WASHER, Shift arm	1	44	308808	TERMINAL	1
13	123270	CAM, Neutral switch	1	•	982048	CABLE MOUNT HDW KIT	1
•14	123271	BUSHING, Throttle hub	1	□	173581	CABLE MOUNT HDW KIT	1
□14	173587	FRICITION CONTROL ASSY	1	•45	303887	WASHER	2
15	909859	SPRING, Detent	1	•46	305650	COTTER PIN	2
16	123273	SCREW, Control housing	3	47	323776	CLEVIS PIN, Snap-in cable	2
17	123274	SCREW, Tray to housing	1	□48	306561	WASHER	2
18	123279	HANDLE, Side mount	1	□49	123140	RETAINER CLIP	1
19	123281	PLATE, Neutral lock	1	□50	554427	NUT	2
20	123531	KNOB, Lockout button	1	51	302407	WASHER, Mounting screw	3
21	123535	KNOB, Trim switch	1	52	308545	SCREW, To housing	1
23	123533	SCREW, Knob to handle	2	53	123495	BUSHING	1
24	123290	SCREW, Handle to shaft	1	*	308808	TERMINAL	1
25	123293	COVER, Handle	1	54	900402	LOCKNUT, Mounting screw	3
26	123443	SPRING, Neutral lock	1	55	173499	LOCKOUT BUTTON ASSEMBLY	1
27	123536	GROMMET, Trim switch	1	56	173542	SHIFT GEAR & ARMS ASSY	1
28	123312	SCREW, Mounting flange	3	57	†	OMC SNAP-IN OR OMC LONG-LIFE THROTTLE AND SHIFT CABLES	AR
29	123316	SCREW, Flange to boat	3				
30	123317	SCREW, Flange to boat	3				

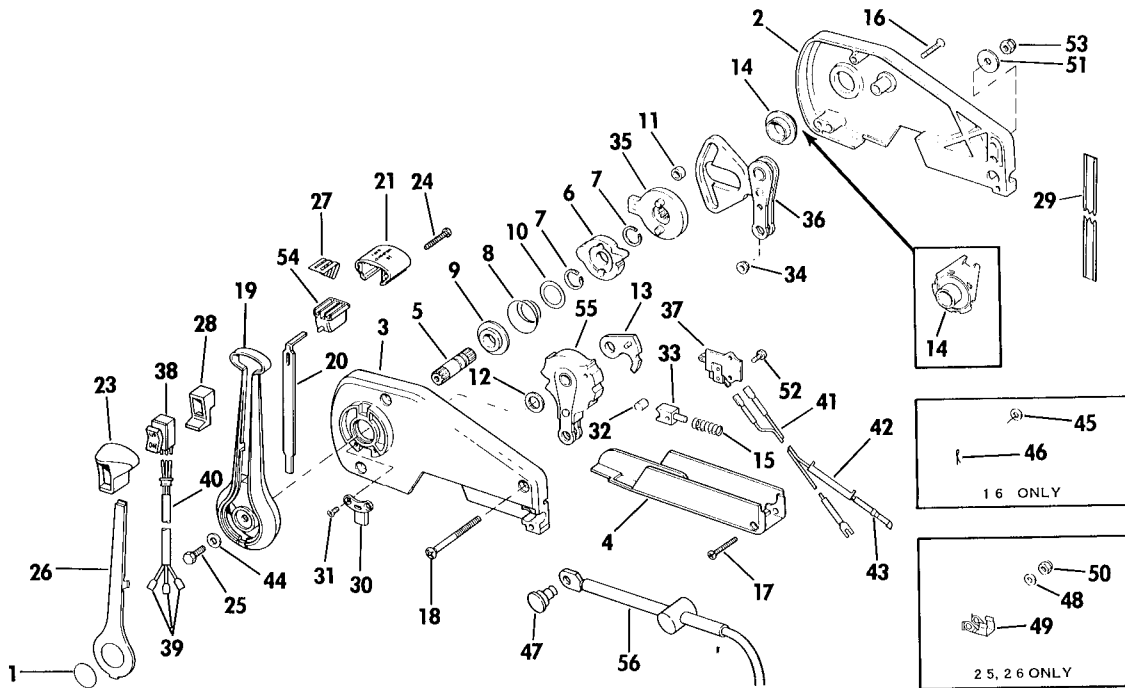
* Not Shown

† See Page 22

• Use With 982445 Control Assy

□ Use With 173644 Control Assy

REMOTE CONTROL ASSEMBLY - SINGLE LEVER



XD0301

843046

Ref. No.	P/N	Name of Part	Qty.	Ref.No.	P/N	Name of Part	Qty.
*	982443	REMOTE CONTROL ASSY - SIDE MT, Sgl lever w/trim 1 6 only	1	31	123340	SCREW, Retainer to housing	2
*	173642	REMOTE CONTROL ASSY , 2 5, 2 6 only		32	123341	ROLLER, Detent	1
1	123315	APPLIQUE	1	33	123342	SHOE, Detent roller	1
2	123245	HOUSING, Starboard	1	34	123350	BUSHING	2
3	123250	HOUSING, Port	1	35	173571	THROTTLE HUB ASSEMBLY	1
4	173598	TRAY, Control housing	1	36	173478	THROTTLE CAM AND ARM ASSEMBLY	1
5	123261	SHAFT, Remote control	1	37	173480	NEUTRAL START SWITCH ASSEMBLY	1
6	123496	DRIVE GEAR, Shift	1	38	173648	TRIM SWITCH AND LEAD	1
7	123264	RETAINING RING	2	39	313005	TERMINAL	3
8	123265	SPRING, Drive gear return	1	40	510628	SLEEVE	1
9	123266	BUSHING, Shaft to housing	1	41	173572	LEAD ASSEMBLY, Neutral start switch	1
10	123267	WASHER, Return spring	1	42	303806	TUBING	1
11	123268	ROLLER, Throttle cam	1	43	308808	TERMINAL	1
12	123269	WASHER, Shaft arm	1	44	901893	WASHER, Handle to shaft	1
13	123270	CAM, Neutral switch	1	•*	982048	CABLE MOUNT HDW KIT	1
•14	123271	BUSHING, Throttle hub	1	□*	173581	CABLE MOUNT HDW KIT	1
□14	173587	FRICTION CONTROL ASSY	1	•45	303887	WASHER	2
15	909859	SPRING, Detent	1	•46	305650	COTTER PIN	2
16	123273	SCREW, Control housing	3	47	323776	CLEVIS PIN, Snap in cable	2
17	123274	SCREW, Tray to housing	1	□48	306561	WASHER	2
18	123275	SCREW, Control mounting	3	□49	123140	RETAINER CLIP	1
19	123278	HANDLE	1	□50	554427	NUT	2
20	123280	PLATE, Neutral lock	1	51	302407	WASHER, Mounting screw	3
21	123531	KNOB, Lockout button	1	52	308545	SCREW, Switch to housing	1
23	123535	KNOB, Trim switch	1	*	308808	TERMINAL	1
24	123533	SCREW, Knob to handle	2	53	900402	LOCKNUT, Mounting screw	3
25	123290	SCREW, Handle to shaft	1	54	173499	LOCKOUT BUTTON ASSEMBLY	1
26	123610	COVER, Handle, with trim	1	55	173542	SHIFT GEAR AND ARMS ASSEMBLY	1
27	123443	SPRING, Neutral lock	1	56	†	OMC SNAP-IN OR OMC LONG-LIFE THROTTLE AND SHIFT CABLES	AR
28	123536	GROMMET, Trim switch	1				
29	123387	TRIM STRIP	1				
30	123324	RETAINER, Trim leads	1				

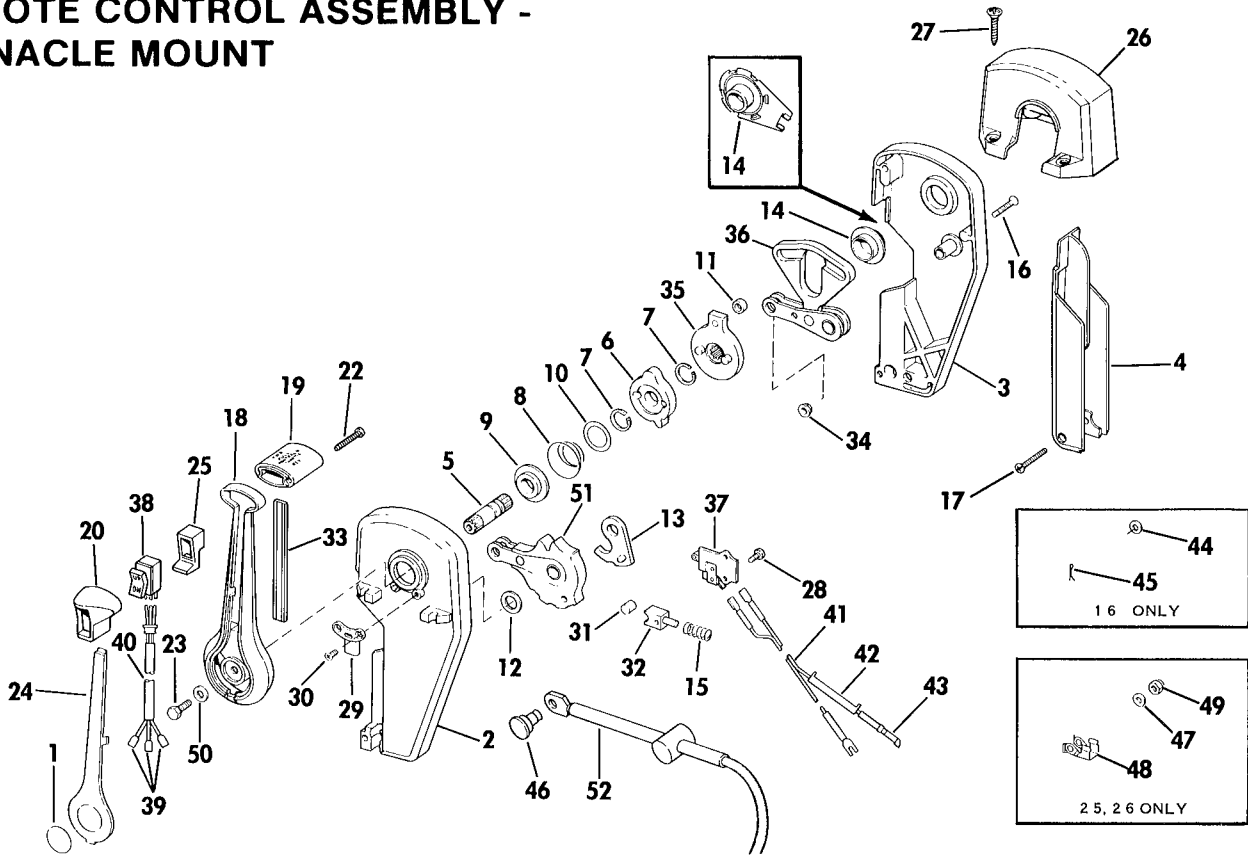
* Not Shown

† See Page 22

• Use With 982443 Control Assy

□ Use With 173042 Control Assy

REMOTE CONTROL ASSEMBLY - BINNACLE MOUNT



XD0302

843048

Ref. No.	P/N	Name of Part	Qty.	Ref. No.	P/N	Name of Part	Qty.
*	982447	REMOTE CONTROL ASSY - BNCL MT, Sgl lever w/trim 1 6 only	1	28	308545	SCREW, Switch to housing	1
*	173646	REMOTE CONTROL ASSY , 2 5, 2 6 only	1	29	123324	RETAINER, Trim leads	1
1	123315	APPLIQUE	1	30	123340	SCREW, Retainer	1
2	123246	HOUSING, Control	1	31	123341	ROLLER, Detent	1
3	123247	HOUSING, Control	1	32	123342	SHOE, Detent roller	1
4	173598	TRAY	1	33	123343	TRIM INSERT	1
5	123261	SHAFT, Remote control	1	34	123350	BUSHING	2
6	123496	DRIVE GEAR, Shift	1	35	173571	THROTTLE HUB ASSEMBLY	1
7	123264	RETAINING RING, Drive gear	2	36	173478	THROTTLE CAM & ARM ASSY	1
8	123265	SPRING, Drive gear	1	37	173480	NEUTRAL START SWITCH ASSY	1
9	123266	BUSHING, Shaft to housing	1	38	173648	TRIM SWITCH & LEAD ASSY	1
10	123267	WASHER, Return spring	1	39	313005	TERMINAL	3
11	123268	ROLLER, Throttle cam	1	40	510628	SLEEVE	1
12	123269	WASHER, Shift arm	1	41	173572	LEAD ASSY, Neutral start switch	1
13	123270	CAM, Neutral switch	1	42	303806	TUBING	1
•14	123271	BUSHING, Throttle hub	1	43	308808	TERMINAL	1
□14	173587	FRICTION CONTROL ASSY	1	•*	982048	CABLE MOUNT HDW KIT	1
15	909859	SPRING, Detent	1	□*	173581	CABLE MOUNT HDW KIT	1
16	123273	SCREW, Control housing	3	•44	303887	WASHER	2
17	123274	SCREW, Tray to housing	1	•45	305650	COTTER PIN	2
18	123278	HANDLE	1	46	323776	CLEVIS PIN, Snap in cable	2
19	123539	KNOB, Binnacle	1	□47	306561	WASHER	2
20	123535	KNOB, Trim switch	1	□48	123140	RETAINER CLIP	1
22	123533	SCREW, Knob to handle	2	□49	554427	NUT	2
23	123290	SCREW, Handle to shaft	1	50	901893	WASHER, Screw, handle	1
24	123610	COVER, Handle	1	51	173542	SHIFT GEAR & ARMS ASSY	1
25	123536	GROMMET, Trim switch	1	*	308808	TERMINAL	1
26	123320	COVER	1	52	†	OMC SNAP-IN OR OMC LONG-LIFE THROTTLE AND SHIFT CABLES	AR
27	123322	SCREW, Control mounting	4				

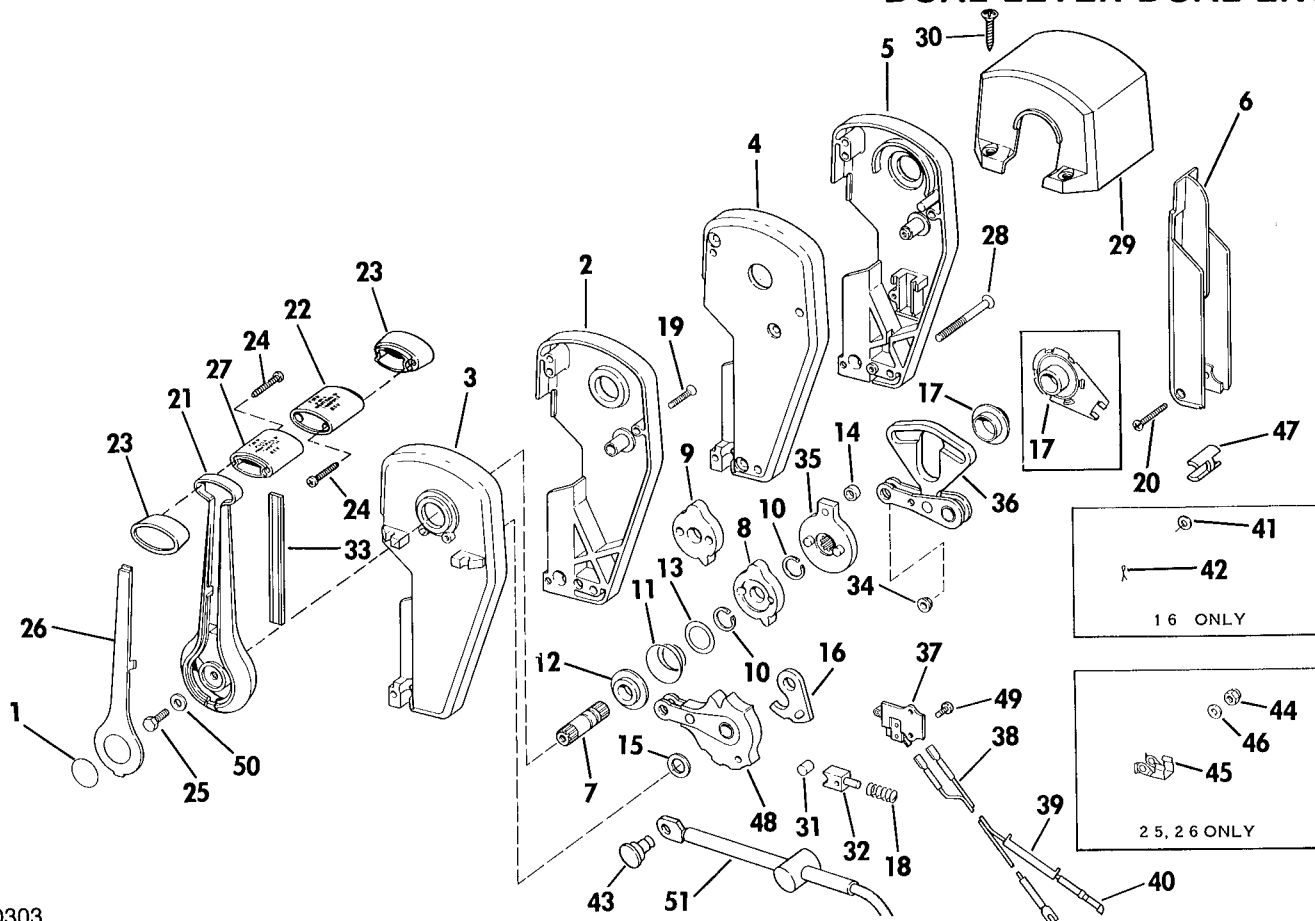
* Not Shown

† See Page 22

• Use With 982447 Control Assy

□ Use With 173646 Control Assy

REMOTE CONTROL ASSEMBLY - BINNACLE MOUNT DUAL LEVER DUAL ENGINE



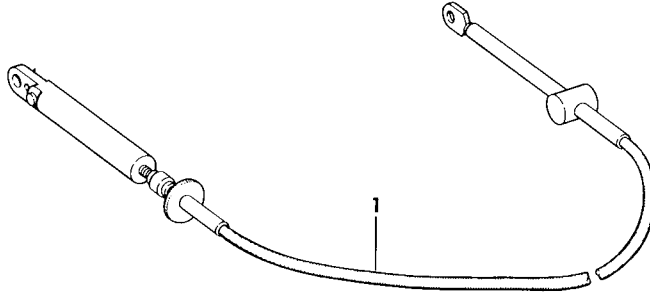
XD0303

843047

Ref. No.	P/N	Name of Part	Qty.	Ref. No.	P/N	Name of Part	Qty.
*	982448	REMOTE CONTROL ASSY - BINNACLE MT, Dual lever 1 6 only	1	27	123540	KNOB, Binnacle, port	1
□	173647	REMOTE CONTROL ASSY , 2 5, 2 6 only	2	28	123310	SCREW, Binnacle, assembly	3
1	123315	APPLIQUE	2	29	123321	COVER, Mechanism	1
2	123245	HOUSING	1	30	123322	SCREW, Control mounting	4
3	123246	HOUSING	1	31	123341	ROLLER, Detent	2
4	123248	HOUSING	1	32	123342	SHOE, Detent roller	2
5	123249	HOUSING	1	33	123343	TRIM, Insert	2
6	173598	TRAY, Control housing	2	34	123350	BUSHING	4
7	123261	SHAFT, Remote control	2	35	173571	THROTTLE HUB ASSEMBLY	2
8	123496	DRIVE GEAR, Starboard	1	36	173478	THROTTLE CAM AND ARMS ASSEMBLY	2
9	123497	DRIVE GEAR, Port	1	37	173480	NEUTRAL START SWITCH	2
10	123264	RETAINING RING	4	38	173572	LEAD ASSEMBLY	2
11	123265	SPRING, Drive gear return	2	39	303806	TUBING	1
12	123266	BUSHING, Shaft to housing	2	40	308808	TERMINAL	1
13	123267	WASHER, Return spring	2	•*	982048	CABLE MOUNTING HARDWARE KIT	2
14	123268	ROLLER, Throttle cam	2	□*	173581	CABLE MTG HARDWARE KIT	2
15	123269	WASHER, Shaft arm	2	•41	303887	WASHER	2
16	123270	CAM, Neutral switch	2	•42	305650	COTTER PIN	2
•17	123271	BUSHING, Throttle hub	2	43	323776	CLEVIS PIN, Snap-in cable	2
□17	173587	FRICITION CONTROL ASSY	2	□44	554427	NUT	2
18	909859	SPRING, Detent	2	□45	123140	RETAINER CLIP	1
19	123273	SCREW, Control housing	6	□46	306561	WASHER	2
20	123274	SCREW, Tray to housing	2	47	123439	SPACER, Control cable	1
21	123278	HANDLE, Side mount	2	48	173542	SHIFT GEAR AND ARM ASSY	2
22	123539	KNOB, Binnacle, starboard	1	49	308545	SCREW	2
23	123532	END CAP, Knob port & starboard	2	*	308808	TERMINAL	2
24	123533	SCREW, Knob to handle	4	50	901893	WASHER	2
25	123290	SCREW, Handle to shaft	2	51	†	OMC SNAP-IN OR OMC LONG-LIFE THROTTLE AND SHIFT CABLES	AR
26	123292	COVER, Handle	2				

* Not Shown † See Page 22 • Use With 982448 Control Assy □ Use With 173647 Control Assy

OMC SNAP-IN CABLES



XD0168

94050

Ref. No.	P/N	Name of Part	Qty.	Ref. No.	P/N	Name of Part	Qty.
1	173110	CABLE ASSEMBLY, 10 ft	1	1	173126	CABLE ASSEMBLY, 26 ft	1
1	173111	CABLE ASSEMBLY, 11 ft	1	1	173128	CABLE ASSEMBLY, 28 ft	1
1	173112	CABLE ASSEMBLY, 12 ft	1	1	173130	CABLE ASSEMBLY, 30 ft	1
1	173113	CABLE ASSEMBLY, 13 ft	1	1	173132	CABLE ASSEMBLY, 32 ft	1
1	173114	CABLE ASSEMBLY, 14 ft	1	1	173134	CABLE ASSEMBLY, 34 ft	1
1	173115	CABLE ASSEMBLY, 15 ft	1	1	173136	CABLE ASSEMBLY, 36 ft	1
1	173116	CABLE ASSEMBLY, 16 ft	1	1	173138	CABLE ASSEMBLY, 38 ft	1
1	173117	CABLE ASSEMBLY, 17 ft	1	1	173140	CABLE ASSEMBLY, 40 ft	1
1	173118	CABLE ASSEMBLY, 18 ft	1	1	173142	CABLE ASSEMBLY, 42 ft	1
1	173119	CABLE ASSEMBLY, 19 ft	1	1	173144	CABLE ASSEMBLY, 44 ft	1
1	173120	CABLE ASSEMBLY, 20 ft	1	1	173146	CABLE ASSEMBLY, 46 ft	1
1	173122	CABLE ASSEMBLY, 22 ft	1	1	173148	CABLE ASSEMBLY, 48 ft	1
1	173124	CABLE ASSEMBLY, 24 ft	1	1	173150	CABLE ASSEMBLY, 50 ft	1

United States of America

Outboard Marine Corporation
100 Sea Horse Drive
Waukegan, Illinois 60085 U.S.A.
312/689-5630

Canada

Outboard Marine Corporation of Canada, Ltd.
910 Monaghan Road
Peterborough, Ontario, Canada
K9J7B6 (postal code)
705/876-2699

Caribbean, Mexico, Central America, South America

Outboard Marine International, Inc.
75 N.E. 179th Street
Miami, Florida 33162 U.S.A.
305/652-2311

Europe, Middle East, Africa

Outboard Marine Belgium, N.V
Pathoekeweg 120
8000 Brugge, Belgium
050/31.51 87

Australia, New Zealand, Southwest Pacific

Outboard Marine Australia Pty. Ltd
84 Canterbury Road
Bankstown, New South Wales
Australia, Sydney 70-0701

Bangladesh, Brunei, Burma, Guam, Hong Kong, India, Indonesia, Japan, Korea, Macau, Malaysia, Maldives, Micronesia, Pakistan, People's Republic of China, Philippines, Singapore, Sri Lanka, Taiwan, Thailand

Outboard Marine Asia, Ltd.
T.Y.T.L. 54
Tsing Yi Island, New Territories
Hong Kong



A PRODUCT GROUP OF OUTBOARD MARINE CORPORATION

3145 CENTRAL AVENUE ■ WAUKEGAN, ILLINOIS ■ 60085